



SSS SIEDLE

2020
2021

Order catalogue

For the trade, installers,
architects and planners

artin Overgard

SSS SIEDLE

Colours, materials and surface finishes and screen contents can only be reproduced as an approximation. The way in which they are portrayed here is consequently intended as a non-binding guideline only. The information in this document is without liability. Subject to technical and design changes and updates.

Delivery time

For information on delivery times for the individual products, please refer to the current price list.

General Terms and Conditions of Works and Services

Our terms and conditions of sale and delivery apply exclusively.

Intercom systems 10

Siedle sets 96

Siedle Compact 108

Siedle Vario 112

Siedle Classic 202

Siedle Steel 230

Replacement and modernization 264

Access control 282

Servicing 292



News

Siedle camera	4
Siedle Compact	6
Smart Gateway starter kit	6
Smart Gateway 2.0	7
New products at a glance	8

Siedle camera

Full width: Camera 180



The camera 180 captures almost the entire area in front of and to the side of the entrance, including at night thanks to its true day/night technology. Nothing and no-one remains hidden. High-grade optical and electronic components as well as specially developed algorithms for image rectification minimize the fish-eye effect. Despite the wide pick-up range, visitors remain clearly recognisable at any pick-up angle.

Individual positioning at the entrance for an optimum pick-up position even in challenging mounting situations: A full screen and nine picture excerpts with extended pick-up angle in the edge area are available for selection.

Automatic backlight compensation and an electric dimmer function ensure brilliant colour reproduction and image quality.



A discreet, new look for the cameras in the 130 / 180 model series and improved image reproduction represent significant enhancement.

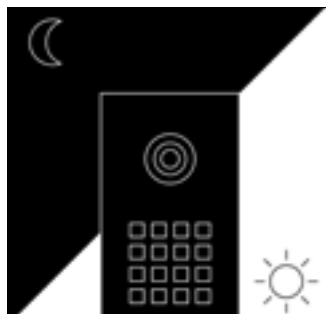
All cameras are available for the Siedle Vario, Classic and Steel design lines. They are available for the In-Home bus and Access systems as well as for system-independent applications (coaxial).

Anyone who preferred the previous look for aesthetic or security reasons can stick with the previous camera, which still remains in the portfolio.



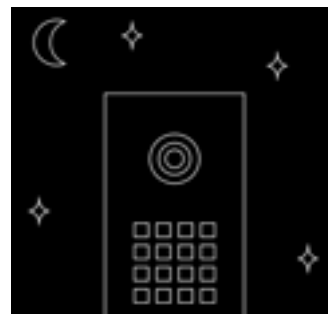
Large pick-up angle

The camera 130 has the majority of the entrance area in its sights. The field of vision of the camera 180 stretches almost from wall to wall, and reliably picks up even small children or wheelchair users.



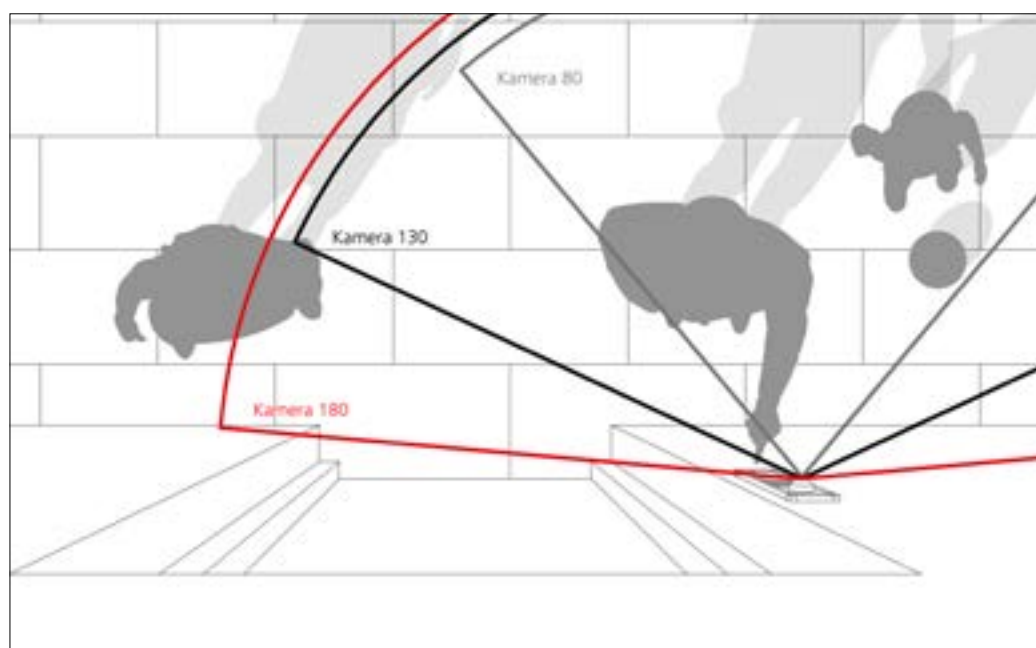
True day/night

All cameras combine high colour fidelity by day with excellent night vision. During the night, the modern technology uses the light's infrared spectrum, and filters it out by day.



Night vision

All Siedle cameras come with automatic day/night switch-over and a high level of light sensitivity.



The structural circumstances at the entrance area can differ greatly. Visitors may not always be standing directly in front of the door. This is why a wider video camera pick-up angle is also a safety feature. The cameras from Siedle keep everything in view even in difficult situations. If required, they can display extremely wide picture excerpts, both on the horizontal and the vertical. This makes for improved convenience and security, as well as simplifying planning.

Siedle Compact Smart Gateway starter kit



Surface mounted

Surface mounting is the method of choice where chasing into large areas of wall is not possible or desirable, whether due to listed building status or the use of special materials, or so as not to break into a cohesive insulating building envelope.



Flush-mounting

The two-part design gives Siedle Compact a slender look. The solid front panel is fitted very close to the wall.

Good design should be affordable for all. Which is why the Siedle Compact is now available in a new design line: door communication with stainless steel front and proven technology for a reasonable price. The new Siedle Compact design line is available for flush mounting and surface mounting.

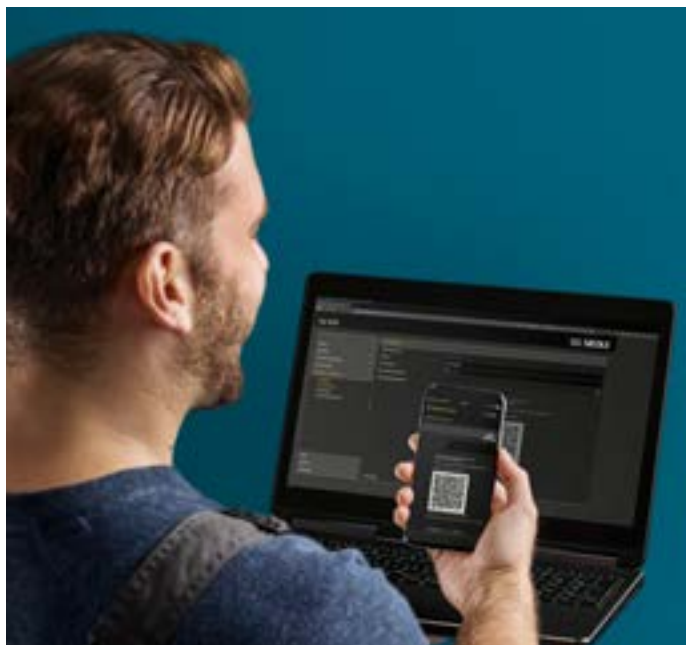


Smart Gateway starter kit

The new Smart Gateway starter kit means it is more cost effective than ever before to access the IP world! And with the new Smart Gateway 2.0, commissioning is child's play.

Smart Gateway 2.0

Smart. Secure. Siedle.



Mobile door communication via smartphone can now be quickly and easily implemented with the Smart Gateway (SG 150) and the Smart Gateway Professional (SG 650): The Siedle app can be commissioned in just a few seconds by scanning a QR code – no special knowledge needed.



Siedle app for iPhone or iPad as of iOS 11.4

Siedle app for smartphones as of Android 7



User data is kept secure during data transfer in the case of mobile door communication via the Siedle server.

The Siedle server is operated in German data centres and is certified according to ISO 27001 (information security management system).

New products at a glance



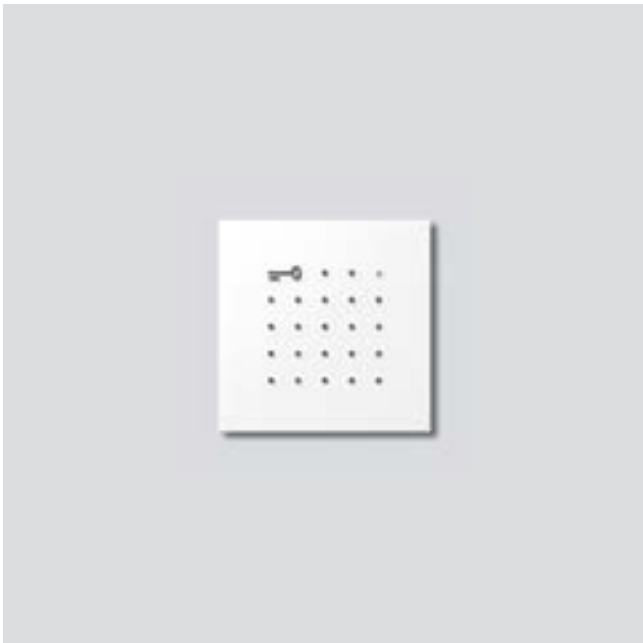
Siedle camera

Page 36, 62



Siedle Compact

Page 108



Electronic-key reading module

Page 282



Access indoor station

Page 64



Smart Gateway 2.0

Page 46



Siedle App

Page 90



Smart Gateway starter kit

Page 104



Siedle IQ indoor stations with WLAN

Page 82, 281

Intercom systems

System selection	12
In-Home bus	14
Siedle Access	52
1+n technology	74
IP technology	86

System selection

**The specialist decides!
But always: on a project-specific basis!**

For new installations, Siedle offers three systems, the wire-saving 1+n technology, the modern In-Home bus and the IP system Siedle Access Professional. Each type of technology has its own specific strengths and benefits. Only a specialist partner on site can decide which system is most suitable for the specific application. The following pages provide useful information to help you choose a suitable system.

However, if your question isn't answered here, please contact your local Siedle Exhibition and Training Centre or contact the Headquarters in Furtwangen directly – we would be pleased to assist you.

1+n technology

- Low-cost maintenance/inspection
- High degree of servicing/inspection convenience
- Fail-safe design: In case of a system failure in individual apartments, the remaining system generally remains up and running
- Fast, simple troubleshooting even in case of locked apartments, generally possible without problems from the door loudspeaker
- Devices can be exchanged without loss of programming
- Commissioning without programming effort

In-Home bus

- Low-cost installation
- High degree of installation reliability thanks to polarity-free bus-technology
- Individual solution option with a wide scope of functions
- Optimum flexibility in case of later function upgrades
- Commissioning with Plug+Play*
- Convenient system configuration - system documentation and more by PC software

Access Professional

- Compatible with globally uniform network standards
- Flexible IP communication system
- Project-specific extendable functional scope
- Fast and simple planning
- Complex switching and control functions, also via KNX
- Connection to third-party system via the server
- Remote maintenance and updates possible

* This applies to the assignment of the in-house telephones to the call buttons. Extensions of the basic functions, e.g. parallel call or switch and control functions, can be programmed in addition manually or by PC.

System performance		1+n technology	In-Home bus	Access Professional
Technology	Multi-wire	X		
	2-wire bus technology		X	
	IP technology			X
Conductor routing	Star formation installation	X		
	Bus installation		X	
	Structured wiring in accordance with EN 50173			X
Exchangeable cores			X	
Conductor material	Low current conductor YR	X	X	
	J-Y(St)Y		X	
	Twisted Pair min. CAT5			X
Door release actuation time	Fixed at 3 seconds	X	X	
	Can be freely configured (0.4 sec - 120 min) (3-second default setting)			X
Programming necessary on - commissioning - unit exchange			X	X
Plug+Play programming			X	
One-man commissioning		X	X	X
No. of door stations	max. 8	X		
	max. 225		X	
	max. 640			X
Number of system users	max. 500	X		
	max. 465		X	
	max. 640			X
Speech channels (if appl. with suppl. units)	1 (plus 1 per ETC 602-... + GC 612-...)	X		
	max. 15 (1 per line)		X	
	max. 25			X
Video channels (if appl. with suppl. units)	max. 15 (1 per line)		X	
	max. 25			X
Audio range (with 0.8 mm dia.)	500 m	X		
	300 m per line 900 m across lines		X	
	Unlimited *			X
Video range (with 0.8 mm dia.)	150 m per branch with J-Y(St)Y 300 m across lines		X	
	Unlimited *			X
Conductor length	2500 m	X		
	1500 m per line		X	
	Unlimited *			X
Connection to TC system	via DCA 612-...	X		
	via DCA 650-..., SG 150-..., SG 650-...		X	
	directly (Network)			X
Link to the world of data networks	via SG 150-..., SG 650-...		X	
	directly			X
App link	via SG 150-..., SG 650-...		X	
	directly			X

*** Note**

Details and further information can be found in the relevant system manuals.

Intercom systems**In-Home bus**

Commissioning concept	16
Order overview	18

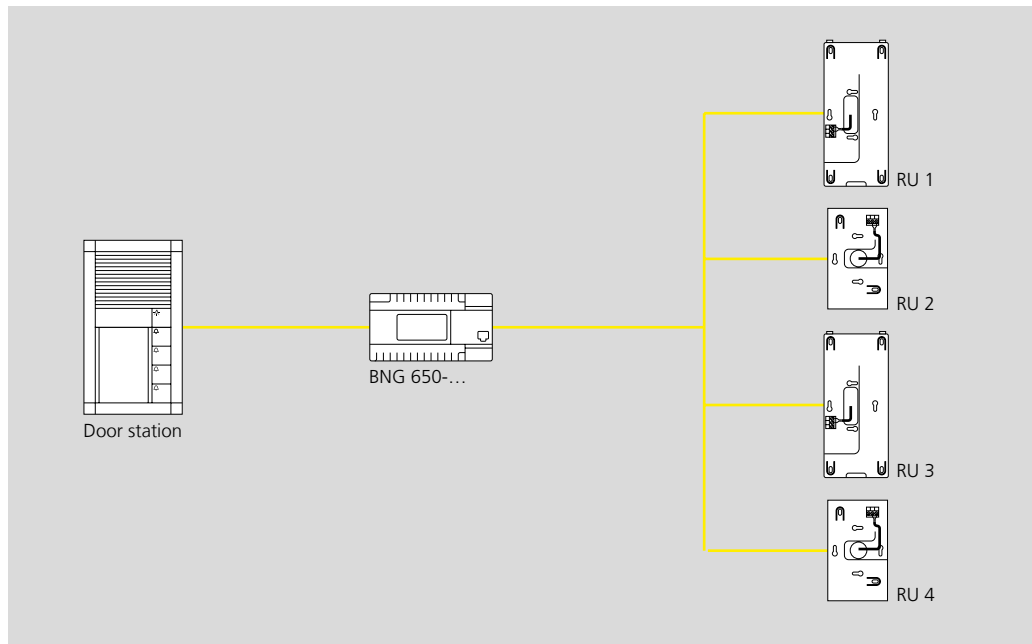
Audio

System house/performance features	20
Door loudspeakers	22
Call button modules	23
Bus indoor devices plug+play	24
Accessories	25
Supply/control units	26
Switching/control	28
DoorCom Analog telephone interface	29
System examples	30

Video

System house/performance features	32
Door loudspeakers	34
Call button modules	35
Cameras	36
Bus indoor devices plug+play	38
Accessories	39
Supply/control units	40
Distribution list/Diverter	42
Switching/control	43
DoorCom Analog telephone interface	44
IP gateway	46
System examples	50

Commissioning concept
Automatic programming plug+play



1. The installer mounts and wires the door station, bus line rectifiers and base plates of the bus indoor stations.

The term "Plug+Play" comes from the computer sector and denotes equipment which is ready to be simply plugged in and used. No configuration, no programming. Precisely the same is meant by the term at Siedle. For programming and commissioning an In-Home bus system with the new components, there is now nothing further required. No second person to assist, no special expertise, no PC, no other devices.

"Plug+Play" applies to the most important programming, the assignment of call stations to call buttons. Extensions, for instance parallel call or switching and control functions are additionally programmed manually or by PC – also at a later date.

Hybrid operation with predecessor models is usually possible without problems, but this type of combined system will need to be programmed using the previous methods (manually or software-aided).

Conditions for Plug+Play:

Automatic programming only works for systems composed completely of the new generation of devices:

- AIB/VIB 150-...
- BTS/BTC/BFC 850-...
- BTSV/BTCV 850-...
- BVPC 850-...
- BNG/BVNG 650-...
- BTLM 650-04
- BTLM 651-0
- BTLE 051-04
- CA/BCV 850-...
- CAU/BCVU 850-...



2. He presses the programming button for five seconds at the bus line rectifier. The system is now in the programming mode.

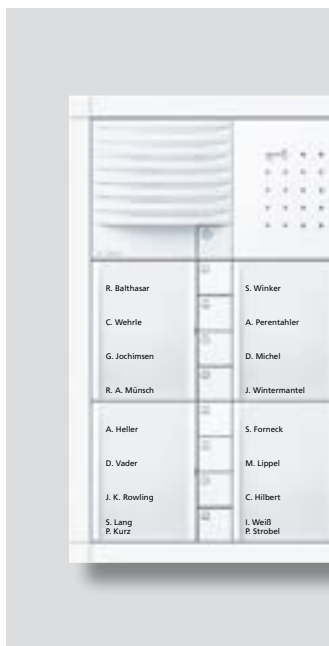


3. The installer now goes through the apartments and clips the bus indoor stations onto the base plates. Without the need to use tools. Every new indoor station logs onto the system and is programmed from top to bottom to the next free call button. Automatically.



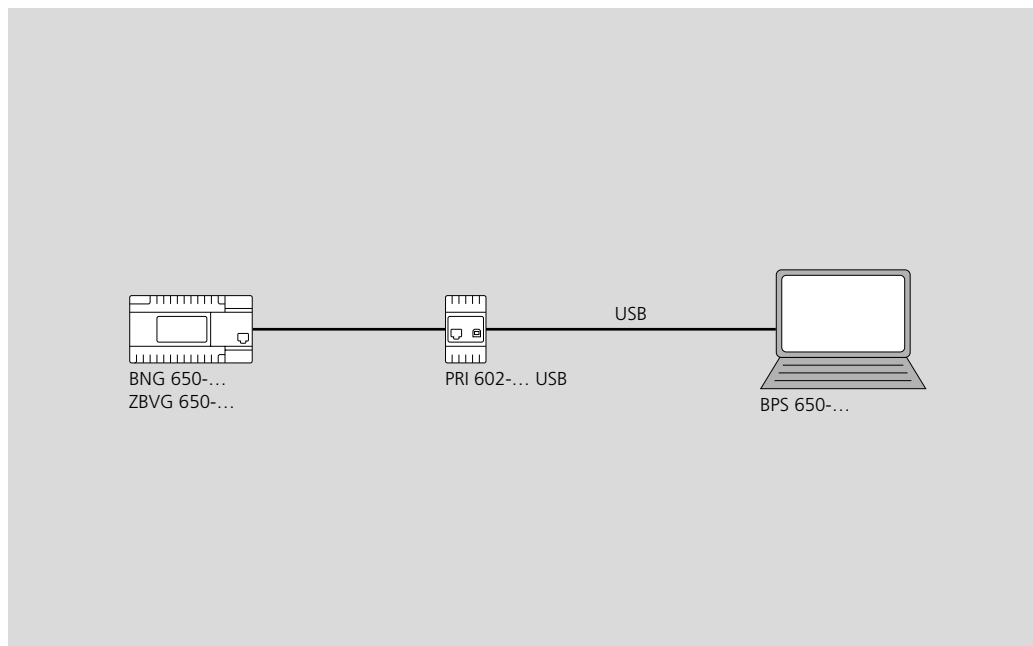
4. Finally, the installer presses the programming button at the bus line rectifier again. Finished.

Manual programming



Even using manual programming (Teach-In) the In-Home bus can be conveniently and cheaply programmed by only a single installer. This entails activating all devices in turn and assigning them the relevant functions. Compared to automatic Plug+Play programming, additional functions such as parallel or internal calls can also be programmed. Manual programming can even be carried out using the storey call button: an added benefit if not all the residents are at home.

Programming with PC



Programming using programming software BPS 650 is the right choice for larger, more complex systems. The entire functionality of the In-Home bus is available: Group formation, Video scan mode, Doormatic, LED status displays, collective and group calls, etc. Despite the wealth of functional features, programming always remains simple and easily manageable. The BPS also simplifies documentation, maintenance and upgrading of the system, as the system data is saved and can be used again at any time – and exporting already installed systems is also possible.

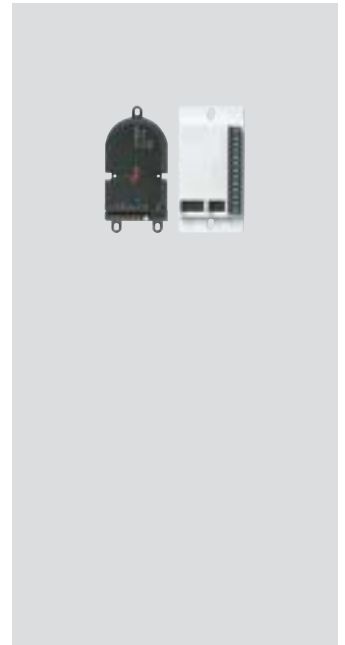
Order overview



Siedle Compact
See page 108



Siedle Vario
See page 112



Custom-fit door loudspeaker
See page 22

**Internal call stations
Audio**



AIB 150-01



BTS 850-02



BTC 850-02

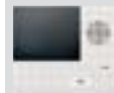


BFC 850-0



BNS 750-02

**Internal call stations
Video**



VIB 150-0



BTSV 850-03



BTCV 850-03



BVPC 850-0



A 180-...0



A 180-...1

(In conjunction with the Smart Gateway)

Power supply



BNG 650-0



BVNG 650-0



NG 602-01



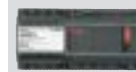
TR 602-01



TR 603-0



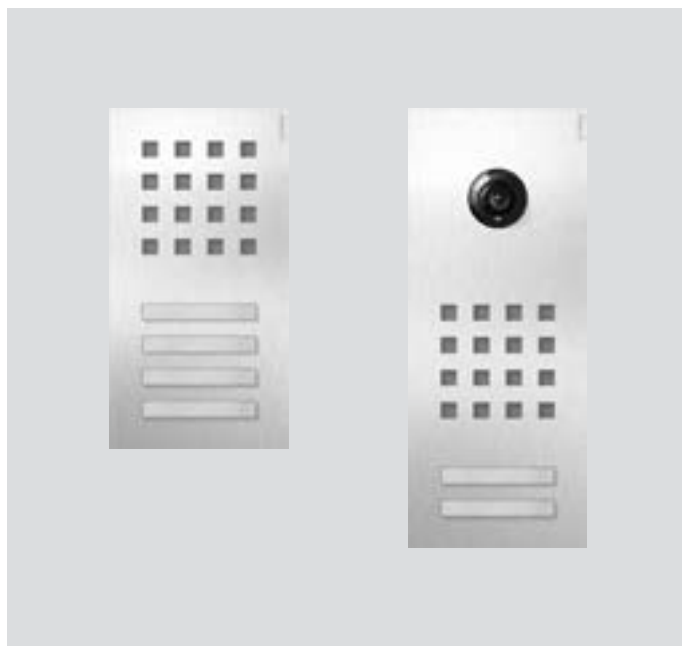
LNG 600-0



VNG 602-02



Siedle Classic
See page 202



Siedle Steel
See page 230

Control and signalling



BSE 651-0



BEM 651-0



BSE 650-02



BEM 650-02



BSM 650-02

Interfaces



DCA 650-02



DCSF 600-0



SG 650-0



SG 150-0



BVD 650-0



BVM 650-0



BIM 650-02

PC programming



PRI 602-01 USB



ZBVG 650-0



BPS 650-0

Distribution list / Diverters



BAVU 652-0



BVVU 652-0



BVVS 652-0



BVVU 650-0

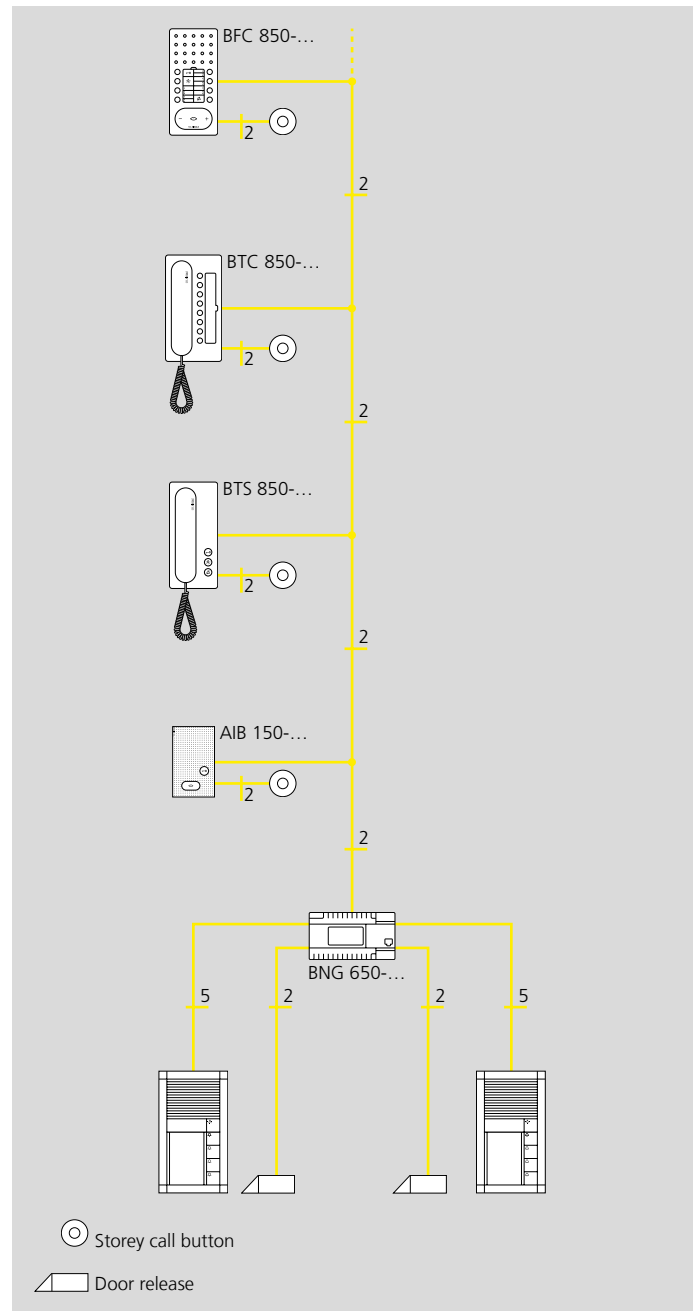
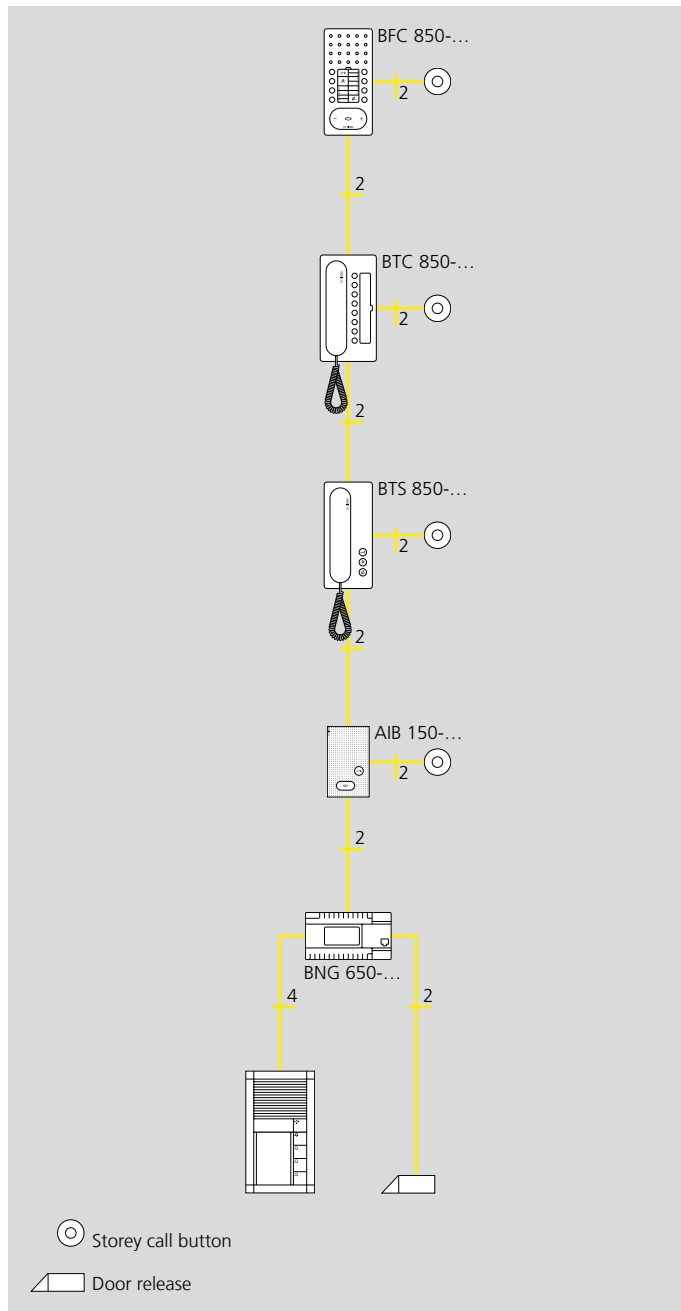


BVVS 650-0



BAA 650-0

System house/performance features



General

- Automatic programming Plug+Play
- Installation optionally with loop through, stub line or star formation
- 2-wire bus technology
- YR guarantee
- Polarity-reversal proof
- Short-circuit proof
- Simple retrofitting of existing bell/intercom system
- Minimal wiring effort for new installations
- Free selection of door station design (Siedle Compact, Vario, Steel or Classic)
- Free selection of indoor stations

System functions

- Maximum of 465 users
- Public network connection via DoorCom-Analog, internal network connection via Smart Gateways
- Up to 15 call channels (with additional devices and additional installation)
- Multiple-door systems without additional devices
- Internal communication without additional devices
- Storey door loudspeaker with call differentiation without additional devices
- Switching/control functions without additional devices in the side circuit
- Parallel switching of up to 4 indoor call stations (max. 8 BFC/BTC units with additional power supply). The PRI 602-... USB and

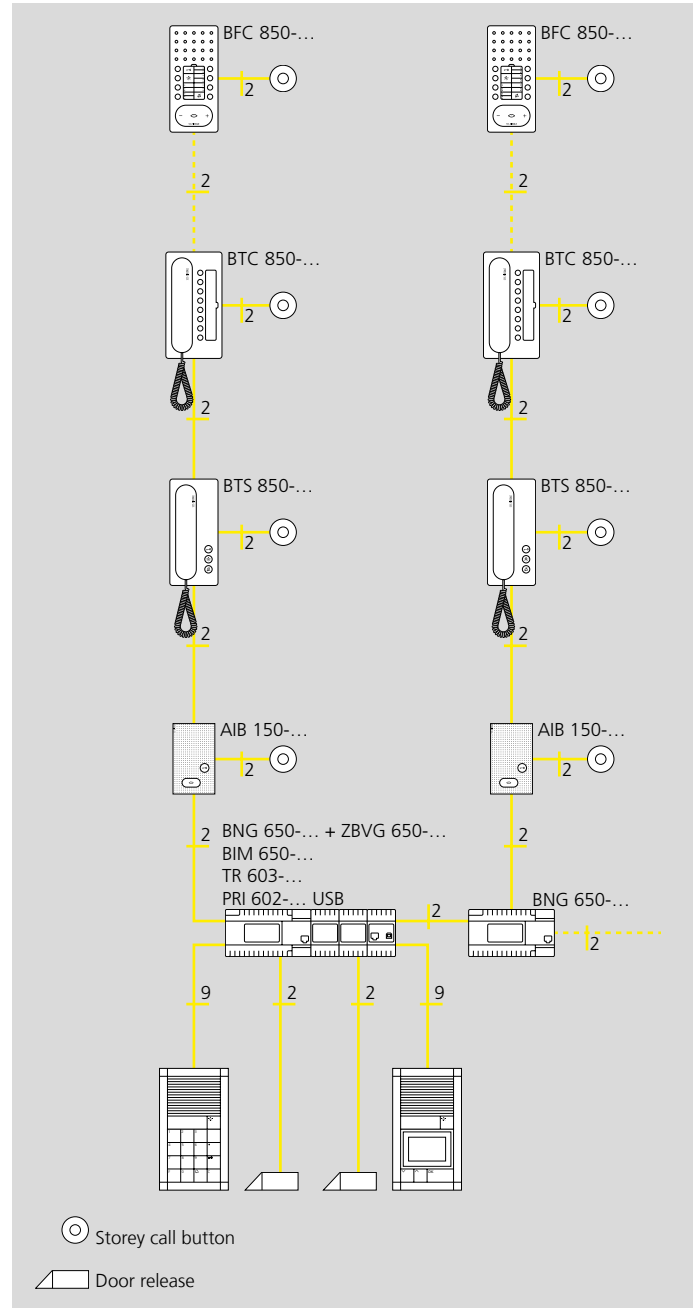
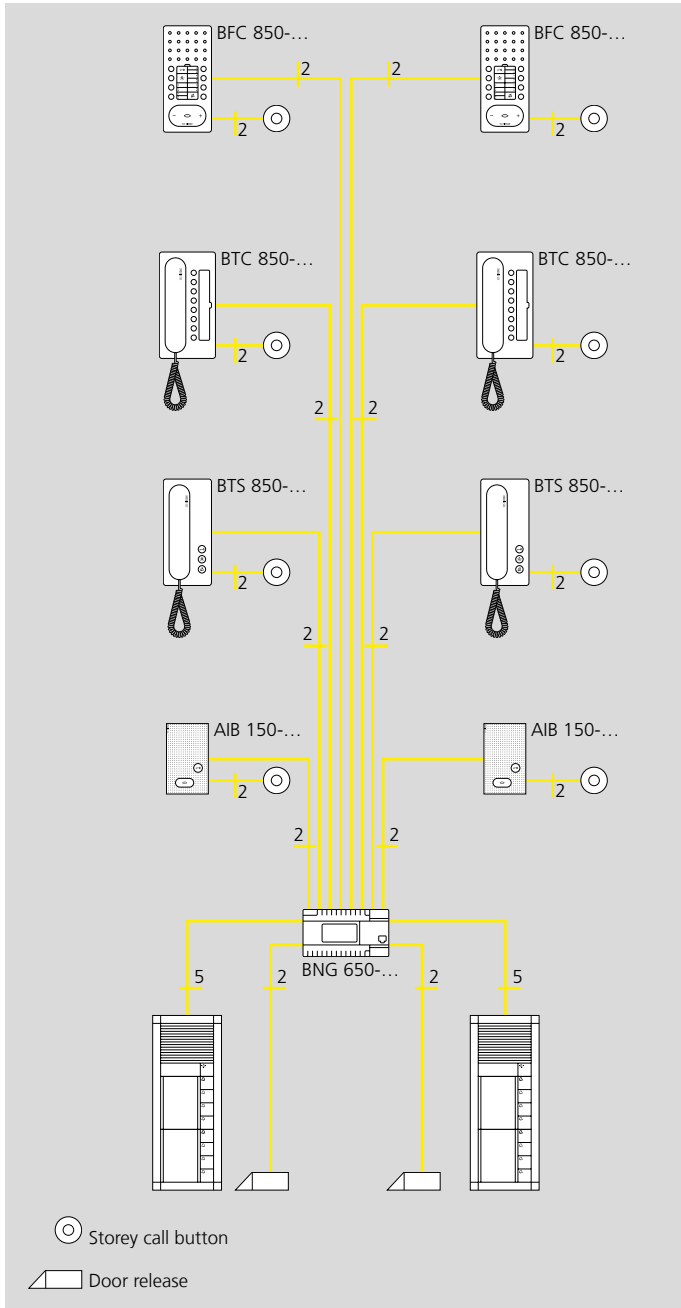
ZBVG 650-... is required for programming

Equipment of internal units:

- Acoustic and optical call signalling
- Call silencing with optical display
- Optionally as a surface or table-mounted variant
- Additionally in comfort models BFC/BTC 850:
 - Doormatic function
 - Call forwarding
 - 8 integrated function keys for door release, internal calls, door dialling or switching/control commands
 - 8 display LEDs without supplementary wiring
- Other intercom functions of the comfort handsfree telephone:
 - Callback function
 - Internal group call

- Group paging announcement (with supplementary supply)
- Automatic call pick-up

The individual devices may deviate in terms of their equipment features.



Digital call input

A variety of input and control devices can be connected to the Siedle Vario bus comprising 4 wires.

Connected telephones are called by means of the code lock or display call module (electronic name list). For this the BIM 650-02 is required in the Siedle In-Home bus.

Door loudspeakers



BTLM 650-04

Bus door loudspeaker module for Siedle Vario with integrated loudspeaker and microphone.

Performance features:

- Front grille made of weather and UV-resistant polycarbonate
- Loudspeaker, voice volume can be adjusted
- Durable electret microphone
- Light button with LED-lit light symbol
- Work contact for door release, can be controlled without additional wiring via existing bus line
- Integrated camera actuation
- Connection of a COM 611-... code lock module and/or DRM 612-... display call module for digital call input
- Acoustic feedback when pressing a call button can be activated

Up to max. 40 call button modules can be connected in any combination, allowing up to max. 160 call buttons to be connected. 1 BTLM 650-04 corresponds to 2 system users.

Contact type: Contact 15 V AC, 30 V DC, 2 A

Switching time: DR, 3 sec

Ambient temperature: -20 °C to +55 °C

Protection system: IP 54

Height of structure (mm): 9

Dimensions (mm) W x H x D:

99 x 99 x 35

BTLM 651-0

Bus door loudspeaker module Plus for Siedle Vario with integrated loudspeaker and microphone, as well as additional audio amplifier, noise filter and control electronics for the status display.

Performance features:

- Front grille made of weather and UV-resistant polycarbonate
 - Loudspeaker, voice volume can be adjusted
 - Voice volume can be doubled via the audio amplifier (with additional supply)
 - Durable electret microphone
 - Light button with LED-lit light symbol
 - Potential-free work contact for door release, can be controlled without additional wiring via existing bus line
 - Integrated camera actuation
 - Connection of a ZAM 600-... status display module for optical and acoustic signalling of the operating state is possible
 - Connection of a COM 611-... code lock module and/or DRM 612-... display call module for digital call input is possible
 - Acoustic feedback when pressing a call button can be activated
- Up to max. 40 call button modules can be connected in any optional combination, allowing up to max. 160 call buttons. 1 BTLM 651-0 corresponds to 2 system users.

Contact type: Contact 15 V AC, 30 V DC, 2 A

Switching time: DR, 3 sec

Additional supply 22–32 V DC

Ambient temperature: -20 °C to +55 °C

Protection system: IP 54

Height of structure (mm): 9

Dimensions (mm) W x H x D:

99 x 99 x 35



BTLE 051-04

Bus custom-fit door loudspeaker with bus call button matrix for installation in the customer's intercom compartments, door constructions, letterboxes, etc.

Up to 12 of the customer's call buttons can be directly connected to the BRMA 050-... bus call button matrix.

Performance features:

- Loudspeaker, voice volume can be adjusted
 - Durable electret microphone
 - Potential-free work contact for door release, can be controlled without additional wiring via existing bus line
 - Integrated camera control
 - Universal fastening options, when used with the ZJ 051-... grille, it can be screwed onto this directly
- 1 BTLE 050-... corresponds to 2 system users.

Contact type: 2 contact 15 V AC, 30 V DC, 2 A

Switching time: 3 sec

Protection system: Dependent on the mounting conditions

Dimensions (mm) W x H x D:

BTLE 050-04 124 x 60 x 31,

BRMA 050-01 53 x 100 x 17

Dimensions housing (mm) W x H x D:

100 x 60 x 31



ZAM 600-01

Status display module with visual and acoustic feedback. Four backlit LED symbols signal the different statuses: "Call", "Not available", "Speech" and "Door release".

For use in Siedle In-Home bus or Siedle Multi intercom systems.

Together with the In-Home bus, it can only be used with the Bus door loudspeaker module Plus BTLM 651-...

Operating voltage: 12 V AC,

15–32 V DC

Operating current: 70 mA

Protection system: IP 54

Ambient temperature: -20 °C to +55 °C

Dimensions (mm) W x H x D:

99 x 99 x 26



BRMA 050-01

Bus call button matrix for connecting 12 on-site call buttons to the BTLE 050-.../ ATLE 670-... custom-fit door loudspeaker.

Max. 14 BRMA 050-... can be connected to 1 BTLE 050-...

Max. 16 BRMA 050-... can be connected to 1 ATLE 670-...

Dimensions (mm) W x H x D:

53 x 100 x 17



ZTL 051-0

Universal mounting adapter for the TLE 061-..., BTLE 050-... and TLE 051-..., to fit the mounts for the previous TL 001 and TL 011 custom-fit door loudspeakers and for the M5 speaker and microphone system. With accessory lamp.

Dimensions (mm) W x H x D:

20.5 x 10.8 x 0.5

Call button modules



BTM 650-01
 Bus call button module with nameplate pocket and 1 separate call button with bell symbol.
 Nameplate size (mm) W x H: 65 x 94
 Call button (mm) W x H: 24 x 49
 Protection system: IP 54
 Ambient temperature: -20 °C to +55 °C
 Dimensions (mm) W x H x D:
 99 x 99 x 27



BTM 650-02
 Bus call button module with 2 nameplate pockets and 2 separate call buttons with bell symbol.
 Nameplate size (mm) W x H: 65 x 44.5
 Call button (mm) W x H: 24 x 49
 Protection system: IP 54
 Ambient temperature: -20 °C to +55 °C
 Dimensions (mm) W x H x D:
 99 x 99 x 27



BTM 650-03
 Bus call button module with 3 nameplate pockets and 3 separate call buttons with bell symbol.
 Nameplate size (mm) W x H: 65 x 28
 Call button (mm) W x H: 24 x 32
 Protection system: IP 54
 Ambient temperature: -20 °C to +55 °C
 Dimensions (mm) W x H x D:
 99 x 99 x 27



BTM 650-04
 Bus call button module with 4 nameplate pockets and 4 separate call buttons with bell symbol.
 Nameplate size (mm) W x H: 65 x 19.5
 Call button (mm) W x H: 24 x 24
 Protection system: IP 54
 Ambient temperature: -20 °C to +55 °C
 Dimensions (mm) W x H x D:
 99 x 99 x 27



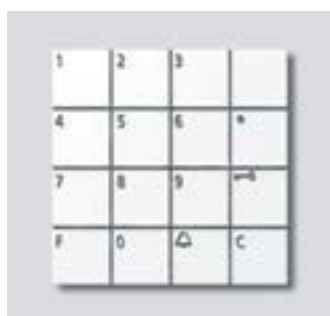
DRM 612-01
 Display call module as an input device with 4-line display for placing door calls. Customer-specific data stored in the DRM 612-... is indicated on the display. To scroll in the name segment / name index, there are two arrow keys provided for "up/down".
 When the required name is marked in the list, pressing the OK button will initiate a call to this user.
 An external DR button can be connected

- 4-line display with white LED background lighting
- 3 highly sensitive stroke-free piezo buttons
- Button actuation with acoustic acknowledgement
- Backlit symbols
- Up to max. 504 users can be programmed

Programming possibilities:

- Using a PC and the programming software PRS 602-... via programming interface PRI 602-... USB
- or manually using the buttons at the DRM 612-...

Operating voltage: 12 V AC
 Operating current: max. 200 mA
 Protection system: IP 54
 Ambient temperature: -20 °C to +55 °C
 Dimensions (mm) W x H x D:
 99 x 99 x 27



COM 611-02
 Code lock module as an input unit for the placement of codes for control functions in conjunction with the Siedle Vario bus.

- in conjunction with entrance controller EC 602-... for setting control function and access control codes. Programming takes place using PRI 602-... or PRI 602-... USB and PRS 602-...
- in conjunction with door controller IP TCIP 603-... for setting control function and access control codes. Programming via web browser

Operation with call controller RC 602-... for programming codes for door calls.

Operating elements:
 A C button to delete incorrect entries and a DR button for direct door release. This door release function can additionally be controlled by a time switch provided by the user. An integrated LED can be used via an external potential-free contact as a status indication.
 Operating voltage: 12 V AC
 Operating current: max. 140 mA
 Protection system: IP 54
 Ambient temperature: -20 °C to +55 °C
 Dimensions (mm) W x H x D:
 99 x 99 x 27

Bus indoor devices plug+play



AIB 150-01

Audio indoor station Siedle Basic: Handsfree station for surface mounting. Entry-level device with all essential functions in the accustomed standard of Siedle quality. Minimized ergonomically optimized design with simple operation, clear symbolism and excellent acoustics.

Functions

Calling, speech, door release, light

Highlights

- Intuitive, safe operation with only two clearly distinguishable buttons
- Button design with adequate spacing reduces operating errors (unintentional door release)
- Excellent speech reproduction and high volume thanks to optimized acoustics
- Automated commissioning (Plug+Play)
- Handy 2-step mounting: Base plate with terminals can be pre-installed, toolless final assembly
- Covers all customary flush mounted sockets without additional frame

Other performance features

- LED status display: Incoming calls, active call, muting
- 11 call tones
- Call differentiation: Storey call, 2 door calls and incoming internal call
- Speech and call volume can be set in five stages
- Parallel switching of up to four devices
- Door release/light function via the bus line
- Manual door connection even without a door call

Made in Germany

Designed, engineered and produced in Furtwangen in the Black Forest

Specifications

Operating voltage: via In-Home bus
Ambient temperature: +5 °C to +40 °C
Dimensions (mm) W x H x D:
79 x 133 x 23



BFC 850-0

Comfort handsfree bus telephone intercom for Siedle In-Home bus. With the functions calling, speech, door release, light, storey call, switching/control functions and internal communication.

Performance features:

- Integrated audio privacy device
 - Muting and status display
 - Parallel switching of 4 bus deluxe handsfree telephones (from the 3rd device, the PRI 602-... USB and ZBVG 650-... are required for programming)
 - Call differentiation for storey call, 2 door calls and internal call
 - Set callback
 - Call generator with 11 call tone sequences, including chime
 - Call volume adjustable in 5 stages up to max. 83 dB(A)
 - Door release/light function at any time using bus cores
 - Door connection possible at any time
 - 8 display LEDs (e.g. door open)
 - 8 function buttons, 7 freely configurable and capable of double assignment. Button functions can be freely assigned and actuated without additional installation via bus wires, e.g. for internal telephony
 - Door call acceptance
 - Large-area button (as speech/control button)
 - Base plate with pre-installable terminals
 - Parallel switching accessory ZPSF 850-..., in order to connect a maximum of 4 additional bus handsfree telephones in parallel, retrofittable.
 - Interfacing relay accessory ZARF 850-... retrofittable
 - Can be used with table-top accessory ZTS 800-... as a table-top device
 - Call forwarding
 - Collective announcement
 - Automatic call pick-up with internal call
 - Doormatic
- Operating voltage: via In-Home bus
Ambient temperature: +5 °C to +40 °C
Dimensions (mm) W x H x D:
91 x 201 x 27



BTS 850-02

Standard bus telephone for Siedle In-Home bus.

With the basic functions calling, speech, door release, light and storey call.

Performance features:

- Hearing protection, audio privacy device integrated
 - Muting and status display
 - Parallel switching of 4 standard bus telephones (from the 3rd device, the PRI 602-... USB and ZBVG 650-... are required for programming).
 - Call differentiation for storey call, 2 door calls and internal call.
 - Door release button
 - Light and muting button freely configurable and capable of double assignment.
 - Call generator with 11 call tone sequences, including chime
 - Call volume adjustable in 5 stages up to max. 83 dB(A)
 - Door release/light function at any time using bus cores
 - Door connection possible at any time
 - Interfacing relay accessory ZAR 850-... retrofittable, e.g. for actuation of an additional signalling unit.
 - Base plate with pre-installable terminals.
 - Can be used with table-top accessory ZTS 800-... as a table-top device.
- Operating voltage: via In-Home bus
Ambient temperature: +5 °C to +40 °C
Dimensions (mm) W x H x D:
91 x 201 x 46



BTC 850-02

Comfort bus telephone for Siedle In-Home bus.

With the functions calling, speech, door release, light, storey call, switching/control functions and internal communication.

Performance features:

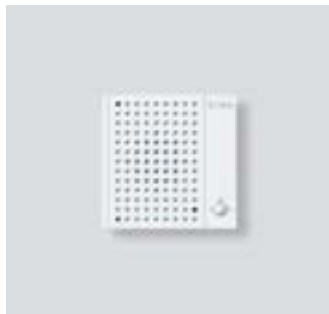
- Hearing protection, audio privacy device integrated
 - Muting and status display
 - Parallel switching of 4 deluxe bus telephones (from the 3rd device, the PRI 602-... USB and ZBVG 650-... are required for programming)
 - Call differentiation for storey call, 2 door calls and internal call
 - Call generator with 11 call tone sequences, including chime
 - Call volume adjustable in 5 stages up to max. 83 dB(A)
 - Door release/light function at any time using bus cores
 - Door connection possible at any time
 - 8 display LEDs (e.g. door open)
 - 8 function buttons, 7 freely configurable and capable of double assignment. Button functions can be freely assigned and actuated without additional installation via bus wires, e.g. for internal telephony
 - Door call acceptance
 - Doormatic
 - Call forwarding
 - Base plate with pre-installable terminals
 - Parallel switching accessory ZPS 850-..., in order to connect a maximum of 4 additional bus telephones in parallel, retrofittable
 - Interfacing relay accessory ZAR 850-... retrofittable
 - Can be used with table-top accessory ZTC 800-... as a table-top device
- Operating voltage: via In-Home bus
Ambient temperature: +5 °C to +40 °C
Dimensions (mm) W x H x D:
106 x 201 x 46

Design variants without panel	Order key white housing	Order key black housing
White	...W	-
Black	-	...S

Design variants with panel	Order key white housing	Order key black housing
Stainless steel	...E/W	...E/S
Aluminium	...A/W	...A/S
High gloss white	...WH/W	...WH/S
High gloss black	...SH/W	...SH/S
PVD black	...ES/W	...ES/S
PVD copper	...EK/W	...EK/S
PVD brass	...EM/W	...EM/S
PVD titanium	...ET/W	...ET/S

Example BTS 850-02 W
Further execution on demand

Accessories



BNS 750-02

Bus secondary signal unit in a low-profile surface-mounted design with loud-speakers, externally adjustable volume control and electronic call generator, programmable in parallel with a bus indoor device.

Counts as a user within the limit of 465 units (users).

Call differentiation for storey and door calls.

Operating voltage: via In-Home bus

Ambient temperature: +5 °C to +40 °C

Dimensions (mm) W x H x D:

107 x 107 x 25



ZTS 800-01

Table-top accessory for telephones BTS/ BFC 850-... and HTS 811-... for conversion from a wall to a table-top unit. Slip-proof console with 2 rubber feet but without UAE 8(8) junction box.

The table-top accessory is also available in black.

Connecting cable: 8-core 3 m long



ZTC 800-0

Table-top accessory for the telephone BTC 850-... and HTC 811-... for conversion from a wall to a table-top unit. Slip-proof console with 2 rubber feet but without UAE 8/8(8) junction box.

The table-top accessory is also available in black.

Connecting cable: 2 x 8-core 3 m long



ZAR 850-0

Interfacing relay accessory for mounting in bus telephones BTS 850-... or BTC 850-...

Universal switching relay with a potential-free contact for secondary signal unit, video interfacing or switching relay, one potential-free switching contact.

Contact type: Contact 15 V AC, 30 V DC, 2 A

Switching time: 0.4 sec to 19 min programmable using the bus programming software BPS 650-... V2.x



ZARF 850-0

Handsfree interfacing relay accessory for integration in the handsfree bus telephone BFC 850-... Universal switching relay e.g. for secondary signal unit, video actuation or switching relay.

Contact type: Contact 15 V AC, 30 V DC, 2 A

Switching time: 0.4 sec to 19 min programmable using the bus programming software BPS 650-... V2.x



ZPS 850-0

Parallel switching accessory for integration into comfort bus telephone BTC 850-... To supply the telephone where more than 4 telephones are required to ring simultaneously. Max. 8 BTC 850-... units can ring simultaneously.

An NG 602-... or VNG 602-... is required in addition for supply purposes.

Operating voltage: 20-30 V DC
Operating current: max. 100 mA



ZPSF 850-0

Handsfree parallel switching accessory for mounting in the comfort handsfree bus telephone intercom BFC 850-... Circuit board for connection of an additional supply.

Required if more than 4 handsfree bus telephones BFC 850-... are called simultaneously or for each BFC 850-... which is required to receive a collective paging announcement.

An NG 602-... or VNG 602-... is required in addition for supply purposes.
Operating voltage: 20-30 V DC
Operating current: max. 100 mA

Supply/control units



BNG 650-0

Bus line rectifier for Siedle In-Home bus: audio in switch panel housing for power supply to the bus users. Optional plug-in facility for the bus supply unit accessory ZBVG 650-...

Relay contact for door release and light.

Operating voltage:

230 V AC, +/-10 %, 50/60 Hz

Operating current: 200 mA

Output voltage: 27.5 V DC, 12 V AC

Output current: 0.5 A DC, 1 A AC

Fusing: primary fuse 1 T 250 mA L,

secondary short circuit proof

Contact type: 2 n.o. contacts 24 V, 2 A

Protection system: IP 30

Ambient temperature: 0 °C to +40 °C

Horizontal pitch (HP): 9

Dimensions (mm) W x H x D:

162 x 89 x 60

BNG 650-1 USA

Operating voltage:

125 V AC, +/-10 %, 50/60 Hz

Operating current: 360 mA

Fusing: primary fuse 1 T 500 mA T,

secondary short circuit proof

For further technical details please see above.



ZBVG 650-0

Bus supply unit accessory as a plug-in card for integration in bus line rectifier BNG 650-... or bus video line rectifier BVNG 650-... with 8-pin Western socket for connection of the programming interface PRI 602-... USB.

Is required in systems with more than one line or for programming the

in-home bus via a Windows PC and

PRI 602-... USB. Only one unit may be

installed within the Siedle In-Home bus.



BIM 650-02

Bus interface module in switch panel housing, used for connection between Siedle Vario bus and Siedle In-Home bus. It is always required when a bus door loudspeaker has to be equipped with a COM or DRM in addition to or instead of direct call buttons.

Operating voltage:

12 V AC from TR 602-...

Operating current: 50 mA

Protection system: IP 20

Ambient temperature: 0 °C to +40 °C

Dimensions (mm) W x H x D:

53.5 x 89 x 60



PRI 602-01 USB

The programming interface PRI 602-... USB in a switch panel housing connects a Windows PC via the USB port to the Siedle In-Home bus and the Siedle Vario bus.

Connection to the line rectifiers BNG 650-... and BVNG 650-... via ZBVG 650-...

Interface to the Siedle In-Home bus via 8-pin Western socket or via screw terminals.

Only one PRI 602-... USB can be connected to a PC.

Operating voltage: 10–15 V AC or

10–30 V DC

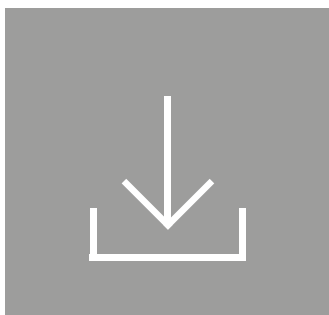
Protection system: IP 20

Ambient temperature: 0 °C to +40 °C

Horizontal pitch (HP): 3

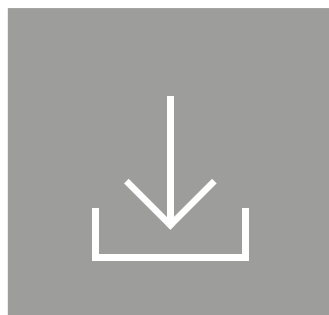
Dimensions (mm) W x H x D:

53.5 x 89 x 60



BPS 650-0

Bus programming software for programming In-Home bus systems. For this, the programming interface PRI 602-... is also required in conjunction with a BIM 650-... or the PRI 602-... USB.



PRS 602-02

Programming software suitable for programming the Vario bus components. System requirements: Windows PC – Vista, Win 7/8/10



ZWA 640-0

Western socket accessory for switch panel mounting. Integrated socket for 4/6/8-pin western plug.

Protection system: IP 20

Ambient temperature: 0 °C to +40 °C

Horizontal pitch (HP): 1

Dimensions (mm) W x H x D:

18 x 90 x 60

**TR 603-0**

Transformer in switch panel housing for supplying system and additional components.

Operating voltage:

230 V AC, +/-10 %, 50/60 Hz

Operating current: 100 mA

Output voltage: 12 V AC

Output current: max. 1.3 A

Fusing: primary thermal fuse, secondary short circuit proof

Protection system: IP 20

Ambient temperature: 0 °C to +40 °C

Horizontal pitch (HP): 3

Dimensions (mm) W x H x D:

53.5 x 89 x 60

**TR 602-01**

Transformer in switch panel housing, to supply supplementary components.

Operating voltage:

230 V AC, +/-10 %, 50/60 Hz

Operating current: 170 mA

Output voltage: 12 V AC

Output current: max. 2.5 A

Fusing: primary Si1 T 200 mA L, secondary side with thermal fuse

Protection system: IP 20

Ambient temperature: 0 °C to +40 °C

Horizontal pitch (HP): 6

Dimensions (mm) W x H x D:

107 x 89 x 60

TR 602-1 USA

Operating voltage:

125 V AC, +6 %/-10 %, 50/60 Hz

Operating current: 310 mA

Fusing: primary Si1 T 400 mA L

For further technical details please see above.

**NG 602-01**

Line rectifier in switch panel housing for 1+n technology, and for power supply to supplementary components. Inclusive function LEDs.

Operating voltage:

230 V AC, +/-10 %, 50/60 Hz

Operating current: 200 mA

Output voltage: 23.3 V DC, 12 V AC

Output current: 0.3 A DC, 1.6 A AC

Fusing: primary Si1 T 200 mA L

Protection system: IP 20

Ambient temperature: 0 °C to +40 °C

Horizontal pitch (HP): 6

Dimensions (mm) W x H x D:

107 x 89 x 60

**TÖ 615-0**

Recessed door release with flat striker plate, grey hammertone finish, for right or left opening doors according to DIN. Suitable for heavy front and internal doors, striker plate pre-drilled, release structured symmetrically. Catch bolt and cylinder adjustment possible after mounting. The release bolt can be adjusted in oval screw holes up to 4 mm on the horizontal.

Operating voltage: 12 V AC

Operating current: max. 400 mA

Coil resistance: approx. 20 Ohm

**TÖ 618-0 E**

Recessed door release with flat striker plate, grey hammertone finish, for right or left opening doors according to DIN. Mechanical release possible using toggle lever.

Suitable for heavy front and internal doors, striker plate pre-drilled, release structured symmetrically. Catch bolt and cylinder adjustment possible after mounting. The release bolt can be adjusted in oval screw holes up to 4 mm on the horizontal.

Operating voltage: 12 V AC

Operating current: max. 400 mA

Coil resistance: approx. 20 Ohm

Switching/control



BSE 651-0

Bus switching unit for the top hat rail, with bi-stable relay.
Actuation possible via BEM bus input module, the function buttons of the bus telephones (incl. door release button) or the light or call button of a door station. The BSE switching contact can be triggered at the same time as the door release contact.
The assignment takes place via the BPS 650-... bus programming software. The switching function can only be programmed within a line and only for one door station. The switching function can optionally be triggered from only specific indoor stations or from all indoor stations via the door release button.
Contact type: Changeover switch max. 30 V DC, 5 A
Switching time: adjustable / switch on and off
Protection system: IP 20
Ambient temperature: 0 °C to +40 °C
Horizontal pitch (HP): 1
Dimensions (mm) W x H x D: 18 x 90 x 60



BEM 651-0

Bus input module for the top hat rail. With one input for triggering switching functions or leaving messages on the In-Home bus.
Activation possible via potential-free contact or 4–30 V DC, 10 mA.
Protection system: IP 20
Ambient temperature: 0 °C to +40 °C
Horizontal pitch (HP): 1
Dimensions (mm) W x H x D: 18 x 90 x 60



BSM 650-02

Bus switching module in switch panel housing with 4 integrated relays, each with one potential-free work contact. Programmed functions can be actuated using the programmable buttons of the system users or in parallel to a door call button to actuate an external signalling device.
Operating voltage: 12 V AC
Operating current: max. 240 mA
Contact type:
4 n.o. contacts, max. 24 V, 2 A
Switching time: adjustable from 1 to 10 sec
Protection system: IP 20
Ambient temperature: 0 °C to +40 °C
Horizontal pitch (HP): 3
Dimensions (mm) W x H x D: 53.5 x 89 x 60



BSE 650-02

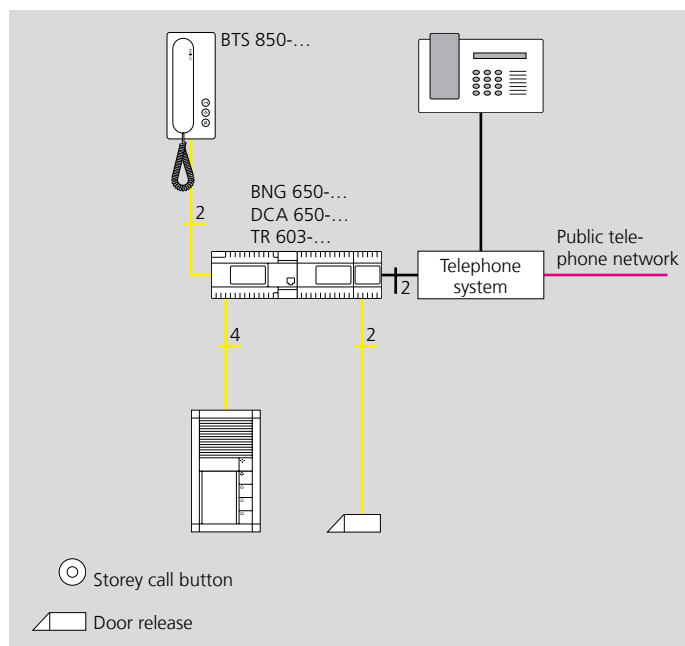
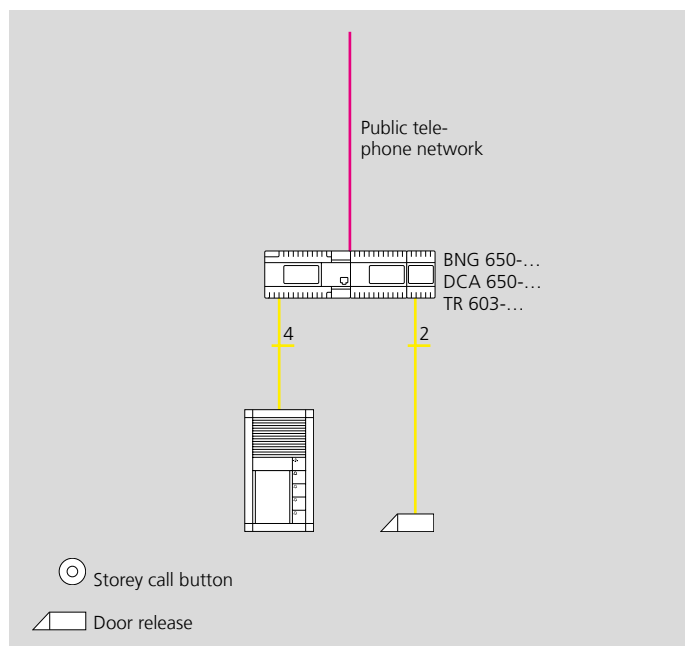
Bus switching unit with bistable relay, suitable for mounting in a 70 junction box.
For implementing various switching scenarios.
Actuation possible via BEM bus input module, the function buttons of the bus telephones (incl. door release button) or the light or call button of a door station.
Power supply via the In-Home bus
Admissible switching output:
• Light bulbs max. 1300 W
• Fluorescent lamps max. 800 W
• Twin fluorescent lamps max. 1200 W
• Parallel compensated fluorescent lamps max. 400 W
Contact type: changeover switch max. 250 V AC, 6 A
Switching time: adjustable / switch on and off
Protection system: IP 20
Ambient temperature: 0 °C to +40 °C
Dimensions (mm) dia. x H: 51 x 23



BEM 650-02

Bus input module for mounting in a 70 junction box with an input for tripping switching functions/transmitting messages at the In-Home bus.
Activation possible via potential-free contact or 4–30 V DC, 10 mA.
Protection system: IP 20
Ambient temperature: 0 °C to +40 °C
Dimensions (mm) dia. x H: 51 x 23

DoorCom Analog telephone interface



With the DoorCom Analog, the call numbers/telephones assigned to the call buttons can be dialled from the door loudspeaker. The connection must take place at an analogue telephone terminal.

One-family home with one or more door stations which are connected via the DoorCom Analog to an existing a/b telephone with a "mini telephone system".



DCA 650-02

DoorCom Analog, in switch panel housing as an interface for the Siedle In-Home bus, connects the door intercom system to telephone systems via the system's analogue connection.

- Up to 31 call destinations, depending on the programming and system expansion
- Max. 6 control functions can be executed via BSM/BSE 650-... by means of DTMF dialling
- Selective dialling of max. 3 door loudspeakers without supplementary installation
- Selective dialling of the door to which the last call was placed
- Configuration directly on the device via 6 buttons and alphanumeric display
- The following call possibilities can be assigned (each max. 22 digits long):
 - Direct calls:
 - Selective user call
 - Group calls (dep. on the TC system)
 - Collective calls (dep. on the TC system)
 - Calls to PBX extensions, to public network or mobile phones
 - Chain calls:
 - In case of no answer or engaged
 - System functions door release and light using the DTMF dialling method
 - Doormatic function for 1 call input, with/without door call signalling
 - Call rerouting to e.g. concierge
 - Day/night service to alternative call destinations (depending on customer's existing TC system)
 - Switching from door intercom to telephone mode

- Several DCA units possible in one intercom system/one TC system
 - Adjustable call and connection time
 - Call differentiation possible for door calls from various door stations (max. 2)
 - Call differentiation possible from various call inputs (max. 2)
 - PIN protection can be activated e.g. for programming, door release, switching functions and function activation
 - Time-controlled activation/deactivation of e.g. Doormatic, call rerouting, day and night service etc. possible via DCSF 600-... accessory and customer's time switches
 - Jack for HT 811-... servicing handset
- Operating voltage: 12 V AC
Operating current: max. 100 mA
Ambient temperature: 0 °C to +40 °C
Horizontal pitch (HP): 6
Dimensions (mm) W x H x D:
107 x 89 x 60



DCSF 600-0

DoorCom switching and remote control interface, for use in DCA 612-... and DCA 650-...

- 3 potential-free freely programmable outputs e.g. for
 - Decentral door release, light
 - Secondary signal unit/timer-dependent video control (In-Home bus)
 - Buttons or switches
 - Selective door dialling using the 1+n system
 - Monitor interfacing (direct assignment to the call inputs)
 - 3 freely programmable inputs e.g. for:
 - Code inputs to:
 - Trip switching functions, door release/light via BSM/BSE/SFC in the Siedle system
 - Video/light interfacing via BMM etc.
 - Activation/deactivation of functions e.g. via the customer's own time switch, such as
 - Chain call, doormatic, concierge, day/night service etc.
 - Dialling of call numbers to signal events with signal tones:
 - Selective user call
 - Calls to PBX extensions, public network or mobile phones
 - Facility for combining code and call number functions
- Operating voltage: 12 V AC
Operating current: max. 100 mA
Control voltage / current: 4-30 V DC, max. 5 mA, 4-20 V AC, max. 5 mA
Contact type: 3 contact 12 V AC, 24 V DC, 2 A

Please note:

The facility to utilize individual performance features may differ depending on the telephone system used. Please enquire with the manufacturer of your telephone system.

- Direct door call acceptance can be programmed. In this case, a chain call function is no longer possible.
- When dialling users, use the DTMF dialling method.
- The dialled users must have DTMF dialling capability.

System examples

Siedle In-Home bus: Audio with Compact flush mounting

	1 residential unit	2 residential units	3 residential units	4 residential units
Siedle Compact flush mounting	1 CAU 850-1-0	1 CAU 850-2-0	1 CAU 850-4-0	1 CAU 850-4-0
Current supply	1 BNG 650-0	1 BNG 650-0	1 BNG 650-0	1 BNG 650-0
Audio indoor station Siedle Basic	1 AIB 150-01	2 AIB 150-01	3 AIB 150-01	4 AIB 150-01
Handsfree bus telephone				
Comfort intercom	1 BFC 850-0 W	2 BFC 850-0 W	3 BFC 850-0 W	4 BFC 850-0 W
Standard bus telephone	1 BTS 850-02 W	2 BTS 850-02 W	3 BTS 850-02 W	4 BTS 850-02 W
Comfort bus telephone	1 BTC 850-02 W	2 BTC 850-02 W	3 BTC 850-02 W	4 BTC 850-02 W

Siedle In-Home bus: Audio with Compact surface mounting

	1 residential unit	2 residential units	3 residential units	4 residential units
Siedle Compact surface mounting	1 CA 850-1	1 CA 850-2	1 CA 850-4	1 CA 850-4
Current supply	1 BNG 650-0	1 BNG 650-0	1 BNG 650-0	1 BNG 650-0
Audio indoor station Siedle Basic	1 AIB 150-01	2 AIB 150-01	3 AIB 150-01	4 AIB 150-01
Handsfree bus telephone				
Comfort intercom	1 BFC 850-0 W	2 BFC 850-0 W	3 BFC 850-0 W	4 BFC 850-0 W
Standard bus telephone	1 BTS 850-02 W	2 BTS 850-02 W	3 BTS 850-02 W	4 BTS 850-02 W
Comfort bus telephone	1 BTC 850-02 W	2 BTC 850-02 W	3 BTC 850-02 W	4 BTC 850-02 W

Siedle In-Home bus: Audio with Vario flush-mount system

	1 residential unit	2 residential units	3 residential units	4 residential units	8 residential units	12 residential units
Door loudspeaker module	1 BTLM 650-04	1 BTLM 650-04	1 BTLM 650-04	1 BTLM 650-04	1 BTLM 650-04	1 BTLM 650-04
Call button module	1 BTM 650-01	1 BTM 650-02	1 BTM 650-03	1 BTM 650-04	2 BTM 650-04	3 BTM 650-04
Flush-mount housing	1 GU 611-2/1-0	1 GU 611-2/1-0	1 GU 611-2/1-0	1 GU 611-2/1-0	1 GU 611-3/1-0	1 GU 611-4/1-0
Mounting frame	1 MR 611-2/1-0	1 MR 611-2/1-0	1 MR 611-2/1-0	1 MR 611-2/1-0	1 MR 611-3/1-0	1 MR 611-4/1-0
Combination frame	1 KR 611-2/1-0	1 KR 611-2/1-0	1 KR 611-2/1-0	1 KR 611-2/1-0	1 KR 611-3/1-0	1 KR 611-4/1-0
Distribution	1 BNG 650-0	1 BNG 650-0	1 BNG 650-0	1 BNG 650-0	1 BNG 650-0	1 BNG 650-0
Audio indoor station Siedle Basic	1 AIB 150-01	2 AIB 150-01	3 AIB 150-01	4 AIB 150-01	8 AIB 150-01	12 AIB 150-01
Handsfree bus telephone						
Comfort intercom	1 BFC 850-0 W	2 BFC 850-0 W	3 BFC 850-0 W	4 BFC 850-0 W	8 BFC 850-0 W	12 BFC 850-0 W
Standard bus telephone	1 BTS 850-02 W	2 BTS 850-02 W	3 BTS 850-02 W	4 BTS 850-02 W	8 BTS 850-02 W	12 BTS 850-02 W
Comfort bus telephone	1 BTC 850-02 W	2 BTC 850-02 W	3 BTC 850-02 W	4 BTC 850-02 W	8 BTC 850-02 W	12 BTC 850-02 W

Siedle In-Home bus: Audio with Vario surface-mount system

	1 residential unit	2 residential units	3 residential units	4 residential units	8 residential units	12 residential units
Door loudspeaker module	1 BTLM 650-04	1 BTLM 650-04	1 BTLM 650-04	1 BTLM 650-04	1 BTLM 650-04	1 BTLM 650-04
Call button module	1 BTM 650-01	1 BTM 650-02	1 BTM 650-03	1 BTM 650-04	2 BTM 650-04	3 BTM 650-04
Surface-mount housing	1 GA 612-2/1-0	1 GA 612-2/1-0	1 GA 612-2/1-0	1 GA 612-2/1-0	1 GA 612-3/1-0	1 GA 612-4/1-0
Mounting frame	1 MR 611-2/1-0	1 MR 611-2/1-0	1 MR 611-2/1-0	1 MR 611-2/1-0	1 MR 611-3/1-0	1 MR 611-4/1-0
Distribution	1 BNG 650-0	1 BNG 650-0	1 BNG 650-0	1 BNG 650-0	1 BNG 650-0	1 BNG 650-0
Audio indoor station Siedle Basic	1 AIB 150-01	2 AIB 150-01	3 AIB 150-01	4 AIB 150-01	8 AIB 150-01	12 AIB 150-01
Handsfree bus telephone						
Comfort intercom	1 BFC 850-0 W	2 BFC 850-0 W	3 BFC 850-0 W	4 BFC 850-0 W	8 BFC 850-0 W	12 BFC 850-0 W
Standard bus telephone	1 BTS 850-02 W	2 BTS 850-02 W	3 BTS 850-02 W	4 BTS 850-02 W	8 BTS 850-02 W	12 BTS 850-02 W
Comfort bus telephone	1 BTC 850-02 W	2 BTC 850-02 W	3 BTC 850-02 W	4 BTC 850-02 W	8 BTC 850-02 W	12 BTC 850-02 W

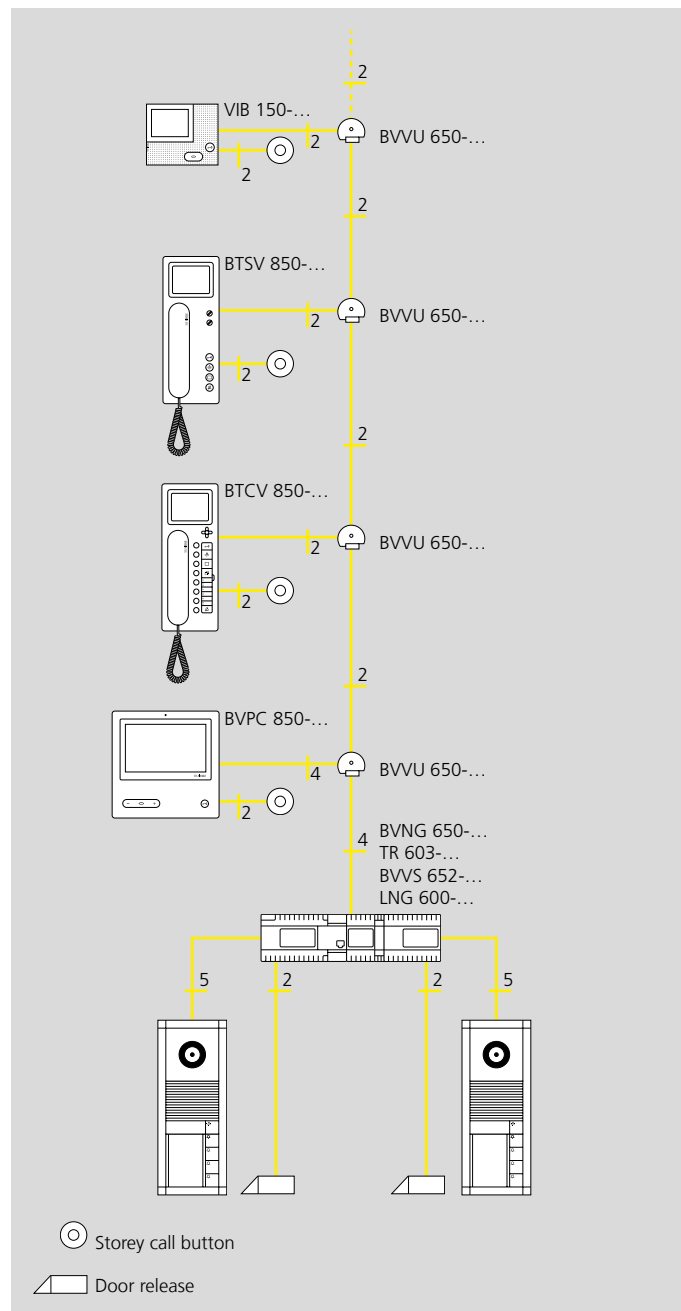
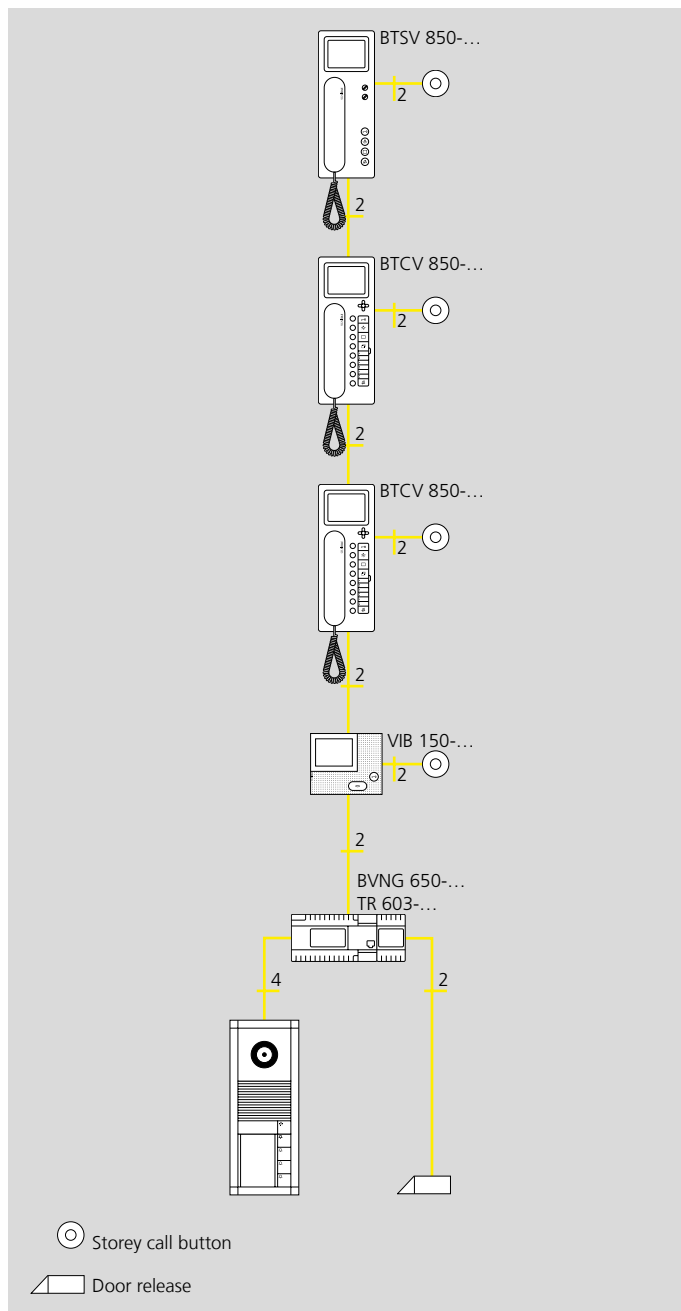
Siedle In-Home bus: Audio with custom-fit door loudspeaker

	1 residential unit	2 residential units	3 residential units	4 residential units	8 residential units	12 residential units
Bus custom-fit door loudspeaker	1 BTLE 051-04	1 BTLE 051-04	1 BTLE 051-04	1 BTLE 051-04	1 BTLE 051-04	1 BTLE 051-04
Current supply	1 BNG 650-0	1 BNG 650-0	1 BNG 650-0	1 BNG 650-0	1 BNG 650-0	1 BNG 650-0
Audio indoor station Siedle Basic	1 AIB 150-01	2 AIB 150-01	3 AIB 150-01	4 AIB 150-01	8 AIB 150-01	12 AIB 150-01
Handsfree bus telephone						
Comfort intercom	1 BFC 850-0 W	2 BFC 850-0 W	3 BFC 850-0 W	4 BFC 850-0 W	8 BFC 850-0 W	12 BFC 850-0 W
Standard bus telephone	1 BTS 850-02 W	2 BTS 850-02 W	3 BTS 850-02 W	4 BTS 850-02 W	8 BTS 850-02 W	12 BTS 850-02 W
Comfort bus telephone	1 BTC 850-02 W	2 BTC 850-02 W	3 BTC 850-02 W	4 BTC 850-02 W	8 BTC 850-02 W	12 BTC 850-02 W

Siedle In-Home bus: Audio with Siedle Classic

	1 residential unit	2 residential units	3 residential units	4 residential units	8 residential units
Door station	1 F CL A 01 B-0	1 F CL A 02 B-0	1 F CL A 03 B-0	1 F CL A 04 B-0	1 F CL A 08 B-0
Current supply	1 BNG 650-0	1 BNG 650-0	1 BNG 650-0	1 BNG 650-0	1 BNG 650-0
Audio indoor station Siedle Basic	1 AIB 150-01	2 AIB 150-01	3 AIB 150-01	4 AIB 150-01	8 AIB 150-01
Handsfree bus telephone					
Comfort intercom	1 BFC 850-0 W	2 BFC 850-0 W	3 BFC 850-0 W	4 BFC 850-0 W	8 BFC 850-0 W
Standard bus telephone	1 BTS 850-02 W	2 BTS 850-02 W	3 BTS 850-02 W	4 BTS 850-02 W	8 BTS 850-02 W
Comfort bus telephone	1 BTC 850-02 W	2 BTC 850-02 W	3 BTC 850-02 W	4 BTC 850-02 W	8 BTC 850-02 W

System house/performance features



General

- Automatic programming Plug+Play
- Installation optionally with loop through, stub line or star formation
- 2-wire bus technology
- YR guarantee
- Polarity-reversal proof
- Short-circuit proof
- Simple retrofitting of existing bell/intercom system
- Minimal wiring effort for new installations
- Free selection of door station design (Siedle Compact, Vario, Steel or Classic)
- Free selection of indoor stations

System functions

- Maximum of 465 users
- Public network connection via DoorCom-Analog, internal network connection via Smart Gateway
- Up to 15 call channels (with additional devices and additional installation)
- Multiple-door systems without additional devices
- Internal communication without additional devices
- Storey door loudspeaker with call differentiation without additional devices
- Switching/control functions without additional devices in the side circuit
- Parallel switching of up to 8 video call stations (with additional power supply). For programming, the PRI 602-01 USB and

ZBVG 650-0 are required.

Equipment of internal units:

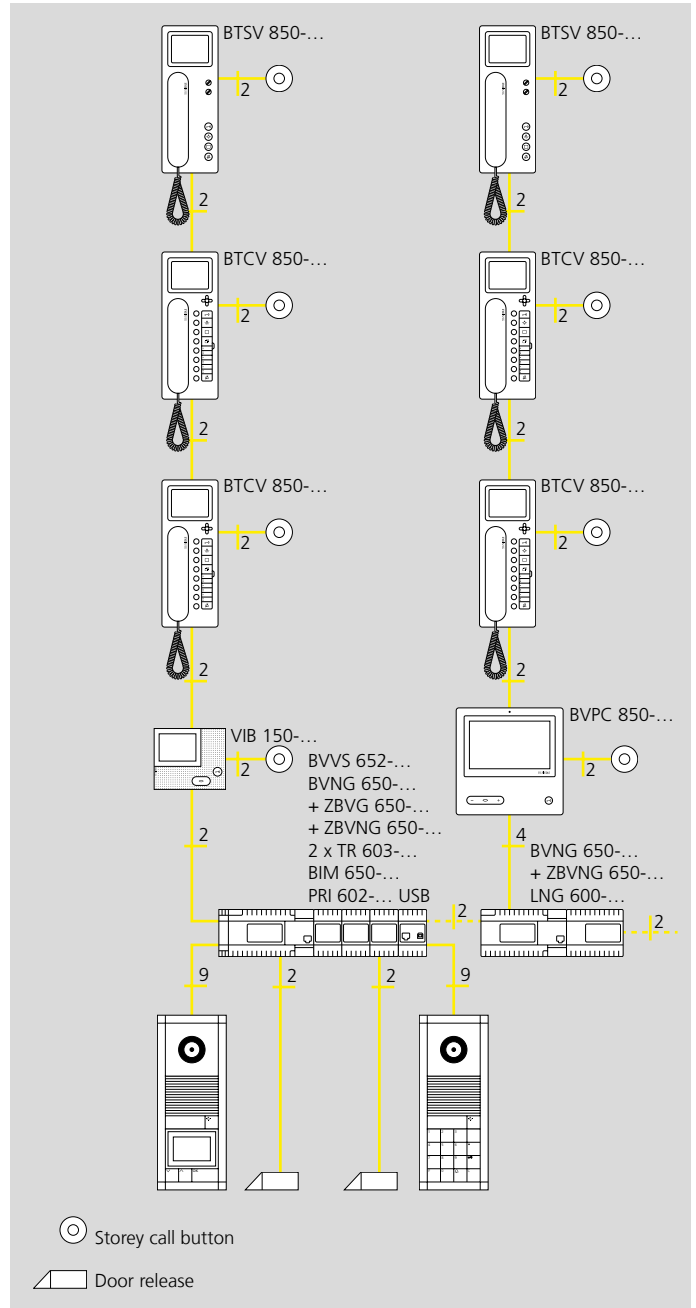
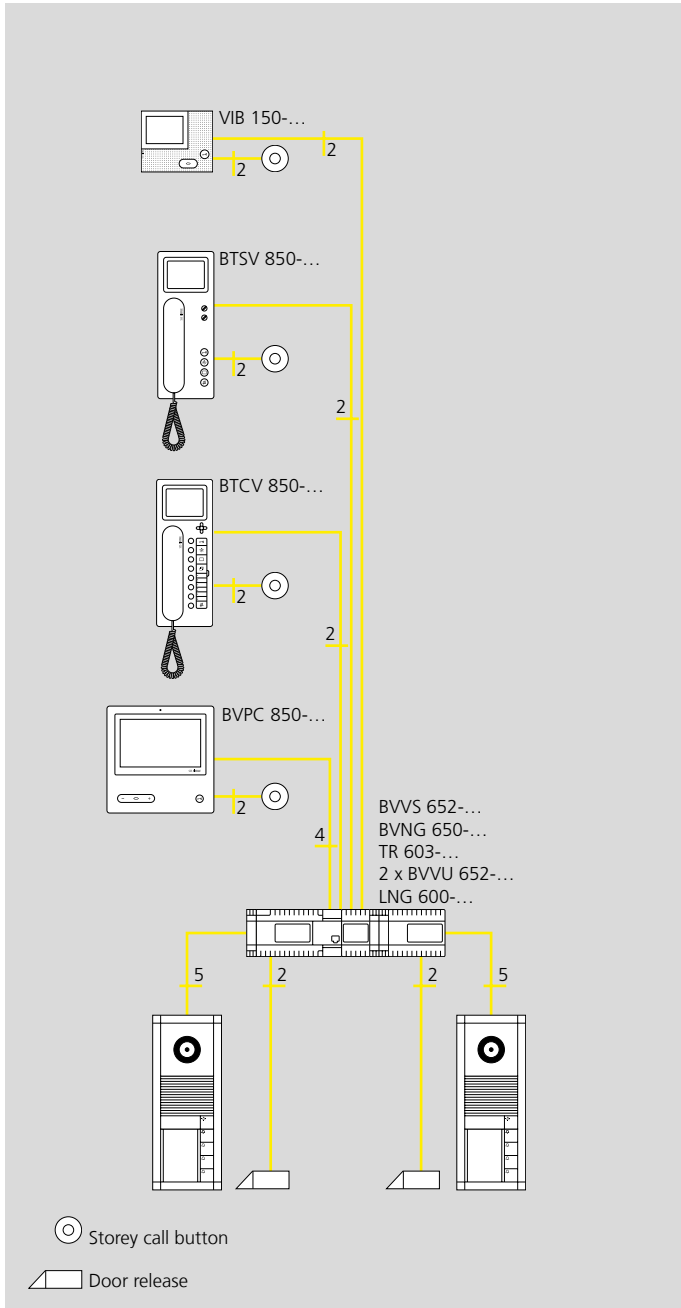
- Acoustic and optical call signalling
- Call silencing with optical display
- Brilliant TFT colour monitor
- Optionally as a surface- or table-mounted variant

Additionally in the Comfort models:

- Electronic zooming and displacement of the picture excerpt
- Operation by means of OSD menu system
- Integrated video memory (additional power supply required), extendable with optional SD card
- Doormatic function
- Call forwarding

- 8 integrated function keys for door release, internal calls, door dialling or switching/control commands
 - 8 display LEDs without supplementary wiring
- Other intercom functions of the Comfort handsfree telephone:
- Callback function
 - Internal group call
 - Group paging announcement
 - Automatic call pick-up
- For programming, the BPS 650-0 V2.xx is required

The individual devices may deviate in terms of their equipment features.



Digital call input

A variety of input and control devices can be connected to the Siedle Vario bus comprising 4 wires.

Connected telephones are called by means of the code lock or display call module (electronic name list). For this the BIM 650-02 is required in the Siedle In-Home bus.

Door loudspeakers



BTLM 650-04

Bus door loudspeaker module for Siedle Vario with integrated loudspeaker and microphone.

Performance features:

- Front grille made of weather and UV-resistant polycarbonate
- Loudspeaker, voice volume can be adjusted
- Durable electret microphone
- Light button with LED-lit light symbol
- Work contact for door release, can be controlled without additional wiring via existing bus line
- Integrated camera actuation
- Connection of a COM 611-... code lock module and/or DRM 612-... display call module for digital call input
- Acoustic feedback when pressing a call button can be activated

Up to max. 40 call button modules can be connected in any combination, allowing up to max. 160 call buttons to be connected. 1 BTLM 650-04 corresponds to 2 system users.

Contact type: Contact 15 V AC, 30 V DC, 2 A

Switching time: DR, 3 sec

Ambient temperature: -20 °C to +55 °C

Protection system: IP 54

Height of structure (mm): 9

Dimensions (mm) W x H x D:

99 x 99 x 35

BTLM 651-0

Bus door loudspeaker module Plus for Siedle Vario with integrated loudspeaker and microphone, as well as additional audio amplifier, noise filter and control electronics for the status display.

Performance features:

- Front grille made of weather and UV-resistant polycarbonate
 - Loudspeaker, voice volume can be adjusted
 - Voice volume can be doubled via the audio amplifier (with additional supply)
 - Durable electret microphone
 - Light button with LED-lit light symbol
 - Potential-free work contact for door release, can be controlled without additional wiring via existing bus line
 - Integrated camera actuation
 - Connection of a ZAM 600-... status display module for optical and acoustic signalling of the operating state is possible
 - Connection of a COM 611-... code lock module and/or DRM 612-... display call module for digital call input is possible
 - Acoustic feedback when pressing a call button can be activated
- Up to max. 40 call button modules can be connected in any optional combination, allowing up to max. 160 call buttons. 1 BTLM 651-0 corresponds to 2 system users.

Contact type: Contact 15 V AC, 30 V DC, 2 A

Switching time: DR, 3 sec

Additional supply 22–32 V DC

Ambient temperature: -20 °C to +55 °C

Protection system: IP 54

Height of structure (mm): 9

Dimensions (mm) W x H x D:

99 x 99 x 35



BTLE 051-04

Bus custom-fit door loudspeaker with bus call button matrix for installation in the customer's intercom compartments, door constructions, letterboxes, etc.

Up to 12 of the customer's call buttons can be directly connected to the BRMA 050-... bus call button matrix.

Performance features:

- Loudspeaker, voice volume can be adjusted
 - Durable electret microphone
 - Potential-free work contact for door release, can be controlled without additional wiring via existing bus line
 - Integrated camera control
 - Universal fastening options, when used with the ZJ 051-... grille, it can be screwed onto this directly
- 1 BTLE 050-... corresponds to 2 system users.

Contact type: 2 contact 15 V AC, 30 V DC, 2 A

Switching time: 3 sec

Protection system: Dependent on the mounting conditions

Dimensions (mm) W x H x D:

BTLE 050-04 124 x 60 x 31,

BRMA 050-01 53 x 100 x 17

Dimensions housing (mm) W x H x D:

100 x 60 x 31



ZAM 600-01

Status display module with visual and acoustic feedback. Four backlit LED symbols signal the different statuses: "Call", "Not available", "Speech" and "Door release".

For use in Siedle In-Home bus or Siedle Multi intercom systems.

Together with the In-Home bus, it can only be used with the Bus door loudspeaker module Plus BTLM 651-...

Operating voltage: 12 V AC,

15–32 V DC

Operating current: 70 mA

Protection system: IP 54

Ambient temperature: -20 °C to +55 °C

Dimensions (mm) W x H x D:

99 x 99 x 26



BRMA 050-01

Bus call button matrix for connecting 12 on-site call buttons to the BTLE 050-.../ ATLE 670-... custom-fit door loudspeaker.

Max. 14 BRMA 050-... can be connected to 1 BTLE 050-...

Max. 16 BRMA 050-... can be connected to 1 ATLE 670-...

Dimensions (mm) W x H x D:

53 x 100 x 17



ZTL 051-0

Universal mounting adapter for the TLE 061-..., BTLE 050-... and TLE 051-..., to fit the mounts for the previous TL 001 and TL 011 custom-fit door loudspeakers and for the M5 speaker and microphone system. With accessory lamp.

Dimensions (mm) W x H x D:

20.5 x 10.8 x 0.5

Call button modules



BTM 650-01

Bus call button module with nameplate pocket and 1 separate call button with bell symbol.

Nameplate size (mm) W x H: 65 x 94

Call button (mm) W x H: 24 x 49

Protection system: IP 54

Ambient temperature: -20 °C to +55 °C

Dimensions (mm) W x H x D:

99 x 99 x 27



BTM 650-02

Bus call button module with 2 nameplate pockets and 2 separate call buttons with bell symbol.

Nameplate size (mm) W x H: 65 x 44.5

Call button (mm) W x H: 24 x 49

Protection system: IP 54

Ambient temperature: -20 °C to +55 °C

Dimensions (mm) W x H x D:

99 x 99 x 27



BTM 650-03

Bus call button module with 3 nameplate pockets and 3 separate call buttons with bell symbol.

Nameplate size (mm) W x H: 65 x 28

Call button (mm) W x H: 24 x 32

Protection system: IP 54

Ambient temperature: -20 °C to +55 °C

Dimensions (mm) W x H x D:

99 x 99 x 27



BTM 650-04

Bus call button module with 4 nameplate pockets and 4 separate call buttons with bell symbol.

Nameplate size (mm) W x H: 65 x 19.5

Call button (mm) W x H: 24 x 24

Protection system: IP 54

Ambient temperature: -20 °C to +55 °C

Dimensions (mm) W x H x D:

99 x 99 x 27



DRM 612-01

Display call module as an input device with 4-line display for placing door calls. Customer-specific data stored in the DRM 612-... is indicated on the display. To scroll in the name segment / name index, there are two arrow keys provided for "up/down".

When the required name is marked in the list, pressing the OK button will initiate a call to this user.

An external DR button can be connected

- 4-line display with white LED background lighting
- 3 highly sensitive stroke-free piezo buttons
- Button actuation with acoustic acknowledgement
- Backlit symbols
- Up to max. 504 users can be programmed

Programming possibilities:

- Using a PC and the programming software PRS 602-... via programming interface PRI 602-... USB
- or manually using the buttons at the DRM 612-...

Operating voltage: 12 V AC

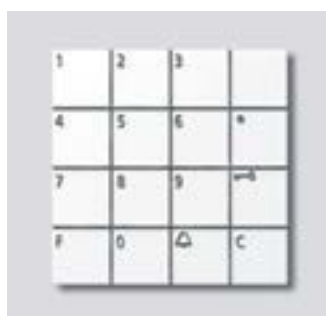
Operating current: max. 200 mA

Protection system: IP 54

Ambient temperature: -20 °C to +55 °C

Dimensions (mm) W x H x D:

99 x 99 x 27



COM 611-02

Code lock module as an input unit for the placement of codes for control functions in conjunction with the Siedle Vario bus.

- in conjunction with entrance controller EC 602-... for setting control function and access control codes.

Programming takes place using PRI 602-... or PRI 602-... USB and PRS 602-...

- in conjunction with door controller IP TCIP 603-... for setting control function and access control codes.

Programming via web browser

- Operation with call controller RC 602-... for programming codes for door calls.

Operating elements:

A C button to delete incorrect entries and a DR button for direct door release. This door release function can additionally be controlled by a time switch provided by the user. An integrated LED can be used via an external potential-free contact as a status indication.

Operating voltage: 12 V AC

Operating current: max. 140 mA

Protection system: IP 54

Ambient temperature: -20 °C to +55 °C

Dimensions (mm) W x H x D:

99 x 99 x 27

Cameras



BCM 650-03

Bus camera 80 for Siedle Vario with automatic day/night switchover (True Day/Night) and integrated infrared lighting. Horizontal/vertical pick-up angle: appr. 80°/60°

Performance features:

- Colour system: PAL
 - Image pick-up: CMOS sensor 1/3" 756 x 504 Pixel
 - Resolution: 550 TV lines
 - Lens: 2.9 mm
 - Mechanical adjustment range: 30° horizontal/vertical
 - 2-step heating: 12 V AC max. 130 mA
- Protection system: IP 54, IK 10
Ambient temperature: -20 °C to +55 °C
Height of structure (mm): 32
Dimensions (mm) W x H x D: 99 x 99 x 58

BCM 650-13 USA

Colour system: NTSC
For further technical details, see above



BCM 653-02

Bus camera 130 for Siedle Vario with automatic day/night switchover (True Day/Night) and integrated infrared lighting. Horizontal/vertical pick-up angle: appr. 130°/100°

Performance features:

- Colour system: PAL
 - Image pick-up: CMOS sensor 1/3" 756 x 504 Pixel
 - Resolution: 550 TV lines
 - Lens: 2.1 mm
 - 2-step heating: 12 V AC max. 130 mA
- Protection system: IP 54, IK 10
Ambient temperature: -20 °C to +55 °C
Height of structure (mm): 15
Dimensions (mm) W x H x D: 99 x 99 x 41

BCM 653-02 NTSC

Colour system: NTSC
For further technical details, see above



BCM 658-02

Bus camera 180 for Siedle Vario with automatic day/night switchover (True Day/Night) and integrated infrared lighting. Horizontal/vertical pick-up angle: appr. 175°/120°

Performance features:

- Full screen or 9 picture excerpts can be selected
 - Electronic image rectification in full screen
 - Extended pick-up angle in edge area for selected picture excerpt
 - Backlight compensation (BLC)
 - Colour system: PAL
 - Image pick-up: CMOS sensor 1/2.7" 1920 x 1080 pixels
 - Resolution: 600 TV lines
 - Lens: 1.55 mm
 - 2-step heating: 12 V AC max. 130 mA
- Protection system: IP 54, IK 10
Ambient temperature: -20 °C to +55 °C
Height of structure (mm): 15
Dimensions (mm) W x H x D: 99 x 99 x 41

Delivery date: in preparation.



CMC 612-03

System-free camera 80 for Siedle Vario with automatic day/night switchover (True Day/Night) and integrated infrared lighting. Horizontal/vertical pick-up angle: appr. 80°/60°

- Colour system: PAL
 - Image pick-up: CMOS sensor 1/3" 756 x 504 Pixel
 - Resolution: 550 TV lines
 - Lens: 2.9 mm
 - Mechanical adjustment range: 30° horizontal/vertical
 - 2-step heating: 12 V AC max. 130 mA
 - Video output: 1 Vss at 75 Ohm
- Operating voltage: 20–30 V DC
Operating current: max. 95 mA
Protection system: IP 54, IK 10
Ambient temperature: -20 °C to +55 °C
Height of structure (mm): 32
Dimensions (mm) W x H x D: 99 x 99 x 58

CMC 612-13 USA

Colour system: NTSC
For further technical details, see above



CM 613-02

System-free camera 130 for Siedle Vario with automatic day/night switchover (True Day/Night) and integrated infrared lighting. Horizontal/vertical pick-up angle: appr. 130°/100°

- Colour system: PAL
 - Image pick-up: CMOS sensor 1/3" 756 x 504 Pixel
 - Resolution: 550 TV lines
 - Lens: 2.1 mm
 - Continuous operation: suitable
 - 2-step heating: 12 V AC max. 130 mA
 - Video output: 1 Vss at 75 Ohm
- Operating voltage: 10–50 V DC
Operating current: max. 165 mA
Protection system: IP 54, IK 10
Ambient temperature: -20 °C to +55 °C
Height of structure (mm): 15
Dimensions (mm) W x H x D: 99 x 99 x 41

CM 613-02 NTSC

Colour system: NTSC
For further technical details, see above



CMC 618-02

System-free camera 180 for Siedle Vario with automatic day/night switchover (True Day/Night) and integrated infrared lighting. Horizontal/vertical pick-up angle: appr. 175°/120°

- Colour system: PAL
 - Image pick-up: CMOS sensor 1/2.7" 1920 x 1080 pixels
 - Resolution: 600 TV lines
 - Lens: 1.55 mm
 - Continuous operation: suitable
 - 2-step heating: 12 V AC max. 130 mA
 - Video output: 1 Vss at 75 Ohm
- Operating voltage: 10–50 V DC
Operating current: max. 210 mA
Protection system: IP 54, IK 10
Ambient temperature: -20 °C to +55 °C

Height of structure (mm): 15
Dimensions (mm) W x H x D: 99 x 99 x 41

Delivery date: in preparation.

**CE 600-01**

Colour CCD video camera external mounting with automatic day/night switchover (True Day/Night) and integrated infrared lighting. Horizontal pick-up angle: appr. 81.2°–22.5°

Performance features:

- Colour system: PAL
 - Image pick-up: CCD sensor 1/3" 976 x 582 Pixel
 - Resolution: 750 TV lines
 - Lens: 2.8–12 mm
 - Mechanical adjustment range: 160° horizontal/180° vertical
 - Continuous operation: suitable
 - Video output: 1 Vss at 75 Ohm
- Operating voltage: 20–50 V DC
 Operating current: max. 250 mA
 Protection system: IP 67
 Ambient temperature: –20 °C to +50 °C
 Dimensions (mm) W x H x D:
 75.3 x 76 x 218.5

**CE 950-01**

Colour CCD video camera external mounting with automatic day/night switchover (True Day/Night) and integrated infrared lighting. Horizontal pick-up angle: ca. 45.6°–4.0°

Performance features:

- Colour system: PAL
 - Image pick-up: CCD sensor 1/4" 976 x 582 Pixel
 - Resolution: 700 TV lines
 - Lens: 3.8–45.6 mm
 - Mechanical adjustment range: 180° horizontal/vertical
 - Continuous operation: suitable
 - Video output: 1 Vss at 75 Ohm
- Operating voltage: 20–50 V DC
 Operating current: max. 500 mA
 Protection system: IP 67
 Ambient temperature: –20 °C to +50 °C
 Dimensions (mm) W x H x D:
 100 x 108 x 267

**DSC 602-0**

Pilfer safeguard controller in a switch panel housing to control a maximum of 2 pilfer safeguard accessories ZDS 601-...

Using 2 integrated buttons, the mounting frame can be locked and unlocked. An LED flashes to indicate that the release button at the DSC 602-... has been activated. It is only possible to lock the mounting frame after removing the Vario key.

- Operating voltage: 12 V AC
- Operating current: max. 100 mA
- Protection system: IP 20
- Ambient temperature: 0 °C to +40 °C
- Horizontal pitch (HP): 3
- Dimensions (mm) W x H x D:
53.5 x 89 x 60

**ZDS 601-0**

Anti-pilfer accessory with bistable magnet for integration into mounting frame MR 611-...

A stable metal plate is used to lock the release mechanism and prevents the removal of function modules.

- Ambient temperature: –20 °C to +55 °C
- Dimensions (mm) W x H x D:
22.4 x 9 x 13.5

**BVM 650-0**

The bus video modulator in switch panel housing connects an analogue camera with the In-Home bus.

There are two operating modes to choose from, the analogue camera can be operated with or without a door station. A distance of up to 100 m between the camera and the BVM 650-... is permitted. Supply via the In-Home bus. A potential-free switching contact, e.g. for camera or light actuation, is available.

- Contact type: potential-free
- max. 30 V AC/DC, 1 A
- Protection system: IP 20
- Ambient temperature: 0 °C to +40 °C
- Horizontal pitch (HP): 3
- Dimensions (mm) W x H x D:
53.5 x 89 x 60

Bus indoor devices plug+play



VIB 150-0

Video indoor station Siedle Basic: Video handsfree station for surface mounting. Entry-level device with all essential functions in the accustomed standard of Siedle quality. Minimized ergonomically optimized design with simple operation and clear symbolism, excellent acoustics and image reproduction.

Functions

Calling, speech, vision, door release, light

Highlights

- Intuitive, safe operation with only two clearly distinguishable buttons
- Button design with adequate spacing reduces operating errors (unintentional door release)
- Excellent speech reproduction and high volume thanks to optimized acoustics
- High-grade video transmission
- Automated commissioning (Plug+Play)
- Handy 2-step mounting: Base plate with terminals can be pre-installed, toolless final assembly

Other performance features

- 8.8 cm (3.5 inch) TFT colour display
- Colour and brightness can be set in seven stages
- Speech and call volume can be set in five stages
- 11 call tones
- Call differentiation: Storey call, 2 door calls and internal call from standard/deluxe indoor stations
- LED status display: Incoming calls, active call, muting
- Door release/light function via the bus line
- Manual door connection even without a door call
- Parallel switching of max. 8 indoor stations without internal speech operation

Made in Germany

Designed, engineered and produced in Furtwangen in the Black Forest

Specifications

Operating voltage: via In-Home bus
Operating current: on supply via +M/-M max. 300 mA
Dimensions (mm) W x H x D:
135 x 115 x 24



BVPC 850-0

Bus video panel with 17.8 cm touchscreen for Siedle In-Home bus. With the functions calling, speech, vision, door release, light, storey call/switching/control functions, signal displays and internal communication. Performance features:

- 17.8 cm (7") touchscreen, resolution 800 x 480 pixel
 - Integrated video memory, can be extended with supplied SD card
 - 15 switching/control functions in conjunction with the BSM/BSE... bus switching module, selective dialling of door loudspeakers/cameras
 - 15 signal displays
 - Optimized depiction of switching/control functions and messages
 - Voice volume adjustable in 3 stages
 - Integrated audio and video privacy device
 - Status display with active speech connection
 - Optical call display
 - Selective dialling of max. 15 door loudspeakers/cameras
 - Muting and status display
 - Parallel switching of max. 8 indoor stations
 - Call differentiation for storey call, internal call and 2 door calls
 - Call generator with 11 call tone sequences, including chime
 - Call volume adjustable in 5 stages up to max. 83 dB(A)
 - Group formation for door calls
 - Door release/light function at any time using bus wires
 - Door/video connection possible at any time
 - Base plate with terminals can be pre-installed
 - Actuation of switching/control functions in conjunction with the BSM/BSE... bus switching module
 - Feedback for switching/control functions and messages in conjunction with BEM... bus input module
 - Internal telephony with max. 15 indoor stations
 - Call forwarding
 - Collective announcement
 - Automatic call pick-up with internal call
 - Doormatic on/off/time controlled
 - Can be used with table-top accessory ZTVP 850-... as a table-top device
- Operating voltage: 20-30 V DC
Operating current: max. 400 mA
Contact type: potential-free S1/S1 max. 15 V AC, 30 V DC, 1 A switching time 0.4 sec - 19 min
Ambient temperature: +5 °C to +40 °C
Dimensions (mm) W x H x D:
202 x 202 x 30



BTSV 850-03

Standard bus telephone with 8.8 cm colour monitor for the Siedle In-Home bus. With the basic functions calling, speech, vision, door release, light and storey call. Performance features:

- Door release, light and muting button
 - Monitor button for picture connection.
 - Controller for brightness and colour.
 - TFT display (8.8 cm)
 - Hearing protection, audio and video privacy device integrated.
 - Muting and status display
 - Parallel switching of max. 8 BTSV 850-... devices (additional installation/supply required)
 - Call differentiation for storey call, 2 door calls and internal call.
 - Call generator with 11 call tone sequences, including chime
 - Call volume adjustable in 5 stages up to max. 83 dB(A).
 - Light, monitor and muting button freely configurable and capable of double assignment.
 - Door release/light function at any time using bus cores.
 - Door/video connection possible at any time.
 - Base plate with pre-installable terminals.
 - Can be used with table-top accessory ZTCV 850-... as a table-top device.
- Operating voltage: via In-Home bus
Operating current: on supply via +M/-M max. 300 mA
Contact type: potential-free S1/S1 max. 15 V AC, 30 V DC, 1 A switching time 0.4 sec - 19 min
Ambient temperature: +5 °C to +40 °C
Dimensions (mm) W x H x D:
106 x 278 x 46



BTCV 850-03

Comfort bus telephone with colour monitor 8.8 cm for door and internal telephony.

With the functions calling, speech, vision, door release, light, storey call/switching/control functions and internal communication.

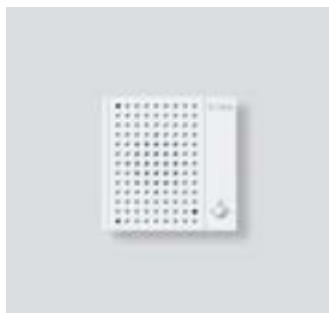
Performance features:

- Integrated video memory for 28 colour images (720 x 576 pixel). Further additional power supply required.
 - Upgradable with SD card (up to 32 GB).
 - Integrated 5-way control button for operation of the video memory, zoom, ...
 - Hearing protection, audio and video privacy device integrated.
 - Muting and status display
 - Parallel switching of max. 8 BTCV 850-... devices (additional installation/supply required)
 - Call differentiation for storey call, 2 door calls and internal call.
 - Call generator with 11 call tone sequences, including chime
 - Call volume adjustable in 5 stages up to max. 83 dB(A).
 - 8 display LEDs (e.g. door open)
 - 8 function buttons, 7 freely programmable and capable of double assignment without additional installation for activation via bus cores, e.g. for internal telephony
 - Door call acceptance
 - Doormatic
 - Call forwarding
 - Door release/light function at any time using bus cores
 - Door/video connection possible at any time
 - Base plate with pre-installable terminals
 - Can be used with table-top accessory ZTCV 850-... as a table-top device
- Operating voltage: via In-Home bus
Operating current: on supply via +M/-M max. 350 mA
Contact type: potential-free S1/S1 max. 15 V AC, 30 V DC, 1 A switching time 0.4 sec - 19 min
Ambient temperature: +5 °C to +40 °C
Dimensions (mm) W x H x D:
106 x 278 x 46

Note:

Devices from the Basic design line are available in white without panel.

Accessories

**BNS 750-02**

Bus secondary signal unit in a low-profile surface-mounted design with loud-speakers, externally adjustable volume control and electronic call generator, programmable in parallel with a bus indoor device.

Counts as a user within the limit of 465 units (users).

Operating voltage: via In-Home bus
Ambient temperature: +5 °C to +40 °C
Dimensions (mm) W x H x D:
107 x 107 x 25

**ZTVP 850-0**

Table-top accessory for the BVPC 850-... bus video panel for conversion from a wall to a table-top device.

Slip-proof table foot, connecting cable with RJ45 plug, but without telecom socket UAE 8(8).

Connecting cable: 8-core 3 m long

**ZTCV 850-0**

Table-top accessory for bus telephones with colour monitor BTCV 850-... as well as BTSV 850-03 for conversion from a wall to a table-top unit. Slip-proof console with 2 rubber feet but without telecom socket UAE 8(8).

Connecting cable: 8-core 3 m long

The table-top accessory is also available in black.

Design variants	Order key
White	...W
Black	...S
Stainless steel	...E

Note:

The bus video panels require a supplementary power supply (LNG 600-0).

Design variants without panel	Order key white housing	Order key black housing
White	...W	-
Black	-	...S
Design variants with panel	Order key white housing	Order key black housing
Stainless steel	...E/W	...E/S
Aluminium	...A/W	...A/S
High gloss white	...WH/W	...WH/S
High gloss black	...SH/W	...SH/S
PVD black	...ES/W	...ES/S
PVD copper	...EK/W	...EK/S
PVD brass	...EM/W	...EM/S
PVD titanium	...ET/W	...ET/S

Example BTSV 850-03 W
Further execution on demand

Supply/control units



BVNG 650-0

Bus video line rectifier for Siedle In-Home bus: video in switch panel housing for power supply to the bus users. Optional plug-in facility for the bus supply unit accessory ZBVG 650-... and bus video line rectifier accessory ZBVNG 650-... as a video amplifier.
Operating voltage: 230 V AC, +/-10 %, 50/60 Hz
Operating current: 300 mA
Output voltage: 29 V DC stabilized +/-5 %
Output current: 1.2 A
Fusing: primary thermal fuse, secondary short circuit proof
Contact type: 2 n.o. contacts 24 V, 2 A
Protection system: IP 30
Ambient temperature: 0 °C to +40 °C
Horizontal pitch (HP): 9
Dimensions (mm) W x H x D: 162 x 89 x 60

BVNG 650-1 USA

Operating voltage: 120 V AC, +/-10 %, 50/60 Hz
Operating current: 560 mA
Fusing: Primary thermal fuse, secondary short circuit proof
For further technical details please see above.



ZBVNG 650-0

Bus video line rectifier accessory as a plug-in card for installation in bus video line rectifier BVNG 650-... Required where attenuation within a line is > 45 dB or for the creation of a multiple-line system with more than one BVNG 650-...
In the case of multiple line systems, the ZBVNG 650-... must be installed in each BVNG 650-...



ZBVG 650-0

Bus supply unit accessory as a plug-in card for integration in bus line rectifier BNG 650-... or bus video line rectifier BVNG 650-... with 8-pin Western socket for connection of the programming interface PRI 602-... USB.
Is required in systems with more than one line or for programming the in-home bus via a Windows PC and PRI 602-... USB. Only one unit may be installed within the Siedle In-Home bus.



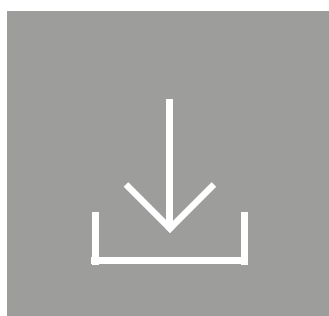
BIM 650-02

Bus interface module in switch panel housing, used for connection between Siedle Vario bus and Siedle In-Home bus. It is always required when a bus door loudspeaker has to be equipped with a COM or DRM in addition to or instead of direct call buttons.
Operating voltage: 12 V AC from TR 602-...
Operating current: 50 mA
Protection system: IP 20
Ambient temperature: 0 °C to +40 °C
Dimensions (mm) W x H x D: 53.5 x 89 x 60



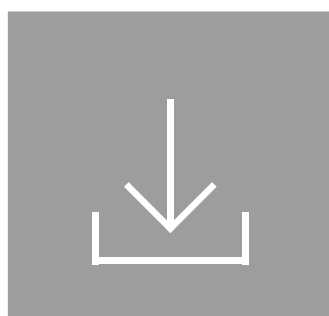
PRI 602-01 USB

The programming interface PRI 602-... USB in a switch panel housing connects a Windows PC via the USB port to the Siedle In-Home bus and the Siedle Vario bus.
Connection to the line rectifiers BNG 650-... and BVNG 650-... via ZBVG 650-...
Interface to the Siedle In-Home bus via 8-pin Western socket or via screw terminals.
Only one PRI 602-... USB can be connected to a PC.
Operating voltage: 10–15 V AC or 10–30 V DC
Protection system: IP 20
Ambient temperature: 0 °C to +40 °C
Horizontal pitch (HP): 3
Dimensions (mm) W x H x D: 53.5 x 89 x 60



BPS 650-0

Bus programming software for programming In-Home bus systems. For this, the programming interface PRI 602-... is also required in conjunction with a BIM 650-... or the PRI 602-... USB.



PRS 602-02

Programming software suitable for programming the Vario bus components. System requirements: Windows PC – Vista, Win 7/8/10



ZWA 640-0

Western socket accessory for switch panel mounting. Integrated socket for 4/6/8-pin western plug.
Protection system: IP 20
Ambient temperature: 0 °C to +40 °C
Horizontal pitch (HP): 1
Dimensions (mm) W x H x D: 18 x 90 x 60

**TR 603-0**

Transformer in switch panel housing for supplying system and additional components.

Operating voltage: 230 V AC, +/-10 %, 50/60 Hz
 Operating current: 100 mA
 Output voltage: 12 V AC
 Output current: max. 1.3 A
 Fusing: primary thermal fuse, secondary short circuit proof
 Protection system: IP 20
 Ambient temperature: 0 °C to +40 °C
 Horizontal pitch (HP): 3
 Dimensions (mm) W x H x D: 53.5 x 89 x 60

**TR 602-01**

Transformer in switch panel housing, to supply supplementary components.

Operating voltage: 230 V AC, +/-10 %, 50/60 Hz
 Operating current: 170 mA
 Output voltage: 12 V AC
 Output current: max. 2.5 A
 Fusing: primary Si1 T 200 mA L, secondary side with thermal fuse
 Protection system: IP 20
 Ambient temperature: 0 °C to +40 °C
 Horizontal pitch (HP): 6
 Dimensions (mm) W x H x D: 107 x 89 x 60

TR 602-1 USA

Operating voltage: 125 V AC, +6 %/-10 %, 50/60 Hz
 Operating current: 310 mA
 Fusing: primary Si1 T 400 mA L
 For further technical details please see above.

**NG 602-01**

Line rectifier in switch panel housing for 1+n technology, and for power supply to supplementary components. Inclusive function LEDs.

Operating voltage: 230 V AC, +/-10 %, 50/60 Hz
 Operating current: 200 mA
 Output voltage: 23.3 V DC, 12 V AC
 Output current: 0.3 A DC, 1.6 A AC
 Fusing: primary Si1 T 200 mA L
 Protection system: IP 20
 Ambient temperature: 0 °C to +40 °C
 Horizontal pitch (HP): 6
 Dimensions (mm) W x H x D: 107 x 89 x 60

**LNG 600-0**

Power line rectifier in the switch panel housing for the central supply of LED modules and bus video panels.

Operating voltage: 100–240 V AC, +/-10 %, 50/60 Hz
 Operating current: 0.3 A to 0.7 A
 Output voltage: 30 V DC
 Output current: 1.1 A DC
 Ambient temperature: 0 °C to +40 °C
 Protection system: IP 20
 Horizontal pitch (HP): 6
 Dimensions (mm) W x H x D: 107 x 89 x 60

**VNG 602-02**

Video line rectifier in a switch panel housing for central supply of video door intercom systems.

It can additionally be used as a universal voltage supply.
 Operating voltage: 230 V AC, +/-10 %, 50/60 Hz
 Operating current: 250 mA
 Output voltage: 30 V DC
 Output current: 1.1 A
 Fusing: Si 1 T 315 mA, secondary side thermal fuse
 Protection system: IP 20
 Ambient temperature: 0 °C to +40 °C
 Horizontal pitch (HP): 10
 Dimensions (mm) W x H x D: 180 x 89 x 60

**TÖ 615-0**

Recessed door release with flat striker plate, grey hammertone finish, for right or left opening doors according to DIN. Suitable for heavy front and internal doors, striker plate pre-drilled, release structured symmetrically. Catch bolt and cylinder adjustment possible after mounting. The release bolt can be adjusted in oval screw holes up to 4 mm on the horizontal.

Operating voltage: 12 V AC
 Operating current: max. 400 mA
 Coil resistance: approx. 20 Ohm

**TÖ 618-0 E**

Recessed door release with flat striker plate, grey hammertone finish, for right or left opening doors according to DIN. Mechanical release possible using toggle lever.

Suitable for heavy front and internal doors, striker plate pre-drilled, release structured symmetrically. Catch bolt and cylinder adjustment possible after mounting. The release bolt can be adjusted in oval screw holes up to 4 mm on the horizontal.
 Operating voltage: 12 V AC
 Operating current: max. 400 mA
 Coil resistance: approx. 20 Ohm

Distribution list/Diverter



BAVU 652-0
Asymmetrical bus audio/video distributor for top hat rail mounting for connection of pure audio components and for decoupling/coupling the In-Home bus: Video users in one device.
The BAVU 652-... is designed for switch panel mounting and can be mounted on a top hat rail.
Protection system: IP 20
Ambient temperature: 0 °C to +40 °C
Horizontal pitch (HP): 1
Dimensions (mm) W x H x D:
18 x 90 x 60



BVVU 652-0
Asymmetrical bus video distributor for top hat rail mounting comprising 2 internally linked distributors for decoupling/coupling the In-Home bus: Video users.
At the output TaA and TbA, a video door station or a video indoor station is always connected. The BVVU 652-... is designed for switch panel mounting and can be mounted on a top hat rail.
Protection system: IP 20
Ambient temperature: 0 °C to +40 °C
Horizontal pitch (HP): 1
Dimensions (mm) W x H x D:
18 x 90 x 60



BVVS 652-0
Symmetrical bus video distributor for top hat rail mounting comprising 2 completely separate distributors with 2 outputs each for creation of a tree structure or in the case of several risers.
Both the two outputs TaA and TbA can be used for infeed (camera branch) and also branching (monitor branch). The BVVS 652-... is designed for switch panel mounting and can be mounted on a top hat rail.
Protection system: IP 20
Ambient temperature: 0 °C to +40 °C
Horizontal pitch (HP): 1
Dimensions (mm) W x H x D:
18 x 90 x 60



BAA 650-0
Bus audio decoupler, suitable for mounting in 55 junction box, for connection of pure audio components to the In-Home Video bus, e.g. BTS, AIB, BTC, BFC, BTLM/BTLE without video, BNS, BSM, BIM etc.
Protection system: IP 20
Ambient temperature: 0 °C to +40 °C
Dimensions (mm) dia. x H: 51 x 23



BVVU 650-0
Asymmetrical bus video distributor for coupling/decoupling In-Home: Video users. Screw terminals for bus input, looped bus throughput and bus output.
Protection system: IP 20
Ambient temperature: 0 °C to +40 °C
Dimensions (mm) dia. x H: 51 x 23



BVVS 650-0
Symmetrical bus video distributor with 2 outputs, suitable for mounting in a 55 junction box, for creation of a tree structure or in the case of several risers.
Protection system: IP 20
Ambient temperature: 0 °C to +40 °C
Dimensions (mm) dia. x H: 51 x 23

Switching/control



BSE 651-0

Bus switching unit for the top hat rail, with bi-stable relay.
 Actuation possible via BEM bus input module, the function buttons of the bus telephones (incl. door release button) or the light or call button of a door station. The BSE switching contact can be triggered at the same time as the door release contact.
 The assignment takes place via the BPS 650-... bus programming software. The switching function can only be programmed within a line and only for one door station. The switching function can optionally be triggered from only specific indoor stations or from all indoor stations via the door release button.
 Contact type: Changeover switch max. 30 V DC, 5 A
 Switching time: adjustable / switch on and off
 Protection system: IP 20
 Ambient temperature: 0 °C to +40 °C
 Horizontal pitch (HP): 1
 Dimensions (mm) W x H x D: 18 x 90 x 60



BEM 651-0

Bus input module for the top hat rail. With one input for triggering switching functions or leaving messages on the In-Home bus.
 Activation possible via potential-free contact or 4–30 V DC, 10 mA.
 Protection system: IP 20
 Ambient temperature: 0 °C to +40 °C
 Horizontal pitch (HP): 1
 Dimensions (mm) W x H x D: 18 x 90 x 60



BSM 650-02

Bus switching module in switch panel housing with 4 integrated relays, each with one potential-free work contact. Programmed functions can be actuated using the programmable buttons of the system users or in parallel to a door call button to actuate an external signalling device.
 Operating voltage: 12 V AC
 Operating current: max. 240 mA
 Contact type: 4 n.o. contacts, max. 24 V, 2 A
 Switching time: adjustable from 1 to 10 sec
 Protection system: IP 20
 Ambient temperature: 0 °C to +40 °C
 Horizontal pitch (HP): 3
 Dimensions (mm) W x H x D: 53.5 x 89 x 60



BSE 650-02

Bus switching unit with bistable relay, suitable for mounting in a 70 junction box.
 For implementing various switching scenarios.
 Actuation possible via BEM bus input module, the function buttons of the bus telephones (incl. door release button) or the light or call button of a door station.
 Power supply via the In-Home bus
 Admissible switching output:

- Light bulbs max. 1300 W
- Fluorescent lamps max. 800 W
- Twin fluorescent lamps max. 1200 W
- Parallel compensated fluorescent lamps max. 400 W

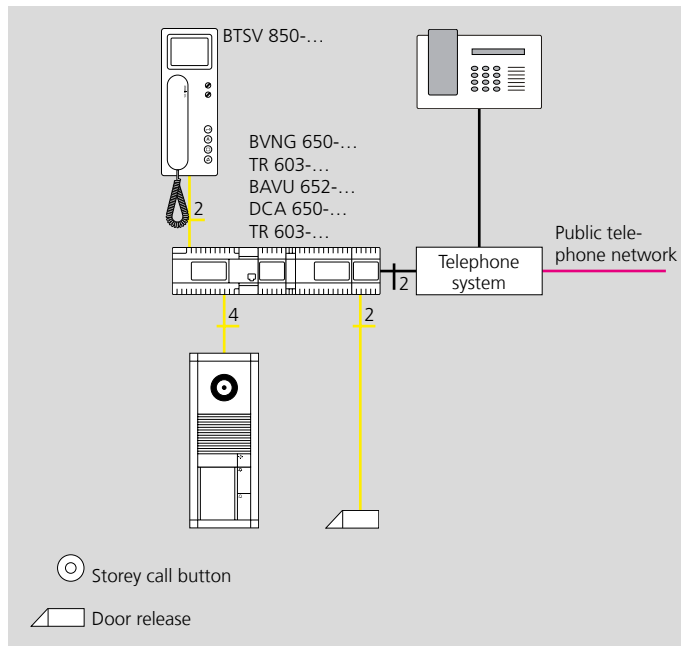
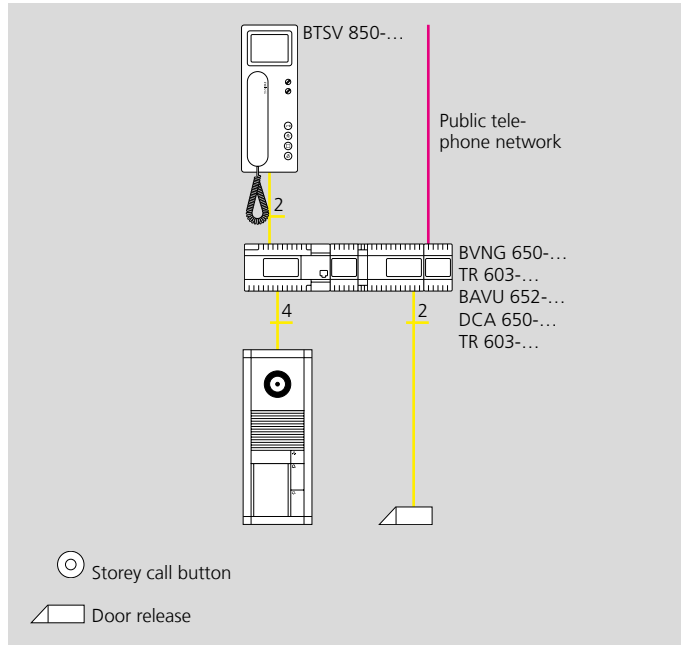
 Contact type: changeover switch max. 250 V AC, 6 A
 Switching time: adjustable / switch on and off
 Protection system: IP 20
 Ambient temperature: 0 °C to +40 °C
 Dimensions (mm) dia. x H: 51 x 23



BEM 650-02

Bus input module for mounting in a 70 junction box with an input for tripping switching functions/transmitting messages at the In-Home bus.
 Activation possible via potential-free contact or 4–30 V DC, 10 mA.
 Protection system: IP 20
 Ambient temperature: 0 °C to +40 °C
 Dimensions (mm) dia. x H: 51 x 23

DoorCom Analog telephone interface



With the DoorCom Analog, the call numbers/telephones assigned to the call buttons can be dialled from the door loudspeaker. The connection must take place at an analogue telephone terminal.

One-family home with one or more door stations which are connected via the DoorCom Analog to an existing a/b telephone with a "mini telephone system".



DCA 650-02

DoorCom Analog, in switch panel housing as an interface for the Siedle In-Home bus, connects the door intercom system to telephone systems via the system's analogue connection.

- Up to 31 call destinations, depending on the programming and system expansion
 - Max. 6 control functions can be executed via BSM/BSE 650-... by means of DTMF dialling
 - Selective dialling of max. 3 door loudspeakers without supplementary installation
 - Selective dialling of the door to which the last call was placed
 - Configuration directly on the device via 6 buttons and alphanumeric display
 - The following call possibilities can be assigned (each max. 22 digits long):
 - Direct calls:
 - Selective user call
 - Group calls (dep. on the TC system)
 - Collective calls (dep. on the TC system)
 - Calls to PBX extensions, to public network or mobile phones
 - Chain calls:
 - In case of no answer or engaged
 - System functions door release and light using the DTMF dialling method
 - Doormatic function for 1 call input, with/without door call signalling
 - Call rerouting to e.g. concierge
 - Day/night service to alternative call destinations (depending on customer's existing TC system)
 - Switching from door intercom to telephone mode
 - Several DCA units possible in one intercom system/one TC system
 - Adjustable call and connection time
 - Call differentiation possible for door calls from various door stations (max. 2)
 - Call differentiation possible from various call inputs (max. 2)
 - PIN protection can be activated e.g. for programming, door release, switching functions and function activation
 - Time-controlled activation/deactivation of e.g. Doormatic, call rerouting, day and night service etc. possible via DCSF 600-... accessory and customer's time switches
 - Jack for HT 811-... servicing handset
- Operating voltage: 12 V AC
Operating current: max. 100 mA
Ambient temperature: 0 °C to +40 °C
Horizontal pitch (HP): 6
Dimensions (mm) W x H x D:
107 x 89 x 60



DCSF 600-0

DoorCom switching and remote control interface, for use in DCA 612-... and DCA 650-...

- 3 potential-free freely programmable outputs e.g. for
 - Decentral door release, light
 - Secondary signal unit/timer-dependent video control (In-Home bus)
 - Buttons or switches
 - Selective door dialling using the 1+n system
 - Monitor interfacing (direct assignment to the call inputs)
 - 3 freely programmable inputs e.g. for:
 - Code inputs to:
 - Trip switching functions, door release/light via BSM/BSE/SFC in the Siedle system
 - Video/light interfacing via BMM etc.
 - Activation/deactivation of functions e.g. via the customer's own time switch, such as
 - Chain call, doormatic, concierge, day/night service etc.
 - Dialling of call numbers to signal events with signal tones:
 - Selective user call
 - Calls to PBX extensions, public network or mobile phones
 - Facility for combining code and call number functions
- Operating voltage: 12 V AC
Operating current: max. 100 mA
Control voltage / current: 4-30 V DC, max. 5 mA, 4-20 V AC, max. 5 mA
Contact type: 3 contact 12 V AC, 24 V DC, 2 A

Please note:

The facility to utilize individual performance features may differ depending on the telephone system used. Please enquire with the manufacturer of your telephone system.

- Direct door call acceptance can be programmed. In this case, a chain call function is no longer possible.
- When dialling users, use the DTMF dialling method.
- The dialled users must have DTMF dialling capability.

**BVD 650-0**

The bus video demodulator converts the video signal from the In-Home bus into an FBAS signal, so that customarily available video monitors, video surveillance systems and TVs (with AV input) can display the picture.

As long as control voltage is applied at the control input, the FBAS video signal is available at the video output. In addition, the potential-free output is closed for this period. No continuous monitoring is possible in the In-Home bus for system-related reasons.

Operating voltage: 12 V AC,
max. 300 mA

Control voltage / current: 4–30 V DC,
max. 10 mA, 4–20 V AC, max. 5 mA

Contact type: contact 30 V, 2 A

Protection system: IP 20

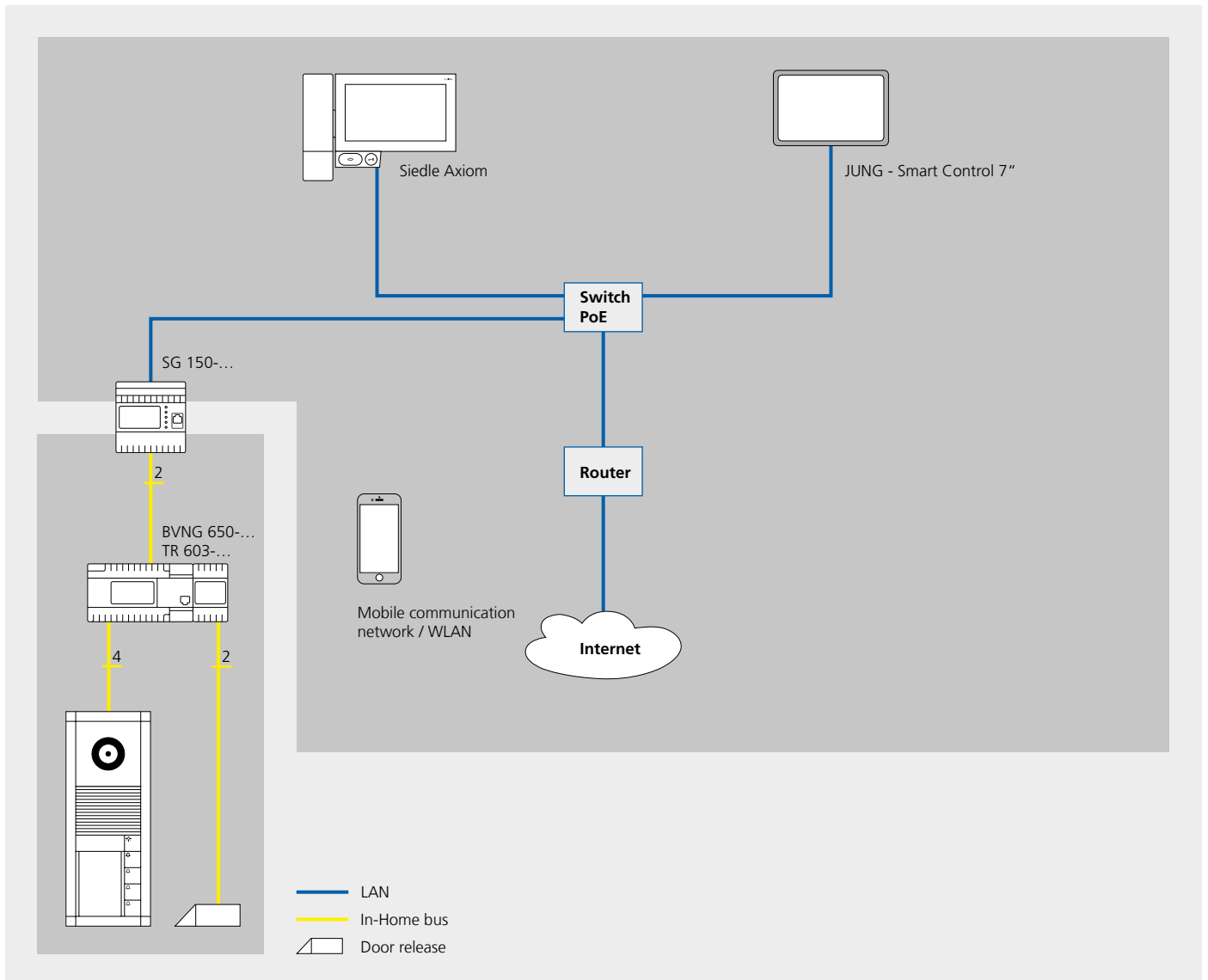
Ambient temperature: 0 °C to +40 °C

Horizontal pitch (HP): 6

Dimensions (mm) W x H x D:

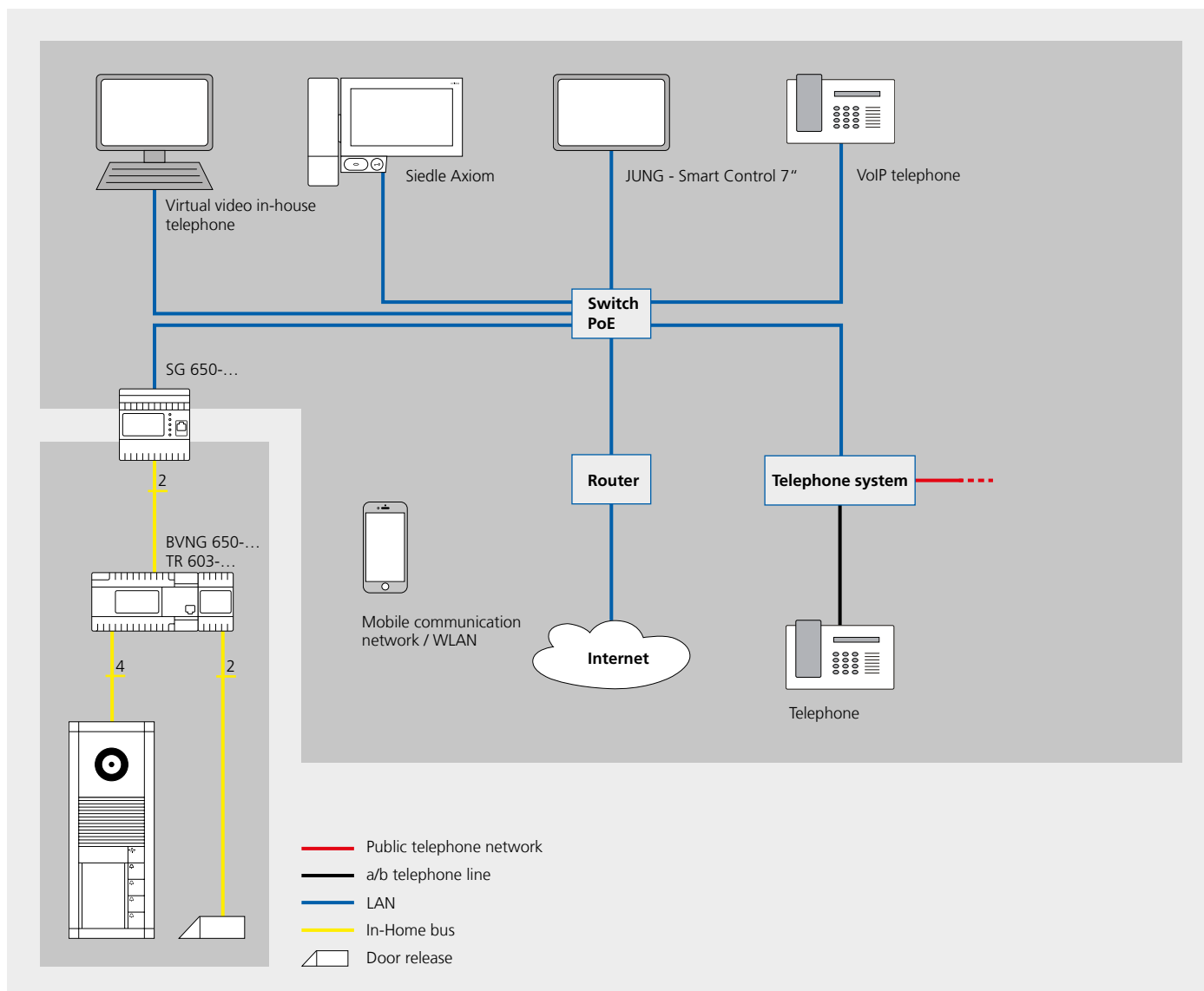
107 x 89 x 60

IP gateway



Remarks:

- Each Smart Gateway must be supplied via PoE or a separate ANG 600-... / VNG 602-... line rectifier.
- The Smart Gateway and smartphone require an Internet connection to use the Siedle app.



The Smart Gateway connects the In-Home bus to IP networks. As a top hat rail mounting device, it is intended for professional or private use in residential homes and commercial buildings.

The call, speech and video signals from the door are transmitted to the IP network. As remote stations in the IP network, the right solution is available for every requirement. Siedle Axiom as convenient indoor station with 7" touch-screen that can also be used to operate the KNX visualisation. Alternatively, a JUNG Smart Control 7" can also be used for these functions. The Siedle app is the mobile extension of the door communication system on a smartphone or tablet.

In business environments, the bus-software in-house telephone is available. This turns a PC into a virtual indoor station. In addition or alternatively, the audio signal can be transmitted to VoIP telephones or telephones of a telephone system.

Remarks:

- Each Smart Gateway must be supplied via PoE or a separate ANG 600-... / VNG 602-... line rectifier.
- The Smart Gateway and smartphone require an Internet connection to use the Siedle app.

IP gateway



SG 150-0

Smart Gateway: top hat rail device for private or professional use. Interface between In-Home bus, IP networks, the internet and mobile phone network: Call, speech and video signals from the door are transmitted to the IP network.

Functions

Interface for local or mobile forwarding of In-Home door communication in IP networks.

Highlights

- Mobile door call using smartphone app via the Siedle server (cloud service)
- Flexible expansion options for In-Home system with IP clients
- Siedle Axiom and JUNG TCM client can be used without user licence

Other performance features

- Support for the Siedle app for iPhone or Android smartphone
- Up to 10 IP users (subject to licence, 5 licences included)
- Group call of up to 6 IP users
- Parallel call to IP and In-Home bus end devices possible
- Direct door dialling from list
- Central video memory with automatic time controlled deletion of images (data protection compliant)
- Local extension of a door intercom system through the 7" Smart Control Panel from Albrecht Jung GmbH & Co. KG (www.jung.de)
- Connection of VoIP telephones (with and without video) (subject to licence)
- CTI door call: Audio transmission via the telephone network in parallel with video signal over an IP network possible, ensuring an audio link in optimum TC quality (subject to licence)
- Connection of TC systems (up to 3 simultaneous call connections)(subject to licence)

System requirements

- In-Home bus intercom system
- Each SG 150-... must be supplied via a separate ANG 600-... / VNG 602-...
- Alternatively, power can also be supplied via PoE according to IEEE 802.3af.
- For using the Siedle app via the Siedle server (cloud service):
- Smart Gateway:
 - Latest software version: 2.0.1
 - Active internet connection (Upload): The frame rate (number of frames per second) of the transmitted video stream from the Smart Gateway to the Siedle Server depends on the data transmission rate that is available for this connection at the time of the door call. The Smart Gateway dynamically adapts the frame rate to the available bandwidth:
 - Minimum bandwidth: 2 MBit/s (approx. 5 frames/second)
 - Recommended bandwidth: 4 MBit/s (approx. 10 frames/second)

Smartphone:

- Operating system: iOS 11.4 / Android 7 or higher
- The Siedle App is optimized for iPhone use. The app can be used with iPad too, but is not optimized for iPad use.
- Stable Wi-Fi or mobile network connection (3G/4G/5G): The frame rate (number of frames per second) of the transmitted video stream from the Siedle Server to the Siedle App depends on the data transmission rate that is available for the mobile network connection at the time of the door call:
 - Bandwidth 2 MBit/s: approx. 5 frames/second are shown
 - Bandwidth 4 MBit/s: approx. 10 frames/second are shown

Made in Germany

Designed and produced in Furtwangen in the Black Forest

Specifications

Operating voltage: 20–50 V DC, PoE in accordance with 802.3af
Operating current: max. 400 mA
Protection system: IP 20
Ambient temperature: 0 °C to +40 °C
Horizontal pitch (HP): 6
Dimensions (mm) W x H x D:
107 x 109 x 60



SG 650-0

Smart Gateway Professional: top hat rail device for private or professional use. Interface between In-Home bus, IP networks, the internet and mobile phone network: Call, speech and video signals from the door are transmitted to the IP network.

Functions

Interface for local or mobile forwarding of In-Home door communication in IP networks.

Highlights

- Mobile door call using smartphone app via the Siedle server (cloud service)
- Flexible expansion options for In-Home system with IP clients
- Siedle Axiom and JUNG TCM client can be used without user licence

Other performance features

- Support for the Siedle app for iPhone or Android smartphone
- Up to 50 IP users (subject to licence, 2 licences included)
- Group call of up to 6 IP users
- Parallel call to IP and In-Home bus end devices possible
- Direct door dialling from list
- Central video memory with automatic time controlled deletion of images (data protection compliant)
- Local extension of a door intercom system through the 7" Smart Control Panel from Albrecht Jung GmbH & Co. KG (www.jung.de)
- Connection of VoIP telephones (with and without video)
- CTI door call: Audio transmission via the telephone network in parallel with video signal over an IP network possible, ensuring an audio link in optimum TC quality
- Connection of TC systems (up to 3 simultaneous call connections)(subject to licence)

System requirements

- In-Home bus intercom system
- Each SG 650-... must be supplied via a separate ANG 600-... / VNG 602-...
- Alternatively, power can also be supplied via PoE according to IEEE 802.3af.
- For using the Siedle app via the Siedle server (cloud service):
- Smart Gateway:
 - Latest software version: 2.0.1
 - Active internet connection (Upload): The frame rate (number of frames per second) of the transmitted video stream from the Smart Gateway to the Siedle Server depends on the data transmission rate that is available for this connection at the time of the door call. The Smart Gateway dynamically adapts the frame rate to the available bandwidth:
 - Minimum bandwidth: 2 MBit/s (approx. 5 frames/second)
 - Recommended bandwidth: 4 MBit/s (approx. 10 frames/second)

Smartphone:

- Operating system: iOS 11.4 / Android 7 or higher
- The Siedle App is optimized for iPhone use. The app can be used with iPad too, but is not optimized for iPad use.
- Stable Wi-Fi or mobile network connection (3G/4G/5G): The frame rate (number of frames per second) of the transmitted video stream from the Siedle Server to the Siedle App depends on the data transmission rate that is available for the mobile network connection at the time of the door call:
 - Bandwidth 2 MBit/s: approx. 5 frames/second are shown
 - Bandwidth 4 MBit/s: approx. 10 frames/second are shown

Made in Germany

Designed and produced in Furtwangen in the Black Forest

Specifications

Operating voltage: 20–50 V DC, PoE in accordance with 802.3af
Operating current: max. 400 mA
Protection system: IP 20
Ambient temperature: 0 °C to +40 °C
Horizontal pitch (HP): 6
Dimensions (mm) W x H x D:
107 x 109 x 60

**ANG 600-0**

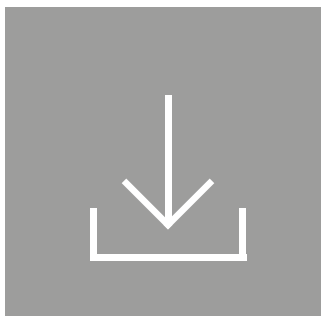
Access line rectifier in switch panel housing with 230 V AC switching contact.
 Operating voltage: 100–240 V AC, +/-10 %, 50/60 Hz
 Operating current: 0.5–1 A
 Output voltage: 48 V DC
 Output current: 800 mA
 Fusing: primary thermal fuse, secondary short circuit proof
 Contact type: changeover switch max. 250 V AC, 6 A
 Protection system: IP 20
 Ambient temperature: 0 °C to +40 °C
 Horizontal pitch (HP): 6
 Dimensions (mm) W x H x D:
 107 x 89 x 60

**Siedle App**

The Siedle app turns a smartphone (iOS, Android) into a mobile extension of a door intercom system from Siedle, via the Siedle server. The app has been specially developed for the requirements of door communication. It receives the door call, shows a live video feed (depending on the system), establishes a speech connection and opens the door. With built-in security and the ultimate in convenience. The video feed is available before the call is accepted. The speech quality fulfils Siedle's stringent standards, and the door is opened by pressing the familiar key symbol.

The Siedle app is the mobile complement to a door intercom system and does not replace an indoor device. For this reason, Siedle recommends always including a wired indoor station in your system planning alongside the app.

The complete functional scope of the Siedle app is described in the Apple App Store and the Google Play Store.

**BSHT 650-0**

The virtual in-house telephone assumes the function of a video indoor station as the client software on a Windows PC or a Windows-based operating panel.

Performance features:

- Control directly at the monitor by mouse click or fingertip pressure
 - Two view modes: Window and widget view
 - Audio and video door communication
 - Camera surveillance
 - Video memory
 - Direct door dialling from list
 - Receiving group calls
 - Switching and control functions (e.g. for door opening and light switching)
- Available for the Smart Gateway Professional (SG 650-0)
- Subject to licence, 2 licences for Smart Gateway Professional (SG 650-0) included
 - CTI door call: Audio transmission via the telephone network in parallel with the video signal possible over Ethernet, ensuring an audio link in optimum TC quality
- Minimum system requirements:
- Microsoft® Windows 8, Windows 8 Pro/Enterprise - (32/64 Bit)
 - Microsoft® Windows 8.1, Windows 8.1 Pro/Enterprise - (32/64 Bit)
 - Microsoft® Windows 10 Home/Pro/Enterprise - (32/64 Bit)
 - At least Microsoft® DirectX® 9.0c
 - CPU: Dual-Core from 2.0 GHz
 - At least 2 GB RAM
 - Graphics card with at least 1024 x 768 pixel, at least full support for DirectX® 9.0c / Direct3D® 9
 - Ethernet card/Network connection: 100 Mbit
 - Sound card with connected headset/loudspeaker and microphone (depending on operating mode; a headset/loudspeaker is always required on the computer for signalling a storey call acoustically)

BLT 250-0

Application licence for enabling an external connecting channel for VoIP telephony between an VoIP telephone system (SIP client/SIP trunk) and the Smart Gateway. One application licence BLT 250-0 can be imported per Smart Gateway. One free user licence BLC 250-0 is additionally required for the integration of a VoIP telephone system.

BLSHT 250-0

Application licence for enabling the BSHT 650-... virtual in-house telephone on a SG 150-... Smart Gateway. One BLSHT 250-... application licence can be imported per Smart Gateway. One free BLC 250-0 user licence is additionally required for the integration of the virtual in-house telephone. The BSHT 650-... software is available to download free of charge for your laptop/PC in Siedle's download area.

BLC 250-0

Licence for an additional IP user at the Smart Gateway. Purchase orders can be placed via the "My Siedle" service portal: www.siedle.com/mysiedle

BLF 250-0

Application licence for enabling VoIP telephones on the SG 150-... Smart Gateway. One BLF 250-... application licence can be imported per Smart Gateway. One free BLC 250-0 user licence is additionally required for the integration of a VoIP telephone.

System examples

Siedle In-Home bus: Video with Compact flush mounting

	1 residential unit	2 residential units
Siedle Compact flush mounting	1 BCVU 850-1-0	1 BCVU 850-2-0
Current supply	1 BVNG 650-0	1 BVNG 650-0
	1 TR 603-0	1 TR 603-0
Audio indoor station Siedle Basic	1 VIB 150-0	2 VIB 150-0
Bus video panel	1 BVPC 850-0 W 1 LNG 600-0	2 BVPC 850-0 W 1 LNG 600-0
Standard bus telephone	1 BTSV 850-03 W	2 BTSV 850-03 W
Comfort bus telephone	1 BTCV 850-03 W	2 BTCV 850-03 W

Siedle In-Home bus: Video with Compact surface mounting

	1 residential unit	2 residential units
Siedle Compact surface mounting	1 BCV 850-1-01	1 BCV 850-2-01
Current supply	1 BVNG 650-0	1 BVNG 650-0
	1 TR 603-0	1 TR 603-0
Audio indoor station Siedle Basic	1 VIB 150-0	2 VIB 150-0
Bus video panel	1 BVPC 850-0 W 1 LNG 600-0	2 BVPC 850-0 W 1 LNG 600-0
Standard bus telephone	1 BTSV 850-03 W	2 BTSV 850-03 W
Comfort bus telephone	1 BTCV 850-03 W	2 BTCV 850-03 W

Siedle In-Home bus: Video with Siedle Classic

	1 residential unit	2 residential units	3 residential units	4 residential units
Door station	1 F CL V130 01 B-01	1 F CL V130 02 B-01	1 F CL V130 03 B-01	1 F CL V130 04 B-01
Flush-mount housing	1 GU CL 06-0	1 GU CL 07-0	1 GU CL 08-0	1 GU CL 09-0
Distribution	1 BVNG 650-0 1 TR 602-01	1 BVNG 650-0 1 TR 602-01	1 BVNG 650-0 1 TR 602-01	1 BVNG 650-0 1 TR 602-01
Video indoor station Siedle Basic	1 VIB 150-0	2 VIB 150-0	3 VIB 150-0	4 VIB 150-0
Bus video panel	1 BVPC 850-0 W 1 LNG 600-0	2 BVPC 850-0 W 1 LNG 600-0	3 BVPC 850-0 W 1 LNG 600-0	4 BVPC 850-0 W 2 LNG 600-0
Bus telephone standard with colour monitor	1 BTSV 850-03 W	2 BTSV 850-03 W	3 BTSV 850-03 W	4 BTSV 850-03 W
Bus telephone comfort with colour monitor*	1 BTCV 850-03 W	2 BTCV 850-03 W	3 BTCV 850-03 W	4 BTCV 850-03 W
Optional Pilfer safeguard	1 ZDS/CL	1 ZDS/CL	1 ZDS/CL	1 ZDS/CL

Siedle In-Home bus: Video with Vario flush-mount system

	1 residential unit	2 residential units	3 residential units	4 residential units	8 residential units	12 residential units
Door loudspeaker module	1 BTLM 650-04	1 BTLM 650-04	1 BTLM 650-04	1 BTLM 650-04	1 BTLM 650-04	1 BTLM 650-04
Camera module	1 BCM 653-02	1 BCM 653-02	1 BCM 653-02	1 BCM 653-02	1 BCM 653-02	1 BCM 653-02
Call button module	1 BTM 650-01	1 BTM 650-02	1 BTM 650-03	1 BTM 650-04	2 BTM 650-04	3 BTM 650-04
Flush-mount housing	1 GU 611-3/1-0	1 GU 611-3/1-0	1 GU 611-3/1-0	1 GU 611-3/1-0	1 GU 611-4/1-0	2 GU 611-3/1-0
Mounting frame	1 MR 611-3/1-0	1 MR 611-3/1-0	1 MR 611-3/1-0	1 MR 611-3/1-0	1 MR 611-4/1-0	2 MR 611-3/1-0
Combination frame	1 KR 611-3/1-0	1 KR 611-3/1-0	1 KR 611-3/1-0	1 KR 611-3/1-0	1 KR 611-4/1-0	1 KR 611-3/2-0
Current supply	1 BVNG 650-0	1 BVNG 650-0	1 BVNG 650-0	1 BVNG 650-0	1 BVNG 650-0	1 BVNG 650-0
	1 TR 603-0	1 TR 603-0	1 TR 603-0	1 TR 603-0	1 TR 603-0	1 TR 603-0
Video indoor station Siedle Basic	1 VIB 150-0	2 VIB 150-0	3 VIB 150-0	4 VIB 150-0	8 VIB 150-0	12 VIB 150-0
Bus video panel	1 BVPC 850-0 W	2 BVPC 850-0 W	3 BVPC 850-0 W	4 BVPC 850-0 W	8 BVPC 850-0 W	12 BVPC 850-0 W
	1 LNG 600-0	1 LNG 600-0	1 LNG 600-0	2 LNG 600-0	3 LNG 600-0	4 LNG 600-0
Bus telephone						
standard with colour monitor	1 BTSV 850-03 W	2 BTSV 850-03 W	3 BTSV 850-03 W	4 BTSV 850-03 W	8 BTSV 850-03 W	12 BTSV 850-03 W
Bus telephone						
comfort with colour monitor**	1 BTCV 850-03 W	2 BTCV 850-03 W	3 BTCV 850-03 W	4 BTCV 850-03 W	8 BTCV 850-03 W	12 BTCV 850-03 W
Optional						
Pilfer safeguard	1 DSC 602-0	1 DSC 602-0	1 DSC 602-0	1 DSC 602-0	1 DSC 602-0	2 DSC 602-0
	2 ZDS 601-0	2 ZDS 601-0	2 ZDS 601-0	2 ZDS 601-0	2 ZDS 601-0	4 ZDS 601-0

Siedle In-Home bus: Video with Vario surface-mount system

	1 residential unit	2 residential units	3 residential units	4 residential units	8 residential units	12 residential units
Door loudspeaker module	1 BTLM 650-04	1 BTLM 650-04	1 BTLM 650-04	1 BTLM 650-04	1 BTLM 650-04	1 BTLM 650-04
Camera module	1 BCM 653-02	1 BCM 653-02	1 BCM 653-02	1 BCM 653-02	1 BCM 653-02	1 BCM 653-02
Call button module	1 BTM 650-01	1 BTM 650-02	1 BTM 650-03	1 BTM 650-04	2 BTM 650-04	3 BTM 650-04
Surface-mount housing	1 GA 612-3/1-0	1 GA 612-3/1-0	1 GA 612-3/1-0	1 GA 612-3/1-0	1 GA 612-4/1-0	1 GA 612-3/2-0
Mounting frame	1 MR 611-3/1-0	1 MR 611-3/1-0	1 MR 611-3/1-0	1 MR 611-3/1-0	1 MR 611-4/1-0	2 MR 611-3/1-0
Current supply	1 BVNG 650-0	1 BVNG 650-0	1 BVNG 650-0	1 BVNG 650-0	1 BVNG 650-0	1 BVNG 650-0
	1 TR 603-0	1 TR 603-0	1 TR 603-0	1 TR 603-0	1 TR 603-0	1 TR 603-0
Video indoor station Siedle Basic	1 VIB 150-0	2 VIB 150-0	3 VIB 150-0	4 VIB 150-0	8 VIB 150-0	12 VIB 150-0
Bus video panel	1 BVPC 850-0 W	2 BVPC 850-0 W	3 BVPC 850-0 W	4 BVPC 850-0 W	8 BVPC 850-0 W	12 BVPC 850-0 W
	1 LNG 600-0	1 LNG 600-0	1 LNG 600-0	2 LNG 600-0	3 LNG 600-0	4 LNG 600-0
Bus telephone						
standard with colour monitor	1 BTSV 850-03 W	2 BTSV 850-03 W	3 BTSV 850-03 W	4 BTSV 850-03 W	8 BTSV 850-03 W	12 BTSV 850-03 W
Bus telephone						
comfort with colour monitor*	1 BTCV 850-03 W	2 BTCV 850-03 W	3 BTCV 850-03 W	4 BTCV 850-03 W	8 BTCV 850-03 W	12 BTCV 850-03 W
Optional						
Pilfer safeguard	1 DSC 602-0	1 DSC 602-0	1 DSC 602-0	1 DSC 602-0	1 DSC 602-0	2 DSC 602-0
	2 ZDS 601-0	2 ZDS 601-0	2 ZDS 601-0	2 ZDS 601-0	2 ZDS 601-0	4 ZDS 601-0



Siedle Access

IP-based door communication	54
Fields of application	54
System benefits	56

Siedle Access Professional	58
Access Professional system house	58
Door loudspeaker, call button and call modules	60
Cameras and accessories	62
Indoor devices and accessories	64
Software	66
Siedle apps	66
Supply units	68
User licences	69
Server hardware and accessories	69
References	70
Function overview	72

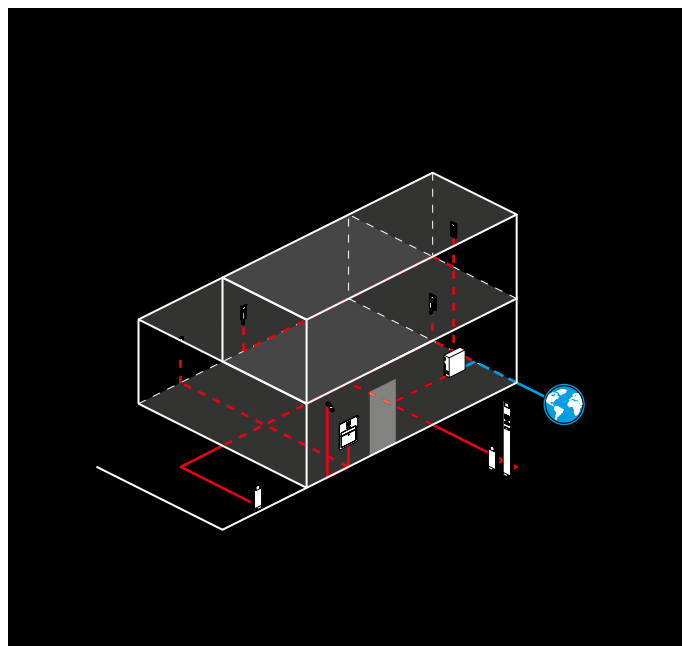
IP-based door communication

Siedle Access makes door communication part of the IP world. From the door controller to the call station, every device is compatible with the international standard for infrastructure in communication and data networks, structured wiring. Access integrates seamlessly into an IP network, adding the whole functional scope of Siedle system technology, from speech connection using video and intercom through to complex switching and control functions.

The traditional strengths of Siedle systems are brought fully to bear also in the new, digital world. Security is the utmost priority, because at the threshold which represents the border between private and public space, the most stringent requirements apply. This is why Siedle never routes a network or IP protocol to the outside. In addition to security, we focus on flexibility and individuality.

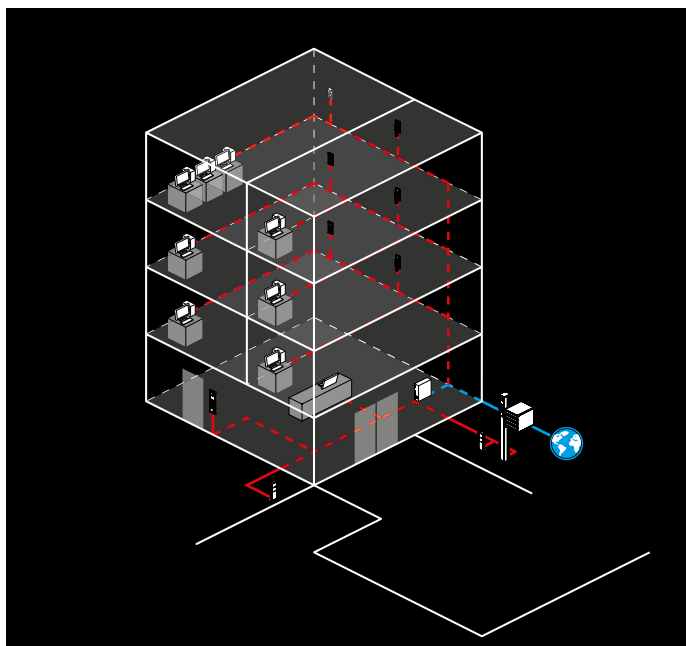
Siedle Access is not restricted to certain product types; the system allows for a wide choice between the Vario, Steel and Classic design lines. Indoors, the enormous diversity of Siedle indoor stations is extended through the use of third-party devices from the field of telephony, as well as software clients such as a virtual in-house telephone, concierge software and the Siedle apps for iPhone and iPad.

Fields of application



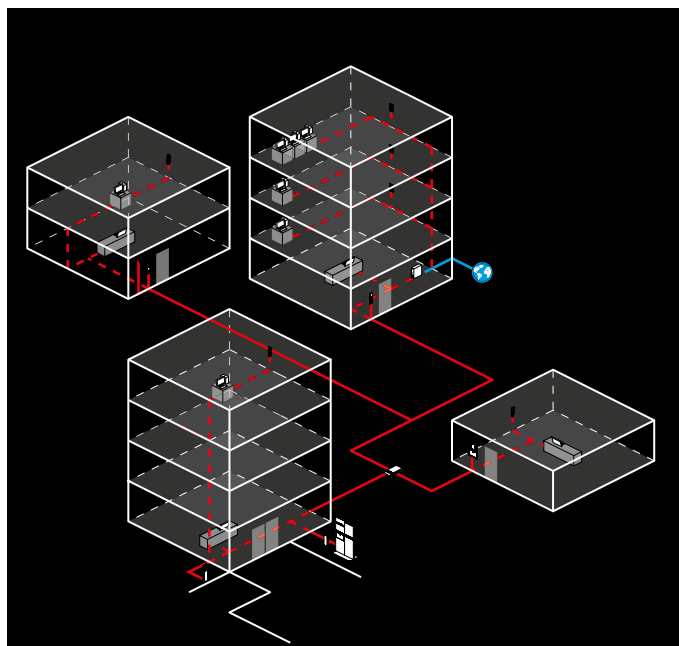
Detached family home

The convenience which is a key aspect of sophisticated modern living is provided by complex, increasingly networked automation and media control systems. IP-based networking is the common platform for all these applications. In today's digital world, building communication with Siedle Access fits in seamlessly from the planning stage through installation to operation. The many technical benefits are underpinned by the excellent quality of the materials, workmanship and prize-winning design which defines Siedle products. For discerning private property owners, good design and a sophisticated impression often play a decisive role.



Multiple occupancy buildings

The system benefits of Siedle Access are brought fully to bear in large and complex properties. Whether maximum conductor length, number of doors, users or speech channels – Access offers a solution for all situations. When it comes to the wiring, an IP system really comes into its own. Where in the past thick cable cores had to be laid, today a simple network cable is sufficient. There is complete flexibility about which end devices are connected up to this cable. Whether classical or virtual video indoor stations, concierge software or third-party devices: everything is possible, everything can be changed – also at a later date. This makes planning with Access simple, speedy and therefore affordable: wherever the IP infrastructure is available, Access is able to respond variably to the needs of the users.



More than one location

For use in several geographically separated locations, Siedle Access offers the ideal solution. Just like the internal LAN, a comprehensive WAN can provide the basis for the system. Whether you require central surveillance and management using the concierge software, remote communication or joint administration: Siedle Access links locations across almost any distance. The server architecture simplifies overall system management and enhances system efficiency.

System benefits

Security

- Reliable door concept: No access to the internal network in accessible entrance area
- Secured data transmission
- Authentication mechanisms and access protection to configurations
- Device and conductor surveillance: Status and error signals and status reports can be accessed via the administrator interface.
- Use of high-performance, reliable and failsafe hardware

Simple planning

- Minimal Siedle-specific knowledge is required, planning takes place on the basis of known network standards
- Device, group and call list assignments can be adjusted at any time
- PoE supply to Siedle indoor stations eliminates the need for additional power supply planning

Efficient data transmission

- No relevant range restriction
- Efficient video transmission (H.264 standard or MJPEG)
- Natural speech quality for audio transmission (G.711 audio coding)
- Parallel switching and group formation of IP users

Server-based system

- Extensive central configuration with storage facility and client capability via web browser
- Direct access to all devices over the central server
- Efficient communication functions (e.g. group formation) can be implemented
- Optimum location networking
- Efficient service functionality through central software updates, troubleshooting and backup facility
- Central monitoring
- Centrally available links to non-Siedle systems

Call station flexibility

- Wide choice of different call stations for all fields of application
- Door stations from the Vario, Classic or Steel design lines with their wide functional, mounting and design scope
- Calls placed using call button module, display call module or dialling keypad (code lock)
- Siedle audio or video indoor stations, with receiver or handsfree, wall mounted or in a table-top version, in a range of different design variants through to special paintwork finishes or for branding by the application of logos
- Virtual in-house video telephone in the form of PC software
- Concierge software
- Siedle app for iPhone and iPad

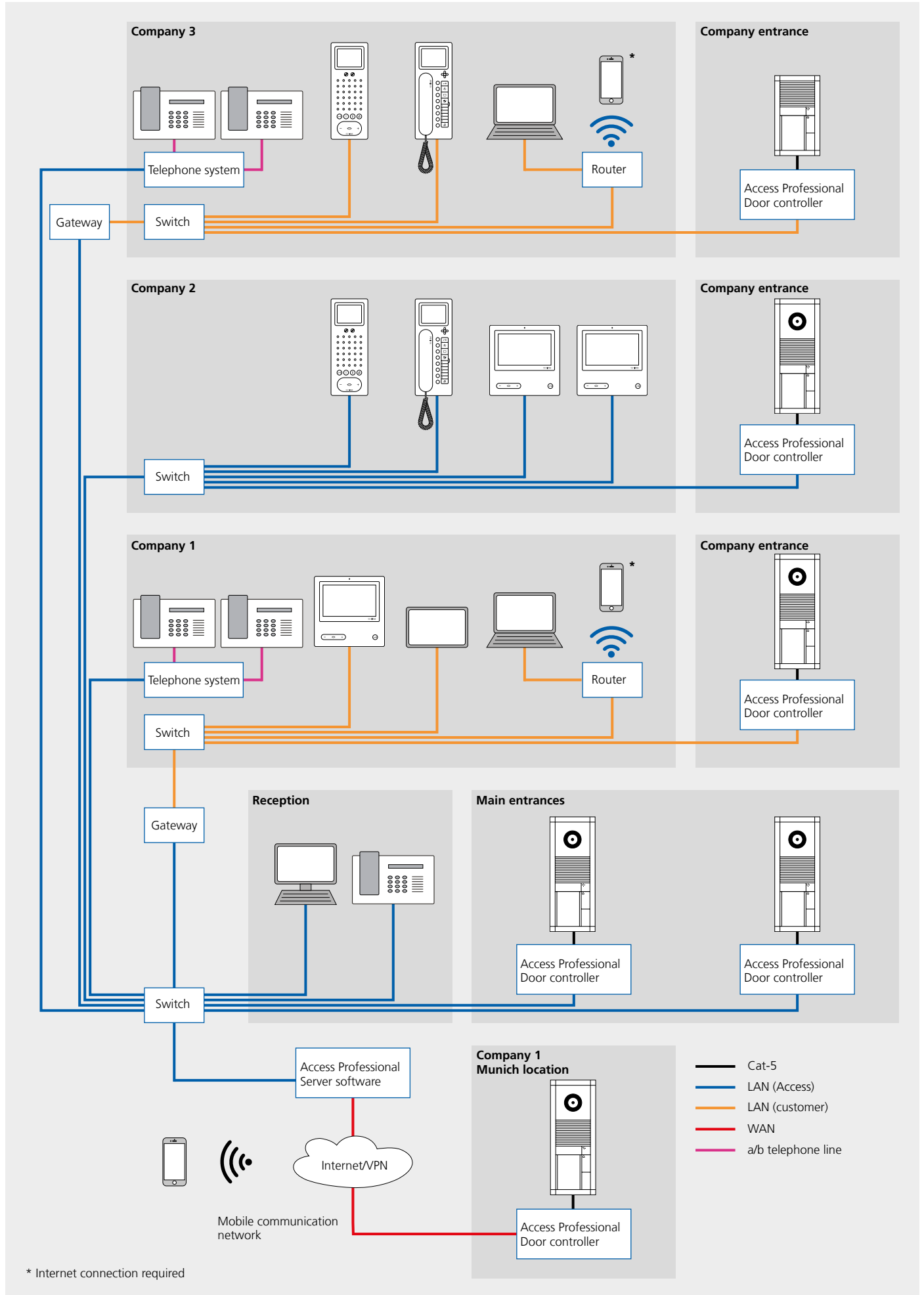
Integration capability

- Integration of VoIP telephones with and without video
- Integration of analogue surveillance cameras
- Connection to telephone systems (terminal adapter) – without supplementary components
- Linking to and operation with KNX building system technology
- IP camera displays possible

Extension and upgrade capability

- Extension of the system possible at any point of the network at any time
- Function expansions by means of updates or licences
- All devices can be updated over the central server
- Updates are made available as a complete package

Access Professional system house



Software system

In its highest expansion stage, Access is a pure software system based on Microsoft Server architecture. It can be operated in any IT environment which complies with the specifications, and so addresses the wish of many IT systems operators to integrate an IP communication system into their own IT environment.

On request, precisely coordinated and tested PC hardware is also available from Siedle as an accessory. However, unlike earlier systems, the use of Siedle hardware is no longer a requirement for reliable function, support and warranty.

Virtualization

Siedle Access Professional can be operated completely in a virtual machine.

Door loudspeaker, call button and call modules



ATLC/NG 670-0

Access door loudspeaker controller with line rectifier in switch panel housing as an interface for the connection and power supply of door components to the Access Professional network. Switch contact for door release and freely programmable switching input. Operating voltage: 100–240 V AC, +/-10 %, 50/60 Hz
Operating current: 0.5–1 A
Output voltage:
ANG 600-...: 48 V DC;
ATLC 670-...: 10–16 V
Output current: ANG 600-...: 800 mA;
ATLC 670-...: AC/DC max. 700/300 mA
Fusing: primary T 2 A, secondary short circuit proof
Contact type: ANG 600-...: change-over switch max. 250 V AC, 6 A;
ATLC 670-...: n.o. contact 30 V, 2 A
Protection system: IP 30
Ambient temperature: 0 °C to +40 °C
Horizontal pitch (HP): 2 x 6
Dimensions (mm) W x H x D:
107 x 89 x 60



ATLM 670-0

Access door loudspeaker module for Siedle Vario with integrated loudspeaker and microphone. Performance features:

- Front grille made of weather and UV-resistant polycarbonate
- Loudspeaker, voice volume can be adjusted
- Durable electret microphone
- Light button with LED-lit light symbol
- Connection of a ZAM 670-... status display module for optical and acoustic signalling of the operating state
- Acoustic feedback when pressing a call button can be activated

Up to max. 48 call button modules can be connected in any combination, allowing up to max. 192 call buttons to be connected.
Ambient temperature: –20 °C to +55 °C
Protection system: IP 54
Height of structure (mm): 9
Dimensions (mm) W x H x D:
99 x 99 x 35



ATLM 671-0

Access door loudspeaker module Plus for Siedle Vario with integrated loudspeaker and microphone, as well as additional audio amplifier and noise filter. Performance features:

- Front grille made of weather and UV-resistant polycarbonate (via the Access server)
- Loudspeaker, voice volume can be adjusted
- Voice volume can be doubled via the audio amplifier
- Durable electret microphone
- Light button with LED-lit light symbol
- Connection of a ZAM 670-... status display module for optical and acoustic signalling of the operating state is possible
- Acoustic feedback when pressing a call button can be activated

Ambient temperature: –20 °C to +55 °C
Protection system: IP 54
Height of structure (mm): 9
Dimensions (mm) W x H x D:
99 x 99 x 35



ATLE 670-0

Access custom-fit door loudspeaker with bus call button matrix for installation in the customer's intercom compartments, door constructions, letterboxes, etc. Up to 12 of the customer's call buttons can be directly connected to the BRMA 050-... bus call button matrix. Performance features:

- Loudspeaker
- Durable electret microphone
- Connection of a ZAM 670-... status display module for optical and acoustic signalling of the operating state
- Control output for external camera
- Universal fastening options, when used with the ZI 051-... grille, it can be screwed onto this directly

Protection system: Dependent on the mounting conditions
Dimensions (mm) W x H x D:
ATLE 670-0 124 x 60 x 31,
BRMA 050-01 53 x 100 x 17
Dimensions housing (mm) W x H x D:
100 x 60 x 31



ATLCE 670-0

Access door loudspeaker controller extension in switch panel housing with 4 outputs and 2 inputs. A maximum of 3 ATLCE 670-... units can be connected in series to an ATLC 670-... by means of ribbon cable. Protection system: IP 20
Ambient temperature: 0 °C to +40 °C
Horizontal pitch (HP): 3
Dimensions (mm) W x H x D:
53.5 x 89 x 60



BRMA 050-01

Bus call button matrix for connecting 12 on-site call buttons to the BTLE 050-.../ATLE 670-... custom-fit door loudspeaker. Max. 14 BRMA 050-... can be connected to 1 BTLE 050-...
Max. 16 BRMA 050-... can be connected to 1 ATLE 670-...
Dimensions (mm) W x H x D:
53 x 100 x 17

**BTM 650-01**

Bus call button module with nameplate pocket and 1 separate call button with bell symbol.

Nameplate size (mm) W x H: 65 x 94

Call button (mm) W x H: 24 x 49

Protection system: IP 54

Ambient temperature: -20 °C to +55 °C

Dimensions (mm) W x H x D:

99 x 99 x 27

**BTM 650-02**

Bus call button module with 2 nameplate pockets and 2 separate call buttons with bell symbol.

Nameplate size (mm) W x H: 65 x 44.5

Call button (mm) W x H: 24 x 49

Protection system: IP 54

Ambient temperature: -20 °C to +55 °C

Dimensions (mm) W x H x D:

99 x 99 x 27

**BTM 650-03**

Bus call button module with 3 nameplate pockets and 3 separate call buttons with bell symbol.

Nameplate size (mm) W x H: 65 x 28

Call button (mm) W x H: 24 x 32

Protection system: IP 54

Ambient temperature: -20 °C to +55 °C

Dimensions (mm) W x H x D:

99 x 99 x 27

**BTM 650-04**

Bus call button module with 4 nameplate pockets and 4 separate call buttons with bell symbol.

Nameplate size (mm) W x H: 65 x 19.5

Call button (mm) W x H: 24 x 24

Protection system: IP 54

Ambient temperature: -20 °C to +55 °C

Dimensions (mm) W x H x D:

99 x 99 x 27

**DRM 612-01**

Display call module as an input device with 4-line display for placing door calls. Indication of names in the display in alphabetical order.

The DRM 612-... can also be used in combination with the COM 611-... in order to display the input via the DRM 612-...

Operating voltage: 12 V AC

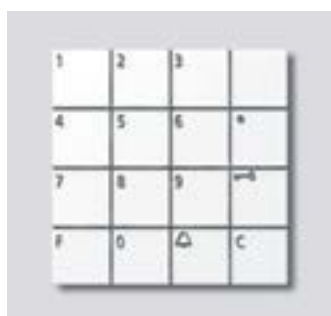
Operating current: max. 200 mA

Protection system: IP 54

Ambient temperature: -20 °C to +55 °C

Dimensions (mm) W x H x D:

99 x 99 x 27

**COM 611-02**

Code lock module as an input device for the placement of door calls and codes for control functions in conjunction with Access and the Siedle access control system.

- With keypad for making calls or
- For controlling in conjunction with the entrance controller EC 602-...
- C button for cancelling incorrect inputs
- DR button for direct door release via the EC 602-...

Operating voltage: 12 V AC

Operating current: max. 140 mA

Protection system: IP 54

Ambient temperature: -20 °C to +55 °C

Dimensions (mm) W x H x D:

99 x 99 x 27

Cameras and accessories



ACM 670-03

Access camera 80 for Siedle Vario with automatic day/night switchover (True Day/Night) and integrated infrared lighting. Horizontal/vertical pick-up angle: appr. 80°/60°

Performance features:

- Colour system: PAL
- Image pick-up: CMOS sensor 1/3" 756 x 504 Pixel
- Resolution: 550 TV lines
- Lens: 2.9 mm
- Mechanical adjustment range: 30° horizontal/vertical
- 2-step heating: Integrated
- Protection system: IP 54, IK 10
- Ambient temperature: -20 °C to +55 °C
- Height of structure (mm): 32
- Dimensions (mm) W x H x D: 99 x 99 x 58



ACM 673-02

Access camera 130 for Siedle Vario with automatic day/night switchover (True Day/Night) and integrated infrared lighting. Horizontal/vertical pick-up angle: appr. 130°/100°

Performance features:

- Colour system: PAL
- Image pick-up: CMOS sensor 1/3" 756 x 504 Pixel
- Resolution: 550 TV lines
- Lens: 2.1 mm
- Continuous operation: suitable
- 2-step heating: Integrated
- Protection system: IP 54, IK 10
- Ambient temperature: -20 °C to +55 °C
- Height of structure (mm): 15
- Dimensions (mm) W x H x D: 99 x 99 x 41



ACM 678-02

Access camera 180 for Siedle Vario with automatic day/night switchover (True Day/Night) and integrated infrared lighting. Horizontal/vertical pick-up angle: appr. 175°/120°

Performance features:

- Full screen or 9 picture excerpts can be selected
- Electronic image rectification in full screen
- Extended pick-up angle in edge area for selected picture excerpt
- Backlight compensation (BLC)
- Colour system: PAL
- Image pick-up: CMOS sensor 1/2.7" 1920 x 1080 pixels
- Resolution: 600 TV lines
- Lens: 1.55 mm
- Continuous operation: suitable
- 2-step heating: Integrated
- Protection system: IP 54, IK 10
- Ambient temperature: -20 °C to +55 °C
- Height of structure (mm): 15
- Dimensions (mm) W x H x D: 99 x 99 x 41

Delivery date: in preparation.

**CE 600-01**

Colour CCD video camera external mounting with automatic day/night switchover (True Day/Night) and integrated infrared lighting. Horizontal pick-up angle: appr. 81.2°–22.5°

Performance features:

- Colour system: PAL
 - Image pick-up: CCD sensor 1/3" 976 x 582 Pixel
 - Resolution: 750 TV lines
 - Lens: 2.8–12 mm
 - Mechanical adjustment range: 160° horizontal/180° vertical
 - Continuous operation: suitable
 - Video output: 1 Vss at 75 Ohm
- Operating voltage: 20–50 V DC
 Operating current: max. 250 mA
 Protection system: IP 67
 Ambient temperature: –20 °C to +50 °C
 Dimensions (mm) W x H x D:
 75.3 x 76 x 218.5

**CE 950-01**

Colour CCD video camera external mounting with automatic day/night switchover (True Day/Night) and integrated infrared lighting. Horizontal pick-up angle: ca. 45.6°–4.0°

Performance features:

- Colour system: PAL
 - Image pick-up: CCD sensor 1/4" 976 x 582 Pixel
 - Resolution: 700 TV lines
 - Lens: 3.8–45.6 mm
 - Mechanical adjustment range: 180° horizontal/vertical
 - Continuous operation: suitable
 - Video output: 1 Vss at 75 Ohm
- Operating voltage: 20–50 V DC
 Operating current: max. 500 mA
 Protection system: IP 67
 Ambient temperature: –20 °C to +50 °C
 Dimensions (mm) W x H x D:
 100 x 108 x 267

**AIVS 670-0**

Access analog video standard interface in surface-mount housing for connection of an analog camera to the ATLC 670-... Following a door call, the picture from the analog camera automatically appears on the Access indoor call station. Manual selection of the door is also possible. The camera cannot be controlled.

Protection system: IP 65

Ambient temperature: –20 °C to +55 °C

Dimensions (mm) W x H x D:

122 x 122 x 56

Dimensions housing (mm) W x H x D:

93 x 93 x 56

Indoor devices and accessories

Audio



AHT 870-0

Access in-house telephone with door release button and 7 additional buttons with 2-colour status LED. All buttons are freely programmable. The display shows the graphic menu interface, but not a camera image. It is possible to upgrade to a fully functional video station.

With the functions calling, speech, door release, light, remote switching and call barring.

With the additional purchase of the AUV 870-... T, the AHT 870-... can be transformed into a fully valid video indoor device.

Performance features:

- Display 8.8 cm
 - Input for storey call
 - Output freely programmable
 - Call differentiation between door calls, storey calls, and internal calls
 - Switching functions
 - Status messages
 - Can be used with table-top accessory AZTV 870-... as a table-top device
- Operating voltage: PoE in accordance with 802.3af
Ambient temperature: +5 °C to +40 °C
Dimensions (mm) W x H x D:
106 x 278 x 51



AFS 870-0

Access Standard handsfree telephone made of high-grade plastic. Ergonomically optimised design for easy operation, outstanding acoustics.

With the basic functions calling, speech, vision, door release and call barring.

Performance features:

- Excellent speech reproduction and high volume
 - LED status display: Incoming calls, active call, muting
 - Audio privacy device
 - Muting and status display
 - Call display on the speech button
 - One button can be freely configured
 - Manual door connection even without a door call
 - Input for storey call
 - Speech and call volume in five stages
 - Call differentiation between door calls, storey calls, and internal calls
 - Central commissioning
 - Can be updated via the Access system
- Operating voltage: PoE in accordance with 802.3af
Ambient temperature: +5 °C to +40 °C
Dimensions (mm) W x H x D:
79 x 133 x 23

Planned availability from Q3/2020.

Video



AHTV 870-0

Access in-house telephone video with door release button and 7 additional buttons with 2-colour status LED. All buttons are freely programmable. The display shows the camera image and the graphic menu interface.

With the functions calling, speech, door release, vision, light, remote switching and call silencing.

Performance features:

- Display 8.8 cm
 - Entrance for storey calls
 - Exit freely programmable
 - Call differentiation between door calls, storey calls and indoor calls
 - Switching functions
 - Status indications
 - Video memory function
 - Integrated 5-way control button
 - Can be used with table-top accessory AZTV 870-... as a table-top device
- Operating voltage: PoE in accordance with 802.3af
Ambient temperature: +5 °C to +40 °C
Dimensions (mm) W x H x D:
106 x 278 x 51



AFSV 870-0

Access Standard video handsfree telephone with colour monitor. Ergonomically optimised design for easy operation, outstanding acoustics.

With the basic functions calling, speech, vision, door release and call barring.

Performance features:

- Display (8.8 cm) with brightness and colour saturation control
 - Excellent speech reproduction and high volume
 - LED status display: Incoming call, active call, muting, system status, error status
 - Audio privacy device
 - Muting and status display
 - Call display on the speech button
 - Two buttons can be freely configured
 - Manual door connection even without a door call
 - Input for storey call
 - Speech and call volume in five stages
 - Call differentiation between door calls, storey calls, and internal calls
 - Central commissioning
 - Can be updated via the Access system
- Operating voltage: PoE in accordance with 802.3af
Ambient temperature: +5 °C to +40 °C
Dimensions (mm) W x H x D:
106 x 278 x 27

Planned availability from Q3/2020.



AZTV 870-0

Access table-top accessory for Access in-house and handsfree telephones for conversion from wall mounted to table-top device, slip-proof console. Connecting cable: 2 x 8-core 3 m long with RJ45 plug



AZA 870-0

Access surface-mounting accessory for professional surface mounting of Access in-house and handsfree telephones. Comprises a connection adapter and 4 spacers. The raised height is increased by 8 mm. Due to the different lengths needed, the required patch cable does not form part of the scope of supply.



AZIO 870-0

Access input/output accessory as circuit board for integration in an indoor unit with an additional input/output.



AUV 870-0

Access upgrade video subsequently enables the video function in an audio device. For the in-house telephone AHT 870-..., the AUV 870-0 T is required / for the handsfree telephone AHF 870-..., the AUV 870-0 F.

Link-up to building automation

Door communication plus building automation: a sensible combination. All the more so when both systems require only a single control panel. Cooperation with Jung makes it possible: the Access video panel from Siedle operates the automation server* from Jung. Tapping with a finger opens the Jung user interface – and with it the complete functionality of building automation with KNX. At the same time, the Siedle panel remains a compact surface mounted device optimized for communication with ideal acoustics and mechanical buttons – in many cases this provides an alternative to the classical automation panel.

*Smart Visu Server or Visu Pro Server (further information can be found at: www.jung.de)



AVP 870-0

Access video panel with 17.5 cm touchscreen for the Access Professional system, made of high-grade plastic. The panel is a system product with a low-profile surface mount housing for wall and table-top mounting. It provides ergonomically designed intuitive user prompting with gesture control. With the functions calling, speech, vision, door release, light, remote switching and call silencing.

Performance features:

- Individual crafted design concept offering a wide choice of varied features and finishes
- Display offers graphic scope for individual operation
- 17.8 cm (7") touchscreen, resolution 800 x 480 Pixel
- Brilliant image reproduction
- Excellent audio quality (dual loud-speaker technology)
- Input for storey call
- Output freely programmable
- Additional inputs and outputs with Access input/output accessory AZIO 870-...
- Call differentiation between door calls, storey calls, and internal calls
- Switching functions
- Video memory function
- Can be used with table-top accessory AZTVP 870-... as a table-top device
- Update capability using the Access server

Operating voltage: PoE in accordance with 802.3af

Ambient temperature: +5 °C to +40 °C

Dimensions (mm) W x H x D:

202 x 202 x 30



AZTVP 870-0

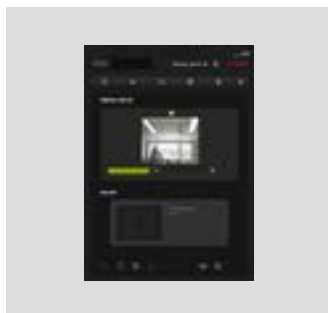
Table-top accessory for the video panel AVP 870-... for conversion from a wall to a table unit.

Performance features:

- Individual design concept with 3 design variants
- Slip-proof table foot
- Cable guide
- 2 connecting cables with RJ45 plug

Design variants	Order key
White	...W
Black	...S
Stainless steel	...E

Software



ASHT 170-0

Access application licence "Access in-house telephone software" for the operation of ASHT software on the Access Professional system.

The ASHT enables audio and video door communication via Windows-based PCs or control panels.

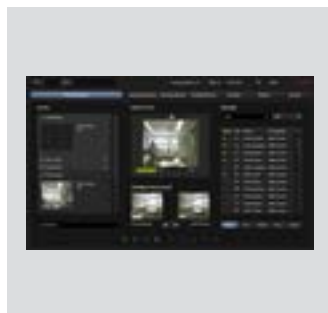
Function overview:

- Call differentiation between door calls, storey calls and indoor calls
- Device and user overview
- Users, doors and devices can be selected from lists
- Global contact list
- Status displays of switchgear
- Switching functions via ATLC/ATLCE or KNX

System requirements:

- Microsoft® Windows 8, 8.1, 10
- Microsoft® .NET Framework 4.6.2 or later
- Microsoft® VC++ 2015 Redistributable Package (x86)
- Microsoft® Media Feature Pack (Windows N and KN editions only)
- At least Microsoft® DirectX® 9.0c

- CPU: Dual-Core from 2.0 GHz
- At least 2 GB RAM
- Graphics card with at least 1280 x 800 pixel, 128 MB RAM
- Ethernet card/Network connection: 100 Mbit
- Sound card



ASC 170-0

Access application licence "Access Software Concierge" for the operation of the ASC software on the Access Professional system.

The ASC is the central communication interface at the reception.

Function overview:

- Several audio and video links can be depicted simultaneously
- Convenient forwarding functions
- Music-on-hold
- Status overview of all Doormatic door statuses
- Convenient switching/control and display functions
- Global contact list (incl. personal contact management)
- Camera scan function
- Answering machine functions

System requirements:

- Microsoft® Windows 8, 8.1, 10
- Microsoft® .NET Framework 4.6.2 or later
- Microsoft® VC++ 2015 Redistributable Package (x86)
- Microsoft® Media Feature Pack (Windows N and KN editions only)
- At least Microsoft® DirectX® 9.0c

- CPU: Dual-Core from 2.0 GHz
- At least 2 GB RAM
- Graphics card with at least 1280 x 800 pixel, 128 MB RAM
- Ethernet card/Network connection: 100 Mbit
- Sound card

Siedle apps



Siedle App (As of Access 5.1)

The Siedle app turns a smartphone (iOS, Android) into a mobile extension of a door intercom system from Siedle, via the Siedle server. The app has been specially developed for the requirements of door communication. It receives the door call, shows a live video feed (depending on the system), establishes a speech connection and opens the door. With built-in security and the ultimate in convenience. The video feed is available before the call is accepted. The speech quality fulfils Siedle's stringent standards, and the door is opened by pressing the familiar key symbol.

The Siedle app is the mobile complement to a door intercom system and does not replace an indoor device. For this reason, Siedle recommends always including a wired indoor station in your system planning alongside the app.

The complete functional scope of the Siedle app is described in the Apple App Store and the Google Play Store.

Application licences

All licences can be procured through your Access Certified Partner or the Siedle Access Service Center (ASC) when the system has been commissioned by the ASC.

ALFA 270-0

Access application licence "Access licence for non-Siedle audio device" for the operation of a VoIP audio telephone on the Access Professional system. Using a VoIP-ATA adapter, it is also possible to connect an analog telephone.

ALFV 270-0

Access application licence "Access licence for non-Siedle video" for the operation of a VoIP video telephone on the Access Professional system. Third-party devices are subject to authorization by Siedle.

ALFS 270-0

Access application licence "Access licence for non-Siedle smartphone" for the operation of an iPhone on the Access Professional system. A separate licence is required per device. The iPhone functions as a mobile indoor device with video. An additional app is required for operation. This must be purchased from the Apple App Store.

ALFT 270-0

Access application licence "Access licence for non-Siedle tablet" for the operation of an iPad on the Access Professional system. A separate licence is required per device. The iPad functions as a mobile indoor device with video. An additional app is required for operation. This must be purchased from the Apple App Store.

ALFP 270-0

Access application licence "Access licence for non-Siedle panel device" for the operation of a Jung Smart Control Panel on the Access Professional system. A separate licence is required per device.

ALT 270-0

Access application licence "Access licence for telephony connection" for the use of an external connection channel on the Access Professional system. A separate licence is required per channel. Third-party devices are subject to authorization by Siedle.

ALKNX 270-0 <50

Access application licence "Access licence for KNX connection" for the use of up to 50 KNX data points. KNX telegrams can be sent and received.

ALKNX 270-0 <300

Access application licence "Access licence for KNX connection" for the use of up to 300 KNX data points. KNX telegrams can be sent and received.

ALKNX 270-0 >300

Access application licence "Access licence for KNX connection" for the use of more than 300 KNX data points. KNX telegrams can be sent and received.

Supply units



VNG 602-02

Video line rectifier in a switch panel housing for central supply of video door intercom systems.

Operating voltage: 230 V AC, +/-10 %, 50/60 Hz
Operating current: 250 mA
Output voltage: 30 V DC
Output current: 1.1 A
Fusing: Si 1 T 315 mA, secondary side thermal fuse
Protection system: IP 20
Ambient temperature: 0 °C to +40 °C
Horizontal pitch (HP): 10
Dimensions (mm) W x H x D: 180 x 89 x 60



TR 603-0

Transformer in switch panel housing for supplying system and additional components.

Operating voltage: 230 V AC, +/-10 %, 50/60 Hz
Operating current: 100 mA
Output voltage: 12 V AC
Output current: max. 1.3 A
Fusing: primary thermal fuse, secondary short circuit proof
Protection system: IP 20
Ambient temperature: 0 °C to +40 °C
Horizontal pitch (HP): 3
Dimensions (mm) W x H x D: 53.5 x 89 x 60



TR 602-01

Transformer in switch panel housing, to supply supplementary components.

Operating voltage: 230 V AC, +/-10 %, 50/60 Hz
Operating current: 170 mA
Output voltage: 12 V AC
Output current: max. 2.5 A
Fusing: primary Si1 T 200 mA L, secondary side with thermal fuse
Protection system: IP 20
Ambient temperature: 0 °C to +40 °C
Horizontal pitch (HP): 6
Dimensions (mm) W x H x D: 107 x 89 x 60



LNG 600-0

Power line rectifier in the switch panel housing for the central supply of LED modules and bus video panels.

Operating voltage: 100–240 V AC, +/-10 %, 50/60 Hz
Operating current: 0.3 A to 0.7 A
Output voltage: 30 V DC
Output current: 1.1 A DC
Ambient temperature: 0 °C to +40 °C
Protection system: IP 20
Horizontal pitch (HP): 6
Dimensions (mm) W x H x D: 107 x 89 x 60



AVA 670-0

Access video decoupler in switch panel housing. Permits the decoupling of an analogue video signal from the Access Professional system.

Operating voltage: 10–50 V DC
Operating current: max. 25 mA
Protection system: IP 20
Ambient temperature: 0 °C to +40 °C
Horizontal pitch (HP): 3
Dimensions (mm) W x H x D: 53.5 x 89 x 60



TÖ 615-0

Recessed door release with flat striker plate, grey hammertone finish, for right or left opening doors according to DIN. Suitable for heavy front and internal doors, striker plate pre-drilled, release structured symmetrically. Catch bolt and cylinder adjustment possible after mounting. The release bolt can be adjusted in oval screw holes up to 4 mm on the horizontal.

Operating voltage: 12 V AC
Operating current: max. 400 mA
Coil resistance: approx. 20 Ohm



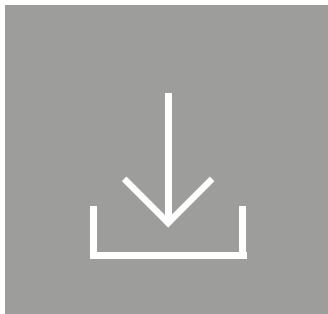
TÖ 618-0 E

Recessed door release with flat striker plate, grey hammertone finish, for right or left opening doors according to DIN. Mechanical release possible using toggle lever.

Suitable for heavy front and internal doors, striker plate pre-drilled, release structured symmetrically. Catch bolt and cylinder adjustment possible after mounting. The release bolt can be adjusted in oval screw holes up to 4 mm on the horizontal.

Operating voltage: 12 V AC
Operating current: max. 400 mA
Coil resistance: approx. 20 Ohm

User licences



APR 670-0

Access user licences can be purchased for 10, 20, 40, 80, 160, 320 or 640 users/end devices and combined for up to 640 users/devices.

System conditions:

CPU: Intel Xeon Quad Core Processor
64 Bit (launch year 2014 or more recent)

RAM: 4 GB

HDD: 256 GB

LAN: 1 x 1000 Mbit/s

Line rectifiers: 2 recommended (redundancy as fail-safe precaution)

Operating system: Microsoft Server
2012 R2 Standard

Maintenance contract

Software maintenance is included for the first year, with an optional extension beyond one year.

Maximum number	Order key
10 Users	...10
20 Users	...20
40 Users	...40
80 Users	...80
160 Users	...160
320 Users	...320

Server hardware and accessories



ASH 670-05 S

Access Server hardware S for the IP-based building communication system Siedle Access Professional for up to 50 users. An Access user licence is required for the regular use of Access Server hardware.

Operating voltage: 90–264 V AC, 47–63 Hz

Typical current consumption: max. 45 W

Ambient temperature: +10 °C to +50 °C

Dimensions (mm) W x H x D:

328 x 88,8 x 201



ASH 670-05 M

Access Server hardware M for the IP-based building communication system Siedle Access Professional for up to 640 users. An Access user licence is required for the regular use of Access Server hardware.

Operating voltage:

90–264 V AC, 47–63 Hz

Typical current consumption: max. 78 W

Ambient temperature: +10 °C to +50 °C

Dimensions (mm) W x H x D:

463 x 88 x 460



ZRE 600-0

19 inch rack mounting accessory for the Access Server S and the TCIP server. Comprising retaining plate including mounted handles and mounting accessories.

Dimensions (mm) W x H x D:

483 x 88 x 132



AGW 670-01

Access gateway for the physical separation of 2 networks at an Access server. To operate Access end devices in different networks, two or more proprietary networks can be connected to an Access system and still be kept strictly separate from each other by using one or more Access gateways in larger network structures.

Components:

CPU: AMD Geode LX800; 500 MHz

Working memory: 256 MB DDR SDRAM

LAN: 3 x 100 Mbit/s

Operating voltage: 12 V DC

Typical current consumption: max. 24 W

Ambient temperature: 0 °C to +50 °C

Dimensions (mm) W x H x D:

200 x 200 x 52

References



Villa Merkana
Hi-tech meets classicism – in a carefully renovated villa steeped in history. As the headquarters of the companies

Merkana Reisen and Merkana IT-Systeme, this historical building sets standards in building automation while retaining all of its historical charm –



thanks in part at least to the adaptable, networked door communication systems from Siedle.



Volksbank Villingen
The extension to the Volksbank Villingen links the existing building to a collection of newly constructed visitor and

consultation zones. The IP-based communication system Siedle Access links the two parts of the building, securing access in the outside area and also within the bank.





Aarhus University Hospital
One of the largest and most modern university hospitals in Denmark is being constructed in Aarhus.

The IP-based building communication system Siedle Access not only caters ideally to the size of the project but also adjusts to individual requirements

and guarantees maximum flexibility.



Karl Köhler GmbH
The new administration and recreational building by Karl Köhler also acts as the company's calling card: The construc-

tion company, which specializes in concrete, was responsible for its own building shell. Köhler's plans made stringent demands on openness and transparency.

This is why the company opted to use the Siedle IP system Access at the entrance.

For more information, please refer to the Siedle website.

Function overview

	Access Professional (Software solution)
Commissioning	
Browser-based admin user interface/configuration app	•
Central management and configuration	•
Group administration	•
Several administrators	•
Different user rights groups	•
Remote configuration via web interface	•
System upgrading	
User expansion (via User licences)	max. 640 (As of version 5.0)
Function upgrades with separate licences (not included in the scope of delivery)	•
Intercom function	
Internal call	•
Group call	•
Parallel call	•
Storey call	•
Video function	
Video memory	•
Automatic / selective image capture	•
Selective display and deletion of images	•
Camera dialling via contact list or in video area	•
Scanning mode ASC	•
Interfaces	
Link to IP telephone systems	•
Integration of a/b converters	•
Display of IP cameras	(ASHT + ASC)
Connection of external analogue cameras	•
KNX port	•
Script programming	•
Access control through the Vario bus	•
Link-up to home automation systems (e.g. Crestron, Control4)	•
Communication	
Audio privacy function	•
Video privacy	•
Door call and door conversation with video	•
Echo compensation	•
Background noise suppression	•
Call list with history	•
Sending/receiving text messages	(ASHT + ASC)
Voicebox	•
Telephony functions	
Connection of a telecommunications system	•
Direct dialling of public network numbers	•
Call in public telephone network	•
Call on hold, call brokering	•
Music on hold	•
Call rerouting/call forwarding	•
Display of user status	•
Automation	
Doormatic function	•
Binary KNX functions	•
Operation of the KNX building system technology visualisation	(AVP)
Servicing	
Configuration backup	•
Remote maintenance and updates	•
Manual line / user monitoring	•
Management of software statuses	•
Logging	•

Key
• Standard equipment

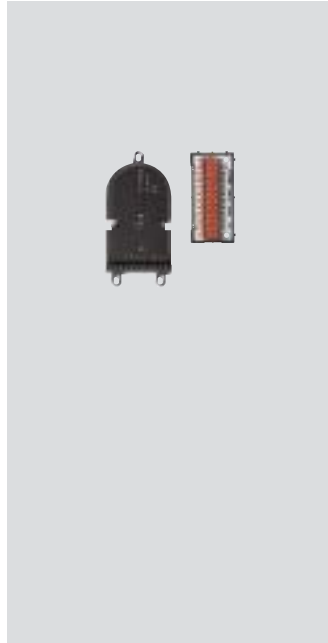
**Intercom systems
1+n technology**

Order overview	76
System house/performance features	77
Door loudspeakers	78
Call button modules	79
In-house telephone	80
Supply/control units	82
DoorCom Analog telephone interface	84
System examples	85

Order overview



Siedle Vario
See page 112



Custom-fit door loudspeaker
See page 22



Siedle Classic
See page 202



Siedle Steel
See page 230

Internal call stations



IQ HTS
HTS 811-0



HTC 811-0



NS 711-01



NSC 602-0

Supply/control units



NG 602-01



TR 602-01



TR 603-0



ETC 602-0



GC 612-0



CTÖ 602-0



SFC 602-0



AR 402-0

Telephony link

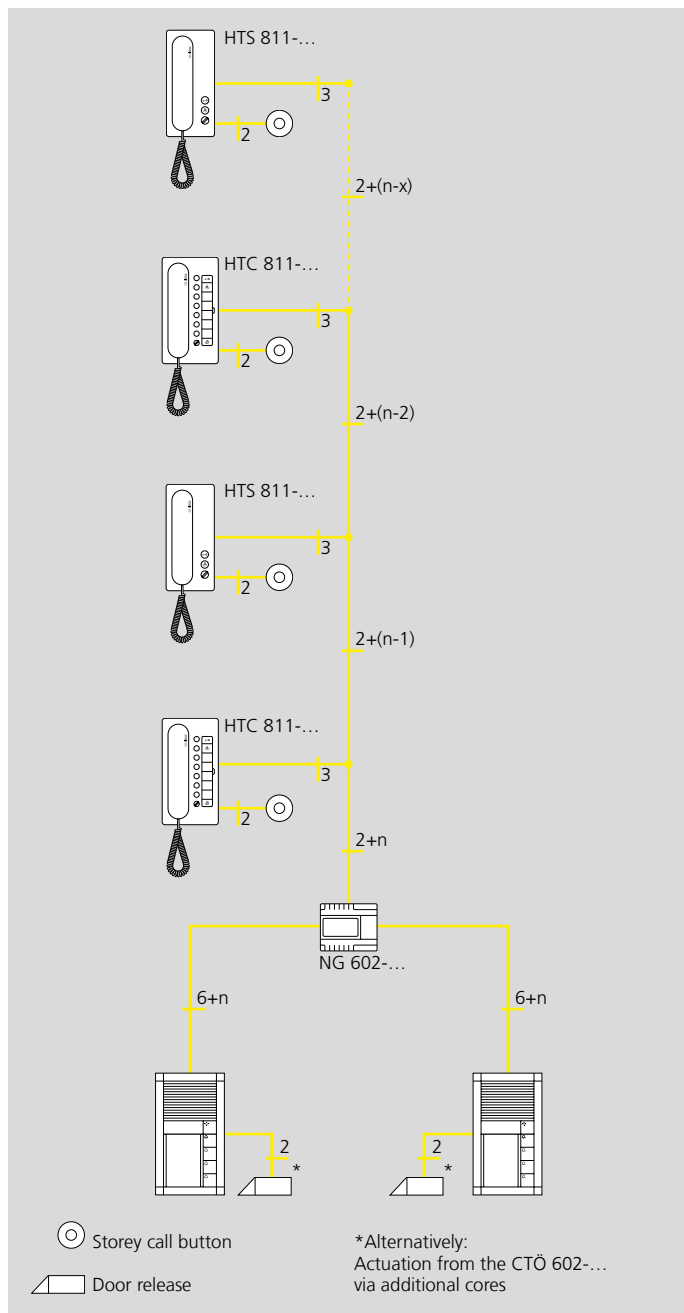
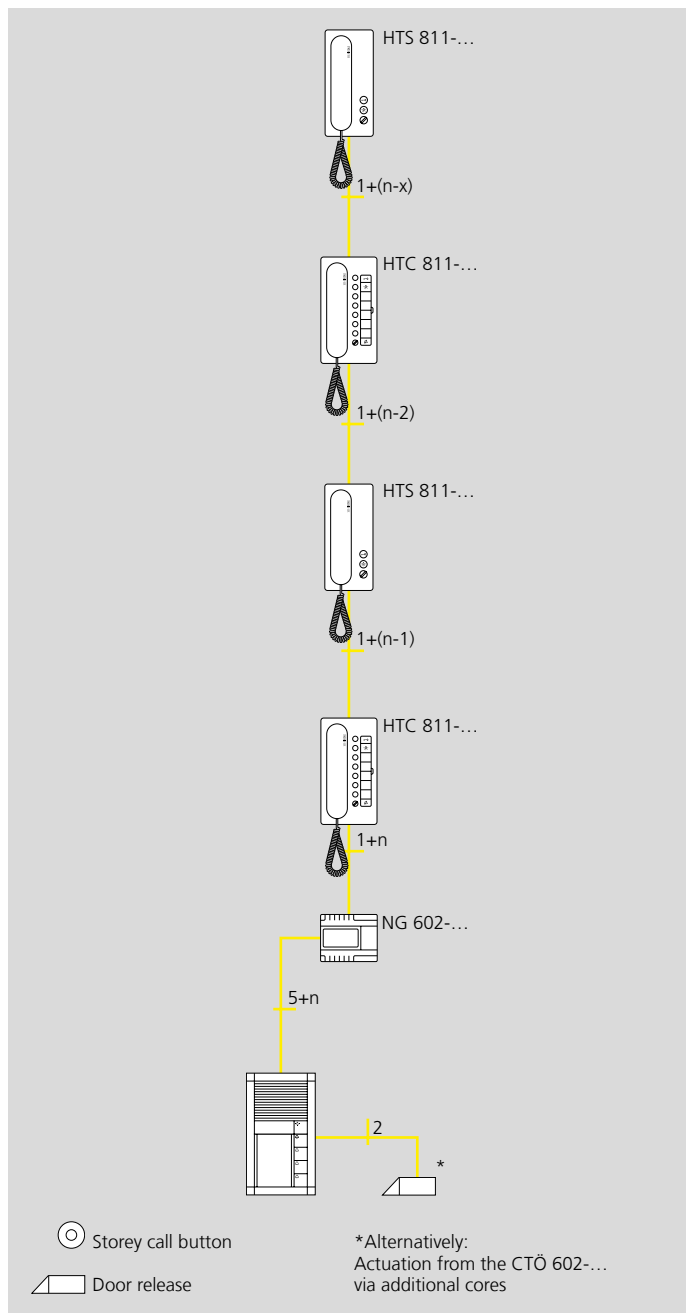


DCA 612-0



DCSF 600-0

System house/performance features



General

- Installation optionally with loop through or spur line
- 1+n installation
- YR warranty
- Central troubleshooting, generally from the door station
- No programming work required
- Device exchange without reprogramming
- Simple retrofitting of existing bell/intercom systems
- Free selection of door station (Siedle Vario, Steel or Classic)

System functions

- Maximum of 500 users
- Public telephone network connection via DoorCom Analog
- Optional speech channels (with supplementary device)
- Multiple door systems (up to 8 doors) without additional devices
- Internal communication with up to 6 HTC 811 telephones via GC 612
- Storey door loudspeaker with call differentiation
- Switching/control functions without additional installation in the side circuit (with HTC 811)
- Parallel switching of up to 2 HTS/HTC 811 in-house telephones

Equipment of internal units:

- Call volume and call silencing by means of rotary controller
- Storey call with call differentiation
- Optionally as a surface or table-mounted variant
- 8 integrated function keys for door release, internal calls or switching/control commands (HTC 811)
- 2 display LEDs via separate installation (HTC 811)

Door loudspeakers



TLM 612-02

Door loudspeaker module 1+n technology for Siedle Vario with integrated loudspeaker and microphone.

Performance features:

- Front grille made of weather and UV-resistant polycarbonate
- Loudspeaker, voice volume can be adjusted
- Durable electret microphone
- Potential-free light button with LED-lit light symbol
- Work contacts for light and door release, can be controlled without additional wiring via existing side circuit
- An SFC 602-... switching/remote controller and/or CTÖ 602-... controller door release can be connected
- A COM 611-... code lock module and/or DRM 612-... display call module for digital call input can be connected
- Acoustic feedback when pressing a call button can be activated

Contact type: 2 n.o. contacts 24 V, 2 A
Switching time: 3 sec

Ambient temperature: -20 °C to +55 °C

Protection system: IP 54

Height of structure (mm): 9

Dimensions (mm) W x H x D:

99 x 99 x 35



TLE 061-01

Custom-fit door loudspeaker 1+n technology for installation in on-site intercom compartments, door constructions, letterboxes, etc.

Performance features:

- Loudspeaker, voice volume can be adjusted
- Durable electret microphone
- Potential-free work contacts for light and door release, can be controlled without additional wiring via existing side circuit
- An SFC 602-... switching/remote controller and/or CTÖ 602-... controller door release can be connected
- Universal fastening options, when used with the ZJ 051-... grille, it can be screwed onto this directly

Protection system: Dependent on the mounting conditions

Dimensions (mm) W x H x D:

124 x 60 x 31

Dimensions housing (mm) W x H x D:

100 x 60 x 31



ZD 061-10

Accessory diodes for connecting 10 of the customer's call buttons to the TLE 061-... custom-fit door loudspeaker. An accessory diode ZD 061-10 is required for each started group of 10 call buttons.

The ZD 061-10 can be mounted in a row on all sides using guides for simpler installation. It can be inserted in the intercom/bell compartment, glued on a flat surface or fastened with 2 screws.

Dimensions (mm) W x H x D:

35 x 70 x 20



ZTL 051-0

Universal mounting adapter for the TLE 061-..., BTLE 050-... and TLE 051-..., to fit the mounts for the previous TL 001 and TL 011 custom-fit door loudspeakers and for the M5 speaker and microphone system. With accessory lamp.

Dimensions (mm) W x H x D:

20.5 x 10.8 x 0.5

Call button modules

**TM 612-1**

Call button module with nameplate pocket and 1 separate call button with bell symbol.

Nameplate size (mm) W x H: 65 x 94

Call button (mm) W x H: 24 x 49

Protection system: IP 54

Ambient temperature: -20 °C to +55 °C

Dimensions (mm) W x H x D:

99 x 99 x 27

**TM 612-2**

Call button module with nameplate pocket, 2 nameplates, 2 separate call buttons with bell symbol.

Nameplate size (mm) W x H: 65 x 44.5

Call button (mm) W x H: 24 x 49

Protection system: IP 54

Ambient temperature: -20 °C to +55 °C

Dimensions (mm) W x H x D:

99 x 99 x 27

**TM 612-3**

Call button module with nameplate pocket, 3 nameplates and 3 separate call buttons with bell symbol.

Nameplate size (mm) W x H: 65 x 28

Call button (mm) W x H: 24 x 32

Protection system: IP 54

Ambient temperature: -20 °C to +55 °C

Dimensions (mm) W x H x D:

99 x 99 x 27

**TM 612-4**

Call button module with nameplate pocket, 4 nameplates and 4 separate call buttons with bell symbol.

Nameplate size (mm) W x H: 65 x 19.5

Call button (mm) W x H: 24 x 24

Protection system: IP 54

Ambient temperature: -20 °C to +55 °C

Dimensions (mm) W x H x D:

99 x 99 x 27

In-house telephone



HTS 811-0

Standard in-house telephone for 1+n technology in high-grade plastic. With the basic functions calling, speech, door release, light and storey call.

Performance features:

- Door release and light button integrated
 - Hearing protection, audio privacy function integrated
 - Parallel switching of max. 2 telephones without internal communication
 - Electronic call generator with 3-tone call signal for door call, 2-tone call signal for storey call
 - Call silencing by means of volume controller (turned completely to the left, lock-in position)
 - Call volume accessible from outside
 - Door release/light function at any time
 - Plug-in spiral cable for simple installation
 - Call tones when connecting: to side circuit installation
 - Door call: 3-tone call signal, storey call: 2-tone call signal
 - To ETC 602-... Front/storey door loudspeaker: 3-tone call signal, storey call: 2-tone call signal
 - Call volume up to max. 83 dB(A)
 - Can be used as a table-top unit using table-top accessory ZTS 800-...
- Ambient temperature: +5 °C to +40 °C
Dimensions (mm) W x H x D:
91 x 201 x 46



IQ HTS

In-house telephone for 1+n technology with WLAN interface for mobile extension through the Siedle app.

With the call, speech, door release and light functions on the indoor station and on a smartphone with the Siedle app. The storey call is also available on the in-house telephone.

Performance features:

- WLAN interface for the Siedle app
 - The Siedle app behaves like an indoor device connected in parallel
 - Additional indoor stations cannot be connected in parallel
 - Potential-free door release and light button
 - Integrated audio privacy function
 - Call volume up to max. 83 dB(A)
- Operating voltage: 12–30 V DC
Operating current: max. 420 mA
Ambient temperature: +5 °C to +40 °C
Dimensions (mm) W x H x D:
91 x 201 x 48

Remarks:

- Additional indoor station power supply required.
- The indoor station with WLAN interface is available in white without panel.



Siedle App

The Siedle app turns a smartphone (iOS, Android) into a mobile extension of a door intercom system from Siedle, via the Siedle server. The app has been specially developed for the requirements of door communication. It receives the door call, shows a live video feed (depending on the system), establishes a speech connection and opens the door. With built-in security and the ultimate in convenience. The video feed is available before the call is accepted. The speech quality fulfils Siedle's stringent standards, and the door is opened by pressing the familiar key symbol.

The Siedle app is the mobile complement to a door intercom system and does not replace an indoor device. For this reason, Siedle recommends always including a wired indoor station in your system planning alongside the app.

The complete functional scope of the Siedle app is described in the Apple App Store and the Google Play Store.



HTC 811-0

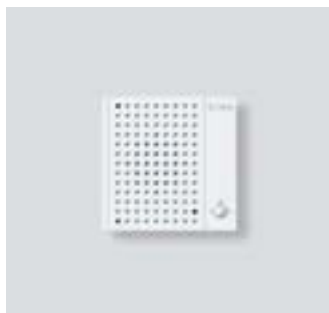
Comfort in-house telephone for 1+n technology in high-grade plastic.

With the functions calling, speech, door release, light, storey call/switching and control functions and internal communication.

Performance features:

- Door release and light button integrated
 - Hearing protection, audio privacy function integrated
 - Parallel switching of max. 2 telephones without internal communication
 - Electronic call generator with 3-tone call signal for door call, 2-tone call signal for storey call
 - Call silencing by means of volume controller (turned completely to the left, lock-in position)
 - Door release/light function at any time
 - Plug-in spiral cable for simple installation
 - Internal communication with max. 6 telephones via GC 612-...
 - Call volume accessible from outside
 - 2 LEDs for display (e.g. door open) separately wired
 - 6 integrated function keys, can be used without additional installation as:
 - Call buttons
 - To actuate control and switching functions in conjunction with SFC 602-...
 - Integrated inscription panel for function keys
 - 2 keys for use as potential-free buttons
 - Call differentiation for internal calls
 - Call tones when connecting: to side circuit installation
- Door call: 3-tone call signal (without G connection) or chime (with G connection), storey call: 2-tone call signal
- to GC 612-..., Door call: Chime internal call: 3-tone call signal, storey call: 2-tone call signal
 - to ETC 602-... main/side circuit door loudspeaker: 3-tone call signal, storey door loudspeaker: 3-tone chime, storey call: 2-tone call. signal
 - Call volume up to max. 83 dB(A)
 - Can be used as a table-top unit using table-top accessory ZTC 800-...
- Ambient temperature: +5 °C to +40 °C
Dimensions (mm) W x H x D:
106 x 201 x 46

Accessories

**NS 711-01**

Secondary signal unit in a low-profile surface-mounting design with loud-speaker, externally adjustable volume control and electronic call generator. Can be connected to HTS/HTC 811-... Call tones: Door call, 3-tone call signal (without G connection) or chime (with terminal G), storey call, 2-tone call signal. Call volume up to max. 86 dB(A) Protection system: IP 20 Dimensions (mm) W x H x D: 107 x 107 x 25

**NSC 602-0**

Secondary signal controller for door calls, suitable for mounting in a 55 junction box, for connection of a secondary signal unit with its own power supply to the HTS/HTC 811-..., with screw-type terminals. Secondary signal controller for actuation of existing on-site bell systems. Contact type: changeover contact max. 24 V, 2 A Protection system: IP 20 Dimensions (mm) dia. x H: 51 x 23

**ZTS 800-01**

Table-top accessory for telephones BTS/ BFC 850-... and HTS 811-... for conversion from a wall to a table-top unit. Slip-proof console with 2 rubber feet but without UAE 8(8) junction box. Connecting cable: 8-core 3 m long

The table-top accessory is also available in black.

**ZTC 800-0**

Table-top accessory for the telephone BTC 850-... and HTC 811-... for conversion from a wall to a table-top unit. Slip-proof console with 2 rubber feet but without UAE 8(8) junction box. Connecting cable: 2 x 8-core 3 m long

The table-top accessory is also available in black.

Design variants without panel	Order key white housing	Order key black housing
White	...W	-
Black	-	...S

Design variants with panel	Order key white housing	Order key black housing
Stainless steel	...E/W	...E/S
Aluminium	...A/W	...A/S
High gloss white	...WH/W	...WH/S
High gloss black	...SH/W	...SH/S
PVD black	...ES/W	...ES/S
PVD copper	...EK/W	...EK/S
PVD brass	...EM/W	...EM/S
PVD titanium	...ET/W	...ET/S

* Example HTS 811-0 W
Further execution on demand

Supply/control units



NG 602-01

Line rectifier in switch panel housing for 1+n technology, and for power supply to supplementary components. Inclusive function LEDs.

Operating voltage:

230 V AC, +/-10 %, 50/60 Hz

Operating current: 200 mA

Output voltage: 23.3 V DC, 12 V AC

Output current: 0.3 A DC, 1.6 A AC

Fusing: primary Si1 T 200 mA L

Protection system: IP 20

Ambient temperature: 0 °C to +40 °C

Horizontal pitch (HP): 6

Dimensions (mm) W x H x D:

107 x 89 x 60



TR 602-01

Transformer in switch panel housing, to supply supplementary components.

Operating voltage:

230 V AC, +/-10 %, 50/60 Hz

Operating current: 170 mA

Output voltage: 12 V AC

Output current: max. 2.5 A

Fusing: primary Si1 T 200 mA L, secondary side with thermal fuse

Protection system: IP 20

Ambient temperature: 0 °C to +40 °C

Horizontal pitch (HP): 6

Dimensions (mm) W x H x D:

107 x 89 x 60



TR 603-0

Transformer in switch panel housing for supplying system and additional components.

Operating voltage:

230 V AC, +/-10 %, 50/60 Hz

Operating current: 100 mA

Output voltage: 12 V AC

Output current: max. 1.3 A

Fusing: primary thermal fuse, secondary short circuit proof

Protection system: IP 20

Ambient temperature: 0 °C to +40 °C

Horizontal pitch (HP): 3

Dimensions (mm) W x H x D:

53.5 x 89 x 60



TÖ 615-0

Recessed door release with flat striker plate, grey hammertone finish, for right or left opening doors according to DIN.

Suitable for heavy front and internal doors, striker plate pre-drilled, release structured symmetrically. Catch bolt and cylinder adjustment possible after mounting. The release bolt can be adjusted in oval screw holes up to 4 mm on the horizontal.

Operating voltage: 12 V AC

Operating current: max. 400 mA

Coil resistance: approx. 20 Ohm



TÖ 618-0 E

Recessed door release with flat striker plate, grey hammertone finish, for right or left opening doors according to DIN. Mechanical release possible using toggle lever.

Suitable for heavy front and internal doors, striker plate pre-drilled, release structured symmetrically. Catch bolt and cylinder adjustment possible after mounting. The release bolt can be adjusted in oval screw holes up to 4 mm on the horizontal.

Operating voltage: 12 V AC

Operating current: max. 400 mA

Coil resistance: approx. 20 Ohm

**GC 612-0**

Group controller in switch panel housing for internal speech operation, for connection of max. 6 in-house telephones HTC 811-... and speech connection to the door loudspeaker. Door calls can be selectively assigned.

Operating voltage: 24 V DC

Operating current: max. 300 mA

Contact type: contact 24 V, 2 A

Ambient temperature: 0 °C to +40 °C

Protection system: IP 20

Horizontal pitch (HP): 6

Dimensions (mm) W x H x D:

107 x 89 x 60

**ETC 602-0**

Storey controller in switch panel housing for connection of an additional storey door loudspeaker to the relevant system telephones HTS/HTC 811-...

Several storey controllers can be used in one system. Several calls are possible simultaneously, e.g. from the main entrance door loudspeaker to an in-house telephone and simultaneously from the storey door loudspeaker to a connected in-house telephone. Potential-free changeover contact WT/W0/WVE e.g. for switchover from the door to the storey camera.

Operating voltage: 24 V DC

Operating current: max. 60 mA

Contact type: changeover switch max. 24 V, 2 A

Ambient temperature: 0 °C to +40 °C

Protection system: IP 20

Horizontal pitch (HP): 6

Dimensions (mm) W x H x D:

107 x 89 x 60

**CTÖ 602-0**

Controller door release in switch panel housing for actuation of a door release in conjunction with the wire-saving 1+ system. For security reasons this should not be connected directly to the door loudspeaker.

Operating voltage: 12 V AC

Operating current: max. 70 mA

Contact type: contact 24 V, 2 A

Switching time: Fixed at 3 sec

Protection system: IP 20

Ambient temperature: 0 °C to +40 °C

Horizontal pitch (HP): 3

Dimensions (mm) W x H x D:

53.5 x 89 x 60

**SFC 602-0**

Switching/remote controller in switch panel housing for execution of max. 4 central switching/control functions (connection to DL) or 4 local switching/control functions (connection GC 612-... or door loudspeaker of the ETC 602-...).

1 relay with changeover contact and 3 relays with 1 working contact each.

Actuation takes place from buttons 1-5, light and door release of the

HTC 811-... From the HTS 811-..., only

the light and door release buttons can be used. Function of buttons 1-5 can

be set via DIL switches as switches or buttons. For use as timer, e.g. to trigger

a heavy current relay for staircase lighting. Connection facility to ETC 602-...,

GC 612-..., TLE 061-... and TLM 612-...

Operating voltage: 12 V AC

Operating current: max. 250 mA

Contact type: 1 changeover switch 24 V, 2 A; 3 n.o. contacts 24 V, 2 A

Switching time: 2 x adjustable from 3 sec to 20 min and 2 x fixed at 3 sec

Horizontal pitch (HP): 3

Dimensions (mm) W x H x D:

53.5 x 89 x 60

**AR 402-0**

Interfacing relay in switch panel housing for special circuits with 4 changeover contacts.

Control voltage / current:

6-12 V, 100 mA

Contact type: 4 changeover switch

24 V, 1 A

Protection system: IP 20

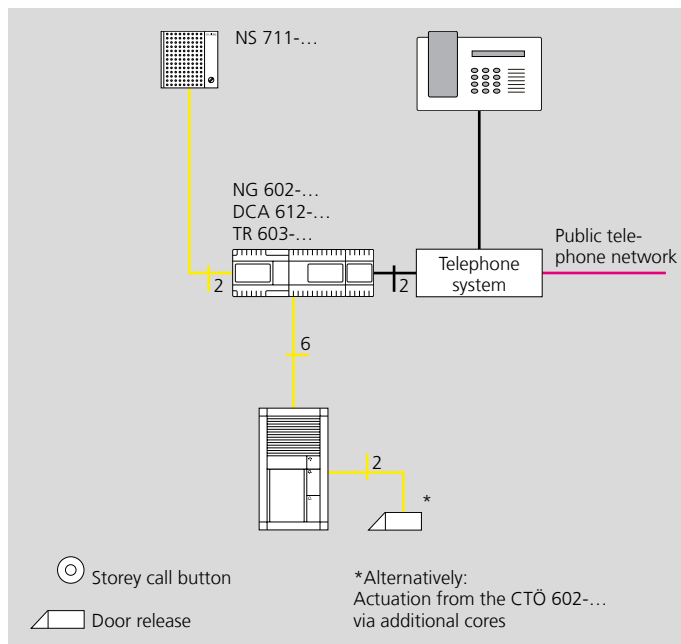
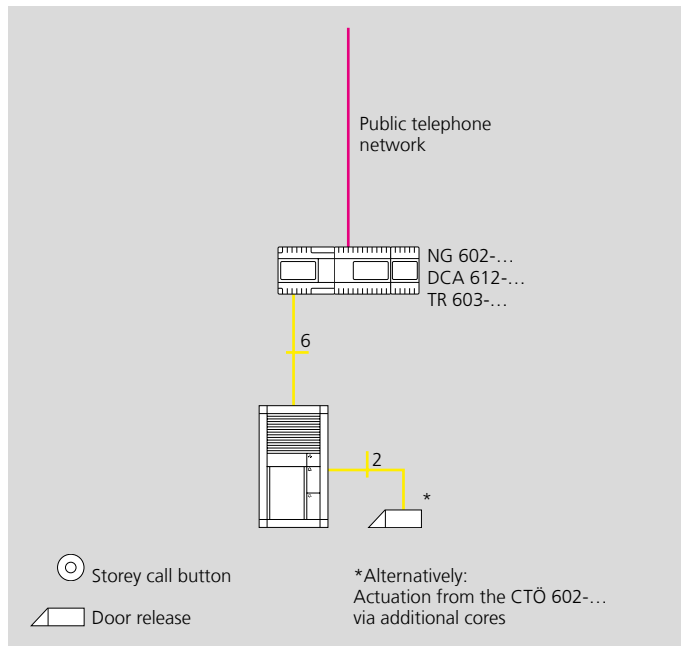
Ambient temperature: 0 °C to +40 °C

Horizontal pitch (HP): 3

Dimensions (mm) W x H x D:

53.5 x 89 x 60

DoorCom Analog telephone interface



With the DoorCom Analog, the call numbers/telephones assigned to the call buttons can be dialled from the door loudspeaker. The connection must take place at an analogue telephone terminal.

One-family home with one or more door stations which are connected via the DoorCom Analog to an existing a/b telephone with a "mini telephone system".



DCA 612-0

DoorCom-Analog, in switch panel housing as an interface for the 1+n technology, connects the door intercom system to telephone systems via the system's analogue connection.

- 3 door call inputs
- Max. 6 control functions can be executed via SFC 602-... using DTMF dialling corresponding to HTC 811-...
- Selective dialling of max. 3 door loudspeakers when using interface DCSF 600-... and additional wiring
- Two-line alphanumeric display with 16 characters per line
- 6 buttons: convenient configuration
- Same functions as a system telephone
- The following call possibilities can be assigned (each max. 22 digits long)
 - Direct calls
 - Selective user call
 - Group calls (dep. on the telephone system)
 - Collective calls (dep. on the telephone system)
 - Calls to PBX extensions, to public network or mobile phones
 - Chain calls
 - In case of no answer or engaged
 - System functions door release and light using the DTMF dialling method
 - Doormatic function for 1 call input, with/without previous door call signal
 - Call rerouting to e.g. concierge
 - Day/night service to alternative call destinations (depending on customer's existing telephone system)
 - Switching from door intercom to telephone mode
 - Several DCA units possible in one intercom system/one telephone system
 - Adjustable call and connection time
 - Signalling of door calls prior to call acceptance
 - Call differentiation possible for doors or call inputs (max. 2)
 - PIN protection can be activated e.g. for programming, door release, switching functions and function activation
 - Time-controlled activation/deactivation of e.g. Doormatic, call rerouting, day and night service etc. possible via DCSF 600-... accessory and customer's time switches
 - Jack for HT 811-... servicing handset
- Operating voltage: 12 V AC
- Operating current: max. 100 mA
- Ambient temperature: 0 °C to +40 °C
- Horizontal pitch (HP): 6
- Dimensions (mm) W x H x D: 107 x 89 x 60



DCSF 600-0

DoorCom switching and remote control interface, for use in DCA 612-... and DCA 650-...

- 3 potential-free freely programmable outputs e.g. for
 - Decentral door release, light
 - Secondary signal unit/timer-dependent video control (In-Home bus)
 - Buttons or switches
 - Selective door dialling using the 1+n system
 - Monitor interfacing (direct assignment to the call inputs)
- 3 freely programmable inputs e.g. for:
 - Code inputs to:
 - Trip switching functions, door release/light via BSM/BSE/SFC in the Siedle system
 - Video/light interfacing via BMM etc.
 - Activation/deactivation of functions e.g. via the customer's own time switch, such as
 - Chain call, doormatic, concierge, day/night service etc.
 - Dialling of call numbers to signal events with signal tones:
 - Selective user call
 - Calls to PBX extensions, public network or mobile phones
 - Facility for combining code and call number functions
- Operating voltage: 12 V AC
- Operating current: max. 100 mA
- Control voltage / current: 4–30 V DC, max. 5 mA, 4–20 V AC, max. 5 mA
- Contact type: 3 contact 12 V AC, 24 V DC, 2 A

Please note:

The facility to utilize individual performance features may differ depending on the telephone system used. Please enquire with the manufacturer of your telephone system.

- Direct door call acceptance can be programmed.
- In this case, a chain call function is no longer possible.
- When dialling users, use the DTMF dialling method.
 - The dialled users must have DTMF dialling capability.

System examples**Siedle 1+n technology audio with Vario flush-mounted system**

	1 residential unit	2 residential units	3 residential units	4 residential units	8 residential units	12 residential units
Door loudspeaker module	1 TLM 612-02	1 TLM 612-02	1 TLM 612-02	1 TLM 612-02	1 TLM 612-02	1 TLM 612-02
Call button module	1 TM 612-1	1 TM 612-2	1 TM 612-3	1 TM 612-4	2 TM 612-4	3 TM 612-4
Flush-mount housing	1 GU 611-2/1-0	1 GU 611-2/1-0	1 GU 611-2/1-0	1 GU 611-2/1-0	1 GU 611-3/1-0	1 GU 611-4/1-0
Mounting frame	1 MR 611-2/1-0	1 MR 611-2/1-0	1 MR 611-2/1-0	1 MR 611-2/1-0	1 MR 611-3/1-0	1 MR 611-4/1-0
Combination frame	1 KR 611-2/1-0	1 KR 611-2/1-0	1 KR 611-2/1-0	1 KR 611-2/1-0	1 KR 611-3/1-0	1 KR 611-4/1-0
Distribution	1 NG 602-01	1 NG 602-01	1 NG 602-01	1 NG 602-01	1 NG 602-01	1 NG 602-01
Standard in-house telephone	1 HTS 811-0 W	2 HTS 811-0 W	3 HTS 811-0 W	4 HTS 811-0 W	8 HTS 811-0 W	12 HTS 811-0 W
Comfort in-house telephone	1 HTC 811-0 W	2 HTC 811-0 W	3 HTC 811-0 W	4 HTC 811-0 W	8 HTC 811-0 W	12 HTC 811-0 W

Siedle 1+n technology audio with Vario surface-mounted system

	1 residential unit	2 residential units	3 residential units	4 residential units	8 residential units	12 residential units
Door loudspeaker module	1 TLM 612-02	1 TLM 612-02	1 TLM 612-02	1 TLM 612-02	1 TLM 612-02	1 TLM 612-02
Call button module	1 TM 612-1	1 TM 612-2	1 TM 612-3	1 TM 612-4	2 TM 612-4	3 TM 612-4
Surface-mount housing	1 GA 612-2/1-0	1 GA 612-2/1-0	1 GA 612-2/1-0	1 GA 612-2/1-0	1 GA 612-3/1-0	1 GA 612-4/1-0
Mounting frame	1 MR 611-2/1-0	1 MR 611-2/1-0	1 MR 611-2/1-0	1 MR 611-2/1-0	1 MR 611-3/1-0	1 MR 611-4/1-0
Distribution	1 NG 602-01	1 NG 602-01	1 NG 602-01	1 NG 602-01	1 NG 602-01	1 NG 602-01
Standard in-house telephone	1 HTS 811-0 W	2 HTS 811-0 W	3 HTS 811-0 W	4 HTS 811-0 W	8 HTS 811-0 W	12 HTS 811-0 W
Comfort in-house telephone	1 HTC 811-0 W	2 HTC 811-0 W	3 HTC 811-0 W	4 HTC 811-0 W	8 HTC 811-0 W	12 HTC 811-0 W

Siedle 1+n technology audio with custom-fit door loudspeaker

	1 residential unit	2 residential units	3 residential units	4 residential units	8 residential units	12 residential units
Custom-fit door loudspeaker	1 TLE 061-01	1 TLE 061-01	1 TLE 061-01	1 TLE 061-01	1 TLE 061-01	1 TLE 061-01
Diode accessory	1 ZD 061-10	1 ZD 061-10	1 ZD 061-10	1 ZD 061-10	1 ZD 061-10	2 ZD 061-10
Current supply	1 NG 602-01	1 NG 602-01	1 NG 602-01	1 NG 602-01	1 NG 602-01	1 NG 602-01
Standard in-house telephone	1 HTS 811-0 W	2 HTS 811-0 W	3 HTS 811-0 W	4 HTS 811-0 W	8 HTS 811-0 W	12 HTS 811-0 W
Comfort in-house telephone	1 HTC 811-0 W	2 HTC 811-0 W	3 HTC 811-0 W	4 HTC 811-0 W	8 HTC 811-0 W	12 HTC 811-0 W

Siedle 1+n technology audio with Siedle Classic

	1 residential unit	2 residential units	3 residential units	4 residential units
Door station	F CL A 01 N-0	F CL A 02 N-0	F CL A 03 N-0	F CL A 04 N-0
Flush-mount housing	GU CL 01-0	GU CL 02-0	GU CL 03-0	GU CL 04-0
Current supply	1 NG 602-01	1 NG 602-01	1 NG 602-01	1 NG 602-01
Standard in-house telephone	1 HTS 811-0 W	2 HTS 811-0 W	3 HTS 811-0 W	4 HTS 811-0 W
Comfort in-house telephone	1 HTC 811-0 W	2 HTC 811-0 W	3 HTC 811-0 W	4 HTC 811-0 W

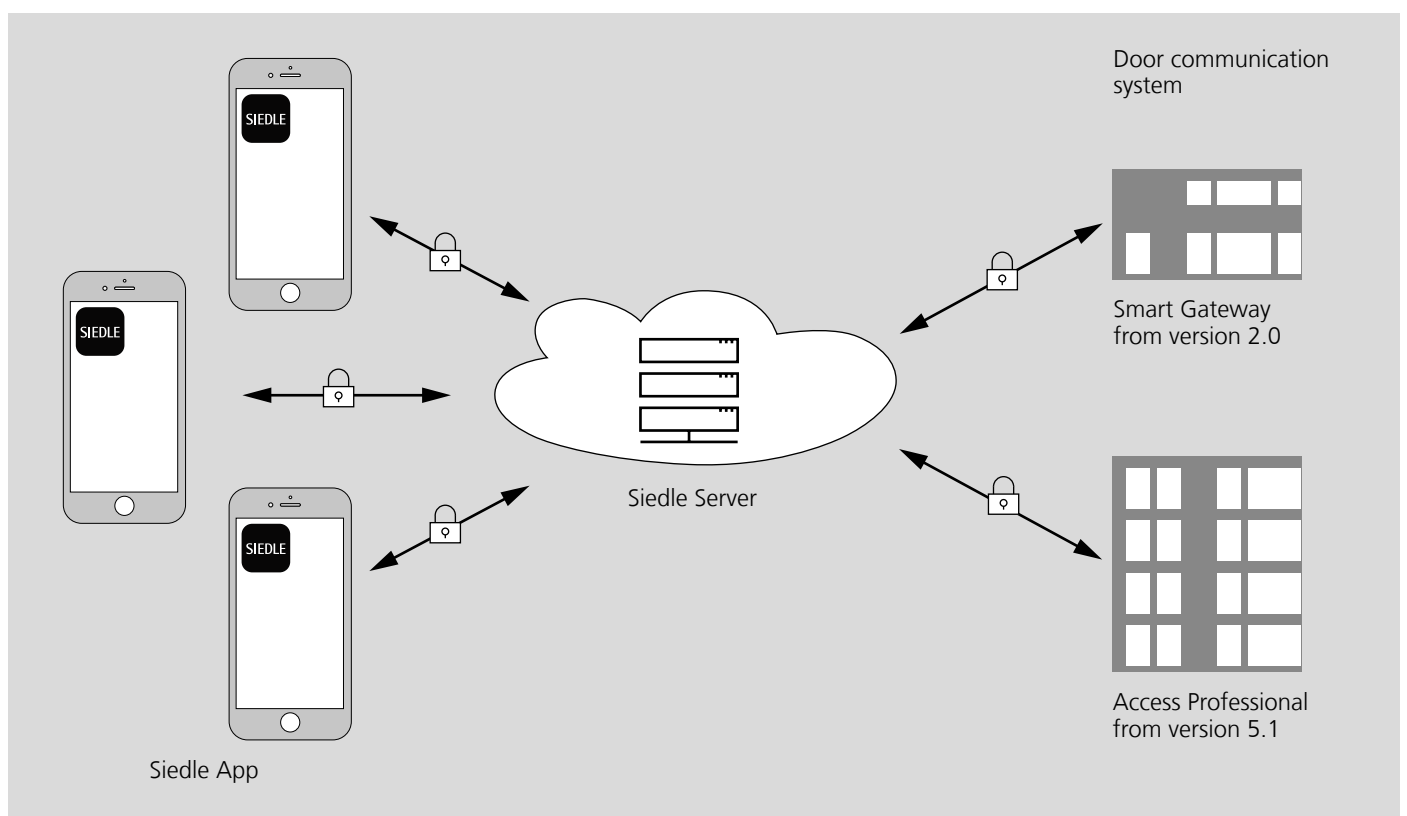
IP technology

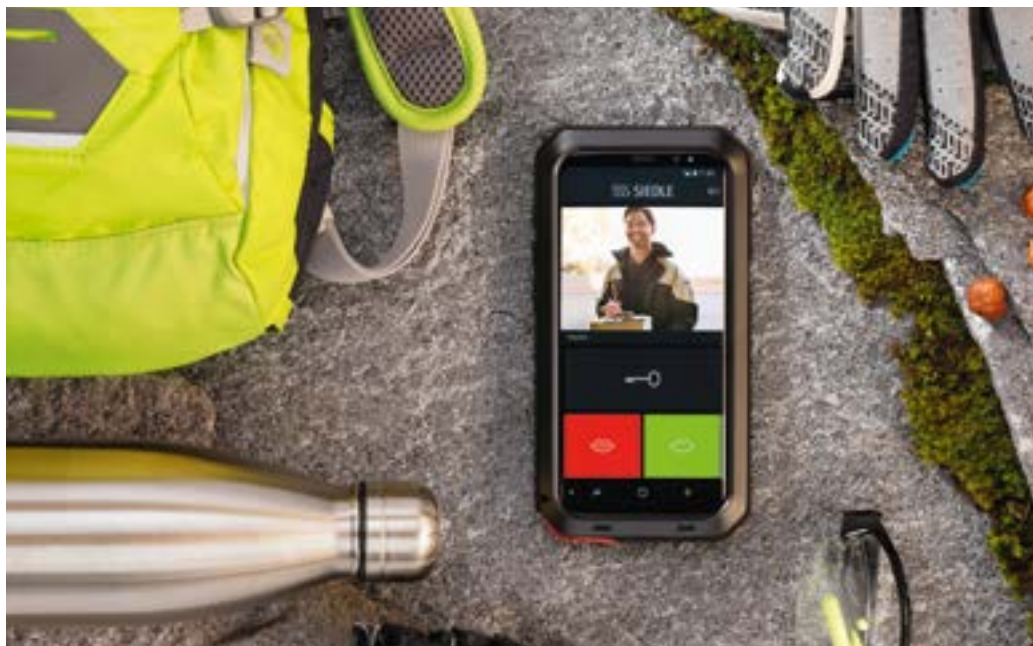
Siedle app and Siedle server	88
Siedle App	90
Siedle Axiom	92
Virtual in-house telephone	94

Siedle app and Siedle server

The Siedle server and Siedle app form the basis for the mobile door communication of the future, regardless of the door communication system used in the building.

The Siedle server is operated in German data centres. Communication between the system installed in the building and the Siedle server and from there to the Siedle app is encrypted. Personal data is never stored on the Siedle server. Both the Siedle server and communication between the Siedle app and door communication system in the building via the Siedle server is certified according to ISO 27001.



**One app for all systems**

The new Siedle app for iOS (as of iOS 11.4) and Android (as of Android 7) is based on the connection to the Siedle server located in Germany (according to ISO 27001). So now it is quick and easy to fulfil requests for mobile door communication.

And best of all, the Siedle app can be commissioned in just a few steps without any special knowledge and regardless of the door communication system in the building.

Siedle App



The Siedle app is being continuously further developed. Current information on the functional scope and illustrations of the relevant valid version statuses are available in the App Store/Play Store. Equipped with consistent basic functionality, the interfaces of the apps for iOS and Android differ in certain details. The user interfaces of the apps can be viewed in the App Store/Play Store.

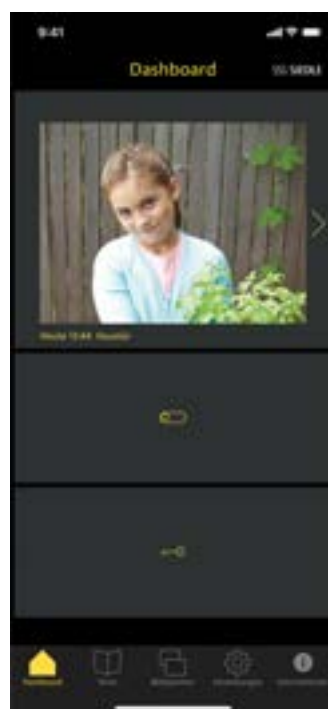


Siedle App

The Siedle app turns a smartphone (iOS, Android) into a mobile extension of a door intercom system from Siedle, via the Siedle server. The app has been specially developed for the requirements of door communication. It receives the door call, shows a live video feed (depending on the system), establishes a speech connection and opens the door. With built-in security and the ultimate in convenience. The video feed is available before the call is accepted. The speech quality fulfils Siedle's stringent standards, and the door is opened by pressing the familiar key symbol.

The Siedle app is the mobile complement to a door intercom system and does not replace an indoor device. For this reason, Siedle recommends always including a wired indoor station in your system planning alongside the app.

The complete functional scope of the Siedle app is described in the Apple App Store and the Google Play Store.





Siedle Axiom



A 180-10
Siedle Axiom for wall mounting without receiver



A 180-11
Siedle Axiom for wall mounting with receiver

Whether mounted on the wall, as a table-top device or on a piece of furniture, there's a perfect place for Siedle Axiom whichever variant you choose. In the colours black-grey, signal white or pearl ruby red, it can create a discreet, modern or striking look in the living environment.

All functions can be operated using the 7 inch display. Easy-to-understand symbols and icons provide information about the current status and the operating options that can be selected.

Two additional buttons provide direct access to the most important door functions, thereby allowing users to operate the system quickly and intuitively.

Models with a cordless receiver turn the Siedle Axiom into a mobile indoor station. The receiver can be used to answer the door call and open the door.

On the panel, the handsfree function can be used for communication.



A 180-20
Siedle Axiom as table-top device without receiver



A 180-21
Siedle Axiom as table-top device with receiver



A 180-30
Siedle Axiom for furniture mounting without receiver

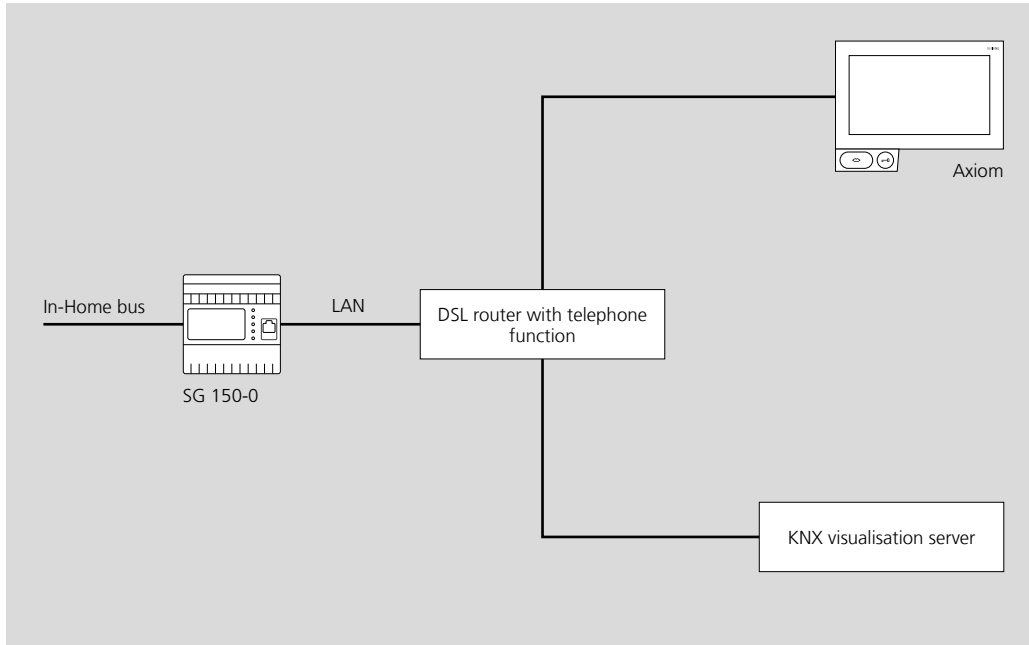


A 180-31
Siedle Axiom for furniture mounting with receiver

A 180-...
IP video panel with touchscreen 17.8 cm (7") and operating buttons for quick access to door communication functions.
Operating voltage: PoE in accordance with 802.3af (PoE class 3)
Ambient temperature: +5 °C to +40 °C
Dimensions (mm) W x H x D:
A 180-10: 185 x 144 x 18
A 180-11: 236 x 165 x 47
A 180-20: 386 x 122 x 117
A 180-21: 422 x 124 x 150
A 180-30: 185 x 121 x 112
A 180-31: 236 x 123 x 146

Design variants	Order key
Signal white	...W
Black-grey	...S
Pearl ruby red	...R

For more information, please refer to the Siedle website.



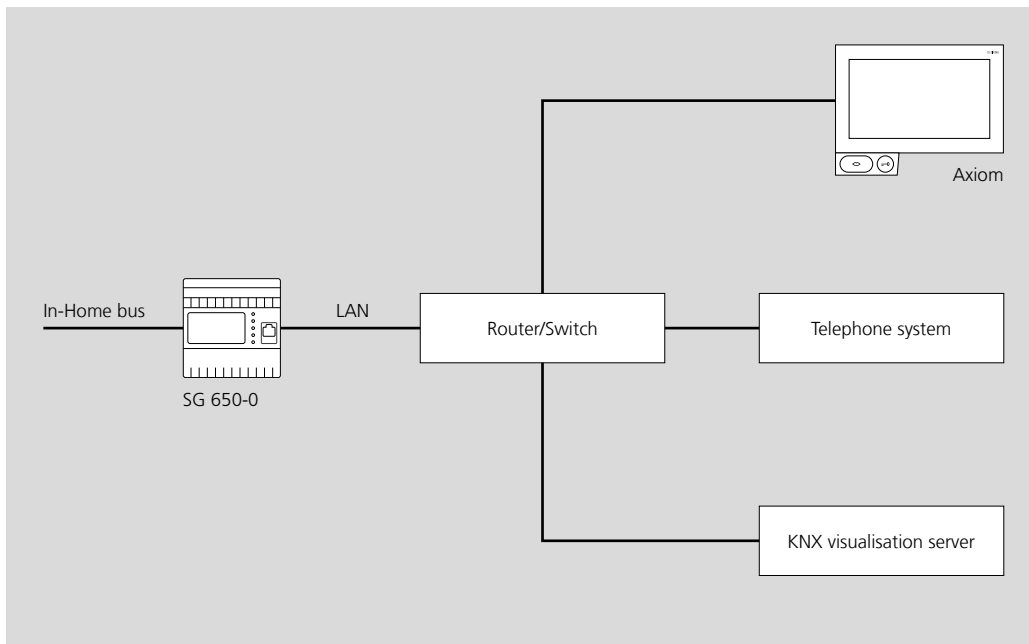
Effective networking

The Smart Gateway establishes the connection with the door communication (In-Home bus). Siedle Axiom can also be integrated in further functions via the IP network. This means it is possible to connect to a telephone system or a KNX visualisation server from Jung. In this way, Siedle Axiom becomes a public network telephone or an operating point for the KNX building system technology.

Siedle Axiom can be modified and expanded by means of software updates. As a client on the Smart Gateway, the device will benefit from future developments.

System mapping

As an extension on the In-Home bus via Smart Gateway SG 150-0.



System mapping

As an extension on the In-Home bus via Smart Gateway Professional SG 650-0.

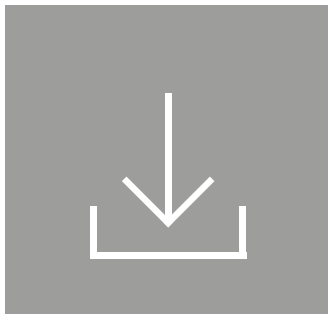
Virtual in-house telephone



The virtual call station becomes active when a door call is received; it depicts the camera image and establishes a speech connection.

In addition, it allows internal audio communication between all system users and executes simple switching functions.

With the virtual in-house telephone, the In-Home door station becomes part of the IP network. Call, speech and video signals from the door are transmitted in the network and received by the client software. The PC takes on the role of an indoor call station.

**BSHT 650-0**

The virtual in-house telephone assumes the function of a video indoor station as the client software on a Windows PC or a Windows-based operating panel.

Performance features:

- Control directly at the monitor by mouse click or fingertip pressure
 - Two view modes: Window and widget view
 - Audio and video door communication
 - Camera surveillance
 - Video memory
 - Direct door dialling from list
 - Receiving group calls
 - Switching and control functions (e.g. for door opening and light switching)
- Available for the Smart Gateway Professional (SG 650-0)
- Subject to licence, 2 licences for Smart Gateway Professional (SG 650-0) included

• CTI door call: Audio transmission via the telephone network in parallel with the video signal possible over Ethernet, ensuring an audio link in optimum TC quality

Minimum system requirements:

- Microsoft® Windows 8, Windows 8 Pro/Enterprise - (32/64 Bit)
- Microsoft® Windows 8.1, Windows 8.1 Pro/Enterprise - (32/64 Bit)
- Microsoft® Windows 10 Home/Pro/Enterprise - (32/64 Bit)
- At least Microsoft® DirectX® 9.0c
- CPU: Dual-Core from 2.0 GHz
- At least 2 GB RAM
- Graphics card with at least 1024 x 768 pixel, at least full support for DirectX® 9.0c / Direct3D® 9
- Ethernet card/Network connection: 100 Mbit
- Sound card with connected headset/loudspeaker and microphone (depending on operating mode; a headset/loudspeaker is always required on the computer for signalling a storey call acoustically)

BLSHT 250-0

Application licence for enabling the BSHT 650-... virtual in-house telephone on a SG 150-... Smart Gateway. One BLSHT 250-... application licence can be imported per Smart Gateway. One free BLC 250-0 user licence is additionally required for the integration of the virtual in-house telephone. The BSHT 650-... software is available to download free of charge for your laptop/PC in Siedle's download area.

BLC 250-0

Licence for an additional IP user at the Smart Gateway. Purchase orders can be placed via the "My Siedle" service portal: www.siedle.com/mysiedle



Siedle sets

Overview	98
Siedle Compact sets Audio	99
Audio set Siedle Basic	100
Video set Siedle Basic	101
Expansion options for the Basic sets	102
Smart Gateway starter kit	104
Smart Gateway starter kit expansion options	106

Overview



The low-cost, compact entry into the Siedle class: Restricted in functional terms to essentials, but uncompromising in terms of technology, quality and design.

Highlights

- Quick and easy surface mounting
- Well-known and proven system products
- LED-lit buttons
- For 1 - 4 (audio) or 1 - 2 (video) residential units
- Automatic commissioning, little effort and no tools needed
- Ideal for renovations and modernisation



Sets with the handsfree stations from the Siedle Basic design line using In-Home bus technology.

Those who don't need flexible expansion options and prefer a classic in-house telephone with receiver can opt for a Compact audio set with 1+n technology.

Siedle Compact sets Audio



SET CA 812-1 E/W

Siedle Compact audio set in 1+n technology with the functions calling, speech and door release.
Number of integrated call buttons: 1
Each Compact set can be extended with an additional indoor station per call button and enhanced with a secondary signal unit.

Scope of delivery:

- Audio door station Siedle Compact (Brushed stainless steel): 1
- Standard in-house telephone: 1
- Transformer: 1



SET CA 812-2 E/W

Siedle Compact audio set in 1+n technology with the functions calling, speech and door release.
Number of integrated call buttons: 2
Each Compact set can be extended with an additional indoor station per call button and enhanced with a secondary signal unit.

Scope of delivery:

- Audio door station Siedle Compact (Brushed stainless steel): 1
- Standard in-house telephone: 2
- Transformer: 1



SET CA 812-3 E/W

Siedle Compact audio set in 1+n technology with the functions calling, speech and door release.
Number of integrated call buttons: 4
Each Compact set can be extended with an additional indoor station per call button and enhanced with a secondary signal unit.

Scope of delivery:

- Audio door station Siedle Compact (Brushed stainless steel): 1
- Standard in-house telephone: 3
- Transformer: 1

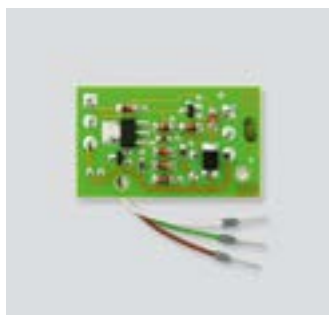


SET CA 812-4 E/W

Siedle Compact audio set in 1+n technology with the functions calling, speech and door release.
Number of integrated call buttons: 4
Each Compact set can be extended with an additional indoor station per call button and enhanced with a secondary signal unit.

Scope of delivery:

- Audio door station Siedle Compact (Brushed stainless steel): 1
- Standard in-house telephone: 4
- Transformer: 1



ZERT 811-0

Storey call accessory for mounting in the HTS 811-... Permits the storey call function in 1+n installations without DC supply at the storey call button.

Specifications

CA 812-... E

Contact type: 2 contact 15 V AC, 30 V DC, 2 A
Protection system: IP 54
Ambient temperature: -20 °C to +55 °C
Dimensions (mm) W x H x D:
82 x 226 x 29

HTS 811-0

Ambient temperature: +5 °C to +40 °C
Dimensions (mm) W x H x D:
91 x 201 x 46

TR 603-0

Operating voltage:
230 V AC, +/-10 %, 50/60 Hz
Operating current: 100 mA
Output voltage: 12 V AC
Output current: max. 1.3 A
Fusing: primary thermal fuse, secondary short circuit proof
Protection system: IP 20
Ambient temperature: 0 °C to +40 °C
Horizontal pitch (HP): 3
Dimensions (mm) W x H x D:
53.5 x 89 x 60

For more information, please refer to the Siedle website.

Audio set Siedle Basic plug+play



SET CAB 850-1 E/W

Siedle Basic audio set in bus technology with the functions calling, speech and door release.

Number of integrated call buttons: 1
Each Basic set can be expanded with selected door and indoor stations, and enhanced with switching functions and a telephony connection.

Scope of supply:

- Audio door station Siedle Compact (Brushed stainless steel): 1
- Audio indoor stations Siedle Basic: 1
- Set line rectifier: 1



SET CAB 850-2 E/W

Siedle Basic audio set in bus technology with the functions calling, speech and door release.

Number of integrated call buttons: 2
Each Basic set can be expanded with selected door and indoor stations, and enhanced with switching functions and a telephony connection.

Scope of supply:

- Audio door station Siedle Compact (Brushed stainless steel): 1
- Audio indoor stations Siedle Basic: 2
- Set line rectifier: 1



SET CAB 850-3 E/W

Siedle Basic audio set in bus technology with the functions calling, speech and door release.

Number of integrated call buttons: 4
Each Basic set can be expanded with selected door and indoor stations, and enhanced with switching functions and a telephony connection.

Scope of supply:

- Audio door station Siedle Compact (Brushed stainless steel): 1
- Audio indoor stations Siedle Basic: 3
- Set line rectifier: 1



SET CAB 850-4 E/W

Siedle Basic audio set in bus technology with the functions calling, speech and door release.

Number of integrated call buttons: 4
Each Basic set can be expanded with selected door and indoor stations, and enhanced with switching functions and a telephony connection.

Scope of supply:

- Audio door station Siedle Compact (Brushed stainless steel): 1
- Audio indoor stations Siedle Basic: 4
- Set line rectifier: 1

Specifications

CA 850-... E

Contact type: contact 24 V, 2 A
Protection system: IP 54
Ambient temperature: -20 °C to +55 °C
Dimensions (mm) W x H x D:
82 x 226 x 29

AIB 150-01

Operating voltage: via In-Home bus
Ambient temperature: +5 °C to +40 °C
Dimensions (mm) W x H x D:
79 x 133 x 23

SNG 850-0

Operating voltage:
230 V AC, +/-10 %, 50/60 Hz
Operating current: 200 mA
Output voltage: 27.5 V DC, 12 V AC
Output current: 0.5 A DC, 1 A AC
Fusing: Primary fuse 1 T 250 mA L, secondary short circuit proof
Contact type: 2 n.o. contacts 24 V, 2 A
Protection system: IP 30
Ambient temperature: 0 °C to +40 °C
Horizontal pitch (HP): 9
Dimensions (mm) W x H x D:
162 x 89 x 60

SNG 850-0 set line rectifier performance features:

- 10 bus addresses for supplying the bus users
- Integrated door release and light contact
- Programming: manual, Plug+Play or via BPS 650-... (Windows PC) with ZBVG 650-... and PRI 602-... USB

For more information, please refer to the Siedle website.

Video set Siedle Basic plug+play

**SET CVB 850-1 E/W**

Siedle Basic video set in bus technology with the functions calling, speech, vision and door release.

Number of integrated call buttons: 1
Each Basic set can be expanded with selected door and indoor stations, and enhanced with switching functions and a telephony connection.

Scope of supply:

- Video door station Siedle Compact (Brushed stainless steel): 1
- Video indoor stations Siedle Basic: 1
- Set line rectifier: 1

**SET CVB 850-2 E/W**

Siedle Basic video set in bus technology with the functions calling, speech, vision and door release.

Number of integrated call buttons: 2
Each Basic set can be expanded with selected door and indoor stations, and enhanced with switching functions and a telephony connection.

Scope of supply:

- Video door station Siedle Compact (Brushed stainless steel): 1
- Video indoor stations Siedle Basic: 2
- Set line rectifier: 1

Specifications**CV 850-1/2-02 E**

Colour system: PAL
Image pick-up: CMOS sensor 1/3"
756 x 504 Pixel
Resolution: 550 TV lines
Lens: 3,7 mm
Pick-up angle: horizontal appr. 65°,
vertical appr. 50°
Mechanical adjustment range:
30° horizontal/vertical
Operating voltage: via In-Home bus
Contact type: contact 24 V, 2 A
Protection system: IP 54, IK 8
Ambient temperature: -20 °C to +40 °C
Dimensions (mm) W x H x D:
82 x 226 x 35

VIB 150-0

Operating voltage: via In-Home bus
Operating current: on supply via
+M/-M max. 300 mA
Dimensions (mm) W x H x D:
135 x 115 x 24

SNG 850-0

Operating voltage:
230 V AC, +/-10 %, 50/60 Hz
Operating current: 200 mA
Output voltage: 27.5 V DC, 12 V AC
Output current: 0.5 A DC, 1 A AC
Fusing: Primary fuse 1 T 250 mA L,
secondary short circuit proof
Contact type: 2 n.o. contacts 24 V, 2 A
Protection system: IP 30
Ambient temperature: 0 °C to +40 °C
Horizontal pitch (HP): 9
Dimensions (mm) W x H x D:
162 x 89 x 60

SNG 850-0 set line rectifier performance features:

- 10 bus addresses for supplying the bus users
- Integrated door release and light contact
- Programming: manual, Plug+Play or via BPS 650-... (Windows PC) with ZBVG 650-... and PRI 602-... USB

For more information, please refer to the Siedle website.

Expansion options for the Basic sets



A loft is developed, the yard gate or the rear entrance is to be integrated into the system – requirements can grow. The Basic sets grow with you.



Inside
A maximum of eight Basic indoor stations, up to four in parallel operation.



Outside
A maximum of three door stations, Compact or one of the design lines Vario, Classic or Steel with camera 130/180.



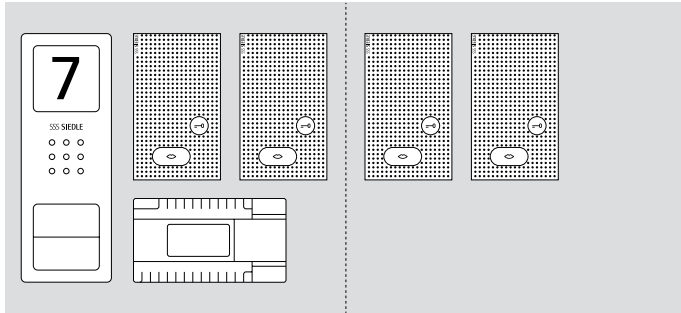
Telephone
The landline telephone as an indoor call station via the DoorCom Analog interface.

App
Mobile extension of a door intercom system through the Siedle app via the Smart Gateway



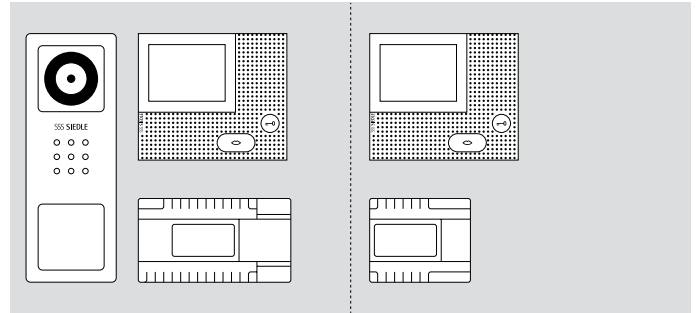
Switching
Control of additional switching functions via the bus switching unit.

Note:
Additional supply/distribution devices are needed for the expansion of the Basic sets as required.



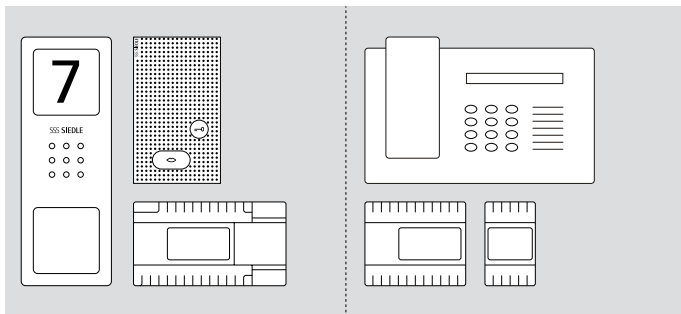
SET CAB 850-2 E/W

2 AIB 150-01



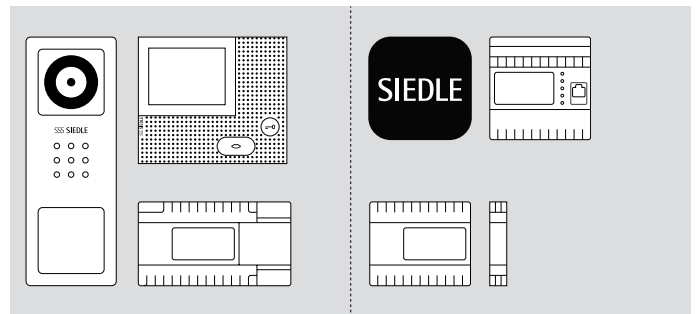
SET CVB 850-1 E/W

VIB 150-0
NG 602-01



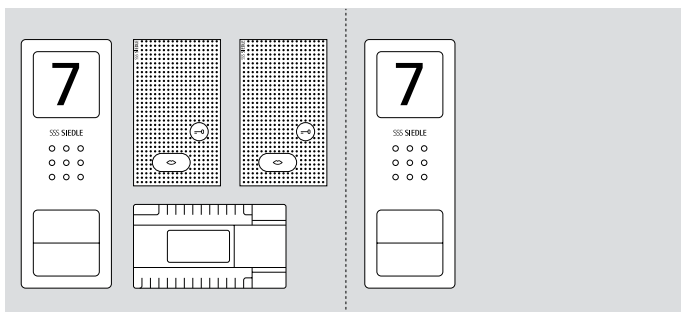
SET CAB 850-1 E/W

DCA 650-02
TR 603-0



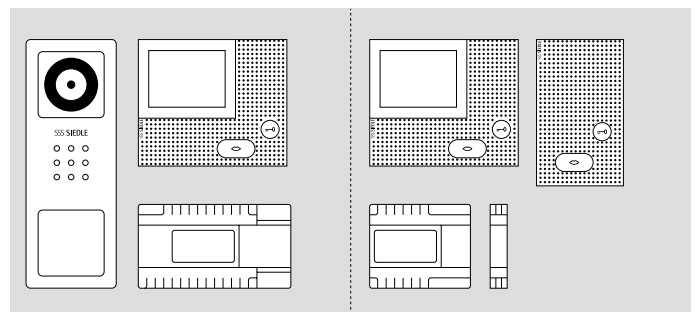
SET CVB 850-1 E/W

Siedle App
SG 150-0
ANG 600-0
BAVU 652-0



SET CAB 850-2 E/W

CA 850-2 E



SET CVB 850-1 E/W

VIB 150-0
AIB 150-01
NG 602-01
BAVU 652-0

Smart Gateway starter kit Overview



The new Smart Gateway starter kit means it is more cost effective than ever before to access the IP world! And with the new Smart Gateway 2.0, commissioning is child's play.

Both kits come with supply technology. The kits offer a range of expansion options: They can be expanded with various indoor stations or additional door stations.

**See who is at the door.
At home and on the move.**

Door calls can be received from anywhere – at home or on the move – via smartphone with the Smart Gateway and the Siedle apps for iOS and Android.

**SET CVSG 850-1**

The Smart Gateway starter kit for surface mounting contains all the components you need to accept a door call with video on your smartphone and open the door.

Scope of supply:

- Siedle Compact video door station
 - Smart Gateway
 - Set line rectifier
 - Access line rectifier
- Detailed specifications can be found in the product information.

**SET CVUSG 850-1**

The Smart Gateway starter kit for flush mounting contains all the components you need to accept a door call with video on your smartphone and open the door.

Scope of supply:

- Siedle Compact video door station
 - Smart Gateway
 - Set line rectifier
 - Access line rectifier
- Detailed specifications can be found in the product information.

Specifications**BCV 850-1-01 E**

Colour system: PAL
Image pick-up: CMOS sensor 1/3"
756 x 504 Pixel
Resolution: 550 TV lines
Lens: 3,7 mm
Pick-up angle: horizontal appr. 65°,
vertical appr. 50°
Mechanical adjustment range: 30°
horizontal/vertical
2-step heating: 12 V AC, max. 110 mA
Operating voltage: via In-Home bus
Contact type: contact 24 V, 2 A
Protection system: IP 54, IK 8
Ambient temperature: -20 °C to +40 °C
Dimensions (mm) W x H x D:
82 x 226 x 35

BCVU 850-1-0 E

For further technical details please see above.
Contact type: contact 24 V, 2 A
Protection system: IP 54, IK 8
Ambient temperature: -20 °C to +40 °C
Dimensions front panel (mm) W x H x D:
110 x 273 x 1
Dimensions housing (mm) W x H x D:
85 x 253 x 48

SG 150-0

Operating voltage: 20–50 V DC, PoE in
accordance with 802.3af
Operating current: max. 400 mA
Protection system: IP 20
Ambient temperature: 0 °C to +40 °C
Horizontal pitch (HP): 6
Dimensions (mm) W x H x D:
107 x 109 x 60

ANG 600-0

Operating voltage: 100–240 V AC,
+/-10 %, 50/60 Hz
Operating current: 0.5–1 A
Output voltage: 48 V DC
Output current: 800 mA
Fusing: primary thermal fuse, secondary
short circuit proof
Contact type: changeover switch
max. 250 V AC, 6 A
Protection system: IP 20
Ambient temperature: 0 °C to +40 °C
Horizontal pitch (HP): 6
Dimensions (mm) W x H x D:
107 x 89 x 60

SNG 850-0

Operating voltage:
230 V AC, +/-10 %, 50/60 Hz
Operating current: 200 mA
Output voltage: 27.5 V DC, 12 V AC
Output current: 0.5 A DC, 1 A AC
Fusing: Primary fuse 1 T 250 mA L,
secondary short circuit proof
Contact type: 2 n.o. contacts 24 V, 2 A
Protection system: IP 30
Ambient temperature: 0 °C to +40 °C
Horizontal pitch (HP): 9
Dimensions (mm) W x H x D:
162 x 89 x 60

SNG 850-0 set line rectifier performance features:

- 10 bus addresses for supplying the bus users
- Integrated door release and light contact
- Programming: manual, Plug+Play or via BPS 650-... (Windows PC) with ZBVG 650-... and PRI 602-... USB

For more information, please refer to the Siedle website.

Smart Gateway starter kit expansion options



A loft is developed, the yard gate or the rear entrance is to be integrated into the system - requirements can grow. The Siedle sets grow with you.

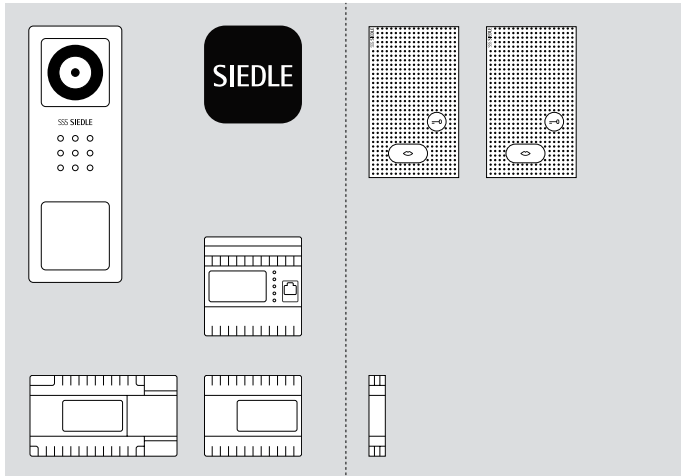


Inside
Maximum of seven Basic indoor stations.



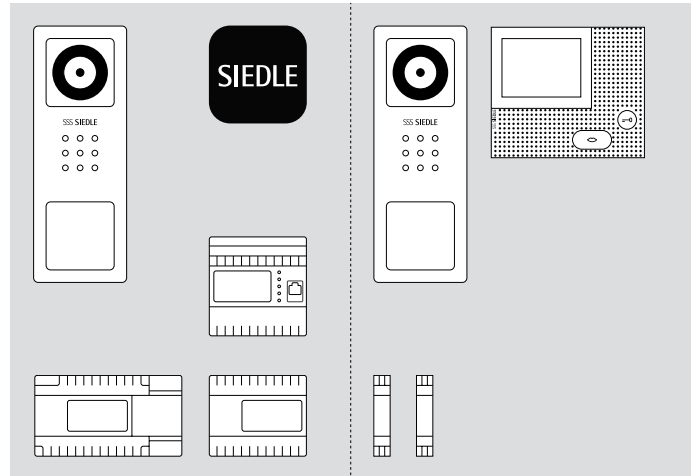
Outside
A maximum of three door stations, Compact or one of the design lines Vario, Classic or Steel with camera 130/180.

Note:
Additional supply/distribution devices are needed for the expansion of the Siedle sets as required.



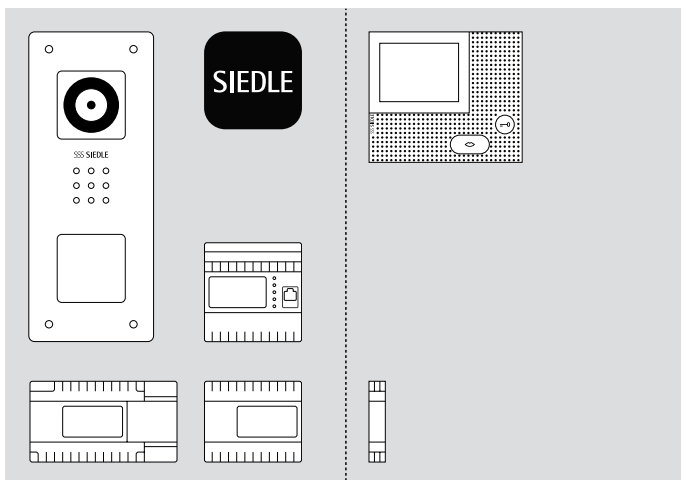
SET CVSG 850-1

2 AIB 150-01
BAVU 652-0



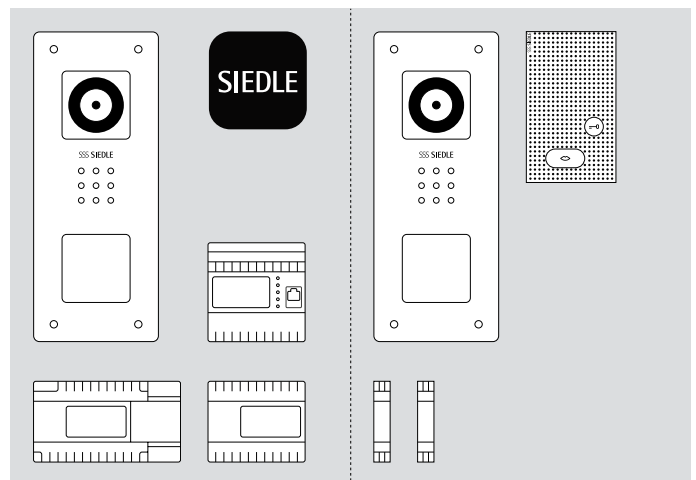
SET CVSG 850-1

BCV 850-1-01 E
VIB 150-0
BAVU 652-0
BVVS 652-0



SET CVUSG 850-1

VIB 150-0
BAVU 652-0



SET CVUSG 850-1

BCVU 850-1-0 E
AIB 150-01
BAVU 652-0
BVVS 652-0



Siedle Compact

Overview	110
Surface mounted	111
Flush-mounting	111

Overview



Good design should be affordable for all. Which is why the Siedle Compact is now available in a new design line: door communication with stainless steel front and proven technology for a reasonable price. The new Siedle Compact design line is available for flush mounting and surface mounting.

High-quality, space-saving and low cost: Siedle Compact makes entry into the Siedle world easier than ever. The new design line in stainless steel delivers all the main functions and is available in surface-mounted and flush-mounted versions. When it comes to selecting the indoor station, the entire Siedle In-Home bus range is available – including the Siedle app for mobile devices (a Smart Gateway is required to connect the app).

These devices with robust stainless steel surface impress with their minimalistic design, first-class transmission quality and reliability "Made in Germany". Siedle Compact is suitable for detached houses and smaller apartment buildings.

Surface mounted



CA 850-1 E

CA 850-2 E

CA 850-4 E

Siedle Compact audio door station, for installation in the In-Home bus or as a replacement device in the Siedle Basic audio set. With the functions calling, speech and door release.

Performance features:

- Integrated door loudspeaker
- Adjustable voice volume
- Number of integrated call buttons: 1, 2, 4
- Acoustic button acknowledgement can be activated
- Backlit nameplates exchangeable from the front
- Backlit info sign for house number, logos, opening times, etc.
- for surface mounting with brushed stainless steel panel

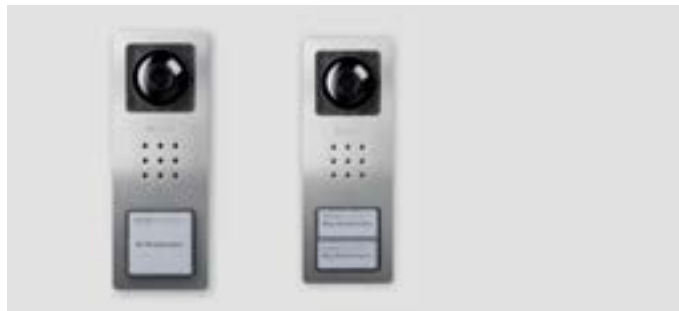
Contact type: contact 24 V, 2 A

Protection system: IP 54

Ambient temperature: -20 °C to +55 °C

Dimensions (mm)

W x H x D: 82 x 226 x 29



BCV 850-1-01 E

BCV 850-2-01 E

Siedle Compact video door station in bus technology, for installation in the In-Home bus. With the functions calling, speech, vision and door release.

Performance features:

- Integrated camera with automatic day/night switchover, LED lighting and 2-stage heating
- Integrated door loudspeaker
- Adjustable voice volume
- Number of integrated call buttons: 1, 2
- Acoustic button acknowledgement can be activated
- Backlit nameplates exchangeable from the front

- for surface mounting with brushed stainless steel panel

Colour system: PAL

Image pick-up: CMOS sensor 1/3"

756 x 504 Pixel

Resolution: 550 TV lines

Lens: 3,7 mm

Pick-up angle: horizontal appr. 65°,

vertical appr. 50°

Mechanical adjustment range:

30° horizontal/vertical

2-step heating: 12 V AC, max. 110 mA

Operating voltage: via In-Home bus

Contact type: contact 24 V, 2 A

Protection system: IP 54, IK 8

Ambient temperature: -20 °C to +40 °C

Dimensions (mm)

W x H x D: 82 x 226 x 35

Successor being prepared:

CV 850-1-03 E

New: Camera heating is supplied via the In-Home bus.

Flush-mounting



CAU 850-1-0 E

CAU 850-2-0 E

CAU 850-4-0 E

Siedle Compact audio door station flush mounting, for installation in the In-Home bus. With the functions calling, speech and door release.

Performance features:

- Integrated door loudspeaker
- Adjustable voice volume
- Number of integrated call buttons: 1, 2, 4
- Acoustic button acknowledgement can be activated
- Backlit nameplates exchangeable from the front
- Backlit info sign for house number, logos, opening times, etc.
- For flush mounting with brushed stainless steel panel

Contact type: contact 24 V, 2 A

Protection system: IP 54

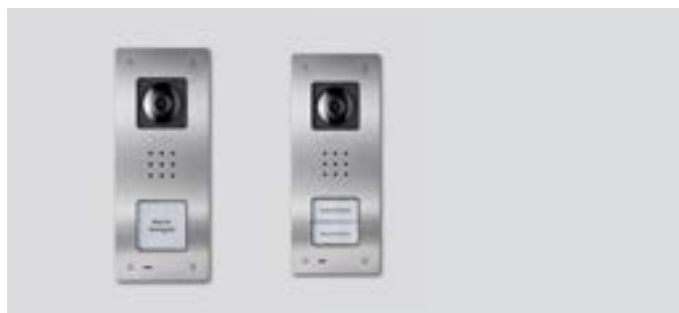
Ambient temperature: -20 °C to +55 °C

Dimensions front panel (mm) W x H x D:

110 x 273 x 1

Dimensions housing (mm)

W x H x D: 85 x 253 x 48



BCVU 850-1-0 E

BCVU 850-2-0 E

Siedle Compact video door station flush mounting in bus technology, for installation in the In-Home bus. With the functions calling, speech, vision and door release.

Performance features:

- Integrated camera with automatic day/night switchover, LED lighting and 2-stage heating
- Integrated door loudspeaker
- Adjustable voice volume
- Number of integrated call buttons: 1, 2
- Acoustic button acknowledgement can be activated
- Backlit nameplates exchangeable from the front

- For flush mounting with brushed stainless steel panel

Colour system: PAL

Image pick-up: CMOS sensor 1/3"

756 x 504 Pixel

Resolution: 550 TV lines

Lens: 3,7 mm

Pick-up angle: horizontal appr. 65°,

vertical appr. 50°

Mechanical adjustment range:

30° horizontal/vertical

2-step heating: 12 V AC, max. 110 mA

Operating voltage: via In-Home bus

Contact type: contact 24 V, 2 A

Protection system: IP 54, IK 8

Ambient temperature: -20 °C to +40 °C

Dimensions front panel (mm) W x H x D:

110 x 273 x 1

Dimensions housing (mm)

W x H x D: 85 x 253 x 48

Successor being prepared:

CVU 850-1-0 E

New: Camera heating is supplied via the In-Home bus.



Siedle Vario

Overview	114
System examples	116
Pre-installation and mounting	118
Siedle lettering service	119
Module and function overview	120
Colour overview	122
Lettering and illumination	124
Surface-mounted door stations	128
Flush-mounted door stations	134
Free-standing door stations	142
Surface-mounted letterboxes	150
Flush-mounted letterboxes	160
Free-standing letterboxes	174
Letterbox door panel	196

Overview



Multi-talent

Siedle Vario covers just about every conceivable requirement when it comes to entryway communication. In the wall, on the wall or free-standing, four standard colours and an unlimited choice of non-standard shades, with letterbox, lighting video surveillance or access control: Siedle Vario integrates whatever functions are possible in the entrance area within a single standardized framework.



Design icons

The multiple prize-winning system design ensures that every combination addresses the most stringent design aspirations. Siedle Vario is the epitome of good modular structured door communication. The system has received multiple design awards - and served as a model for a whole product category.

Cohesive design instead of a piecemeal add-on approach

Today, an entrance is far more than just a front door. It can begin with the driveway and continue into the interior of the building. In-between there are countless possible functions and unlimited scope for individual design.

The system classic Siedle Vario provides more functions, more colours and more fields of application than any other system on the market.

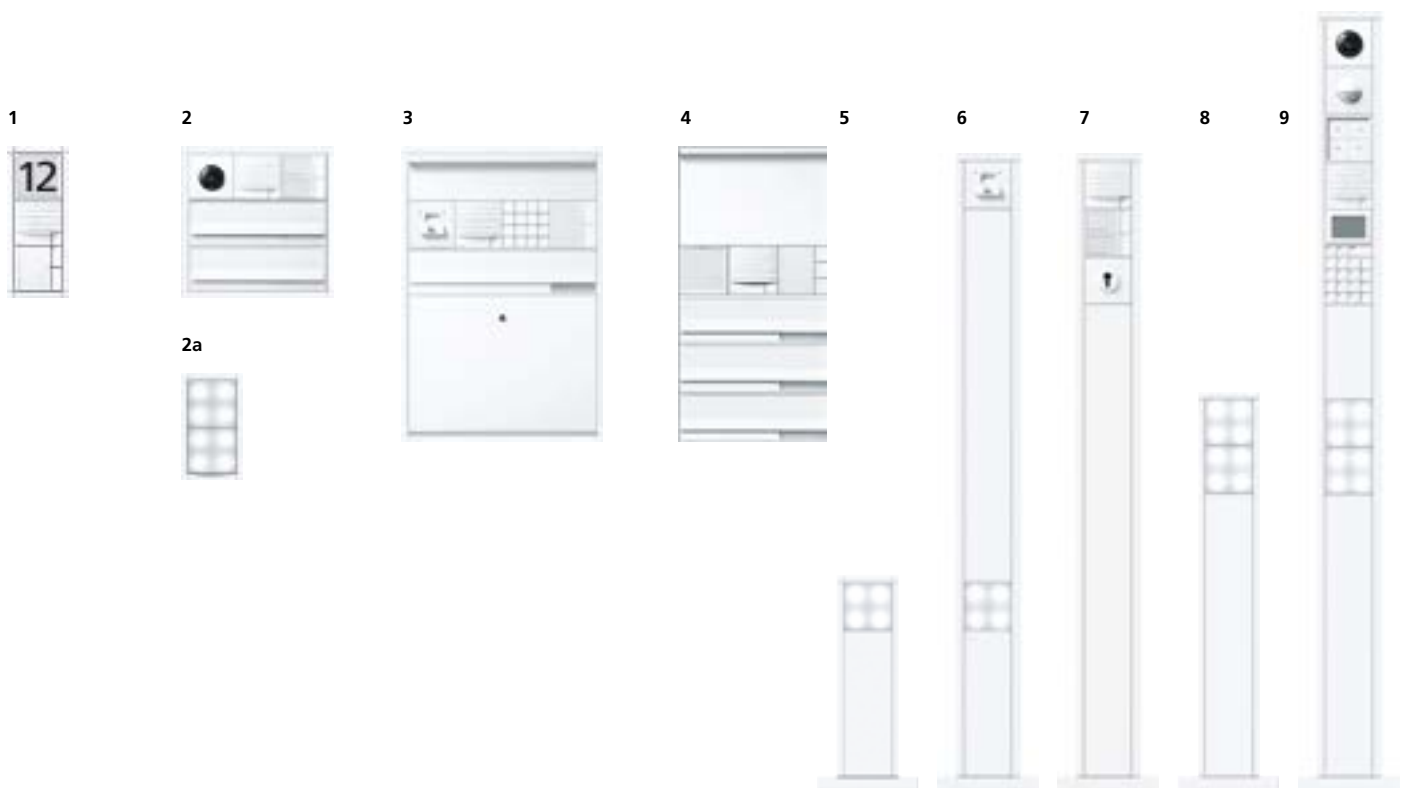
The wide Siedle Vario spectrum provides infinite scope for adapting your entrance area to your specific design preferences - always in the certainty that everything will match and work together perfectly.



System examples

From the door bell to the switching and control centre, modern building communication has a lot to offer. Visitor information and guidance, receiving mail, lighting, security, access control and image projection: The requirements are many and varied. Siedle's solution is a simple one: The modular principle. Siedle Vario is unmatched in its flexibility. As an open-ended, modular system, it fits in with the building owner's requirements, the design specifications of the architect as well as building constraints. The Vario system design ensures that

any combination of functional modules complies with the most stringent standards of both form and function. Top-quality materials such as aluminium or weather and UV-resistant polycarbonate guarantee reliable performance over a long service life. The same high standards apply to the planning and processing stage. Thanks to pre-installation, mounting aids and installation compartments, Siedle Vario is quickly and economically planned and installed.



1 The door intercom system

Call button, loudspeaker and info module indicating the house number – the classical intercom system forms the basis for all door communication. Sophisticated audio and voice quality, high-grade engineering and timeless design ensure satisfaction in the long term. Whether flush-mounted or as a surface-mounted retrofit unit, the minimal housing height is another unmistakable characteristic of Siedle Vario.

From page 128

2 The pass-through letterbox

A tasteful calling card which puts an end to the motley collection of boxes next to the front door. We advise you to recommend your customers to select a door station, letterbox, info sign and lighting system from a single, competent source. The generous pass-through letterbox offers convenient rear removal of mail items and the function modules such as movement sensor, electronic key etc. make for greater convenience and security.

From page 160

2a The LED light module

Energy-saving, durable, extremely low profile: Four white LEDs behind acrylic glass, for mounting in-row horizontally or vertically without any visible web.

From page 126

3 The letterbox with removal from the front

Whether for reasons of lack of space or personal preference – Siedle Vario together with the letterbox for removal from the front team up to create an impressive reception. Whether surface or flush-mounted - the generous letterbox is capable of accommodating even bulky mail items, and together with the function modules creates a convenient communication centre.

From page 150

4 The door panel letterbox

For custom-tailored solutions made from one and the same mould, Siedle Vario is also offered as a version for mounting in existing door elements. Letterboxes, Vario modules and the LED surface area light are individually combined. In this way, door stations are created which blend ideally into the entrance area of a residential or office complex.

From page 196

5, 6, 7, 8, 9 The communication pedestal; free-standing

Flexible from every point of view: The free-standing pedestals are placed where they are required without cutting into the facade. Glass elements or insulated walls remain untouched. If lighting is integrated in the pedestal base, when used in combination with light pedestals an integral design concept results throughout the whole of the entrance area.

From page 142

5, 6, 8, 9 The Vario pedestal with LED light module

Stylish lighting for paths, staircases or drives at an optimum height. LED light modules for mounting in communication pedestals or free-standing in the form of light pedestals.

From page 149

10



**10, 11 The space-saving letterbox;
surface-mounted and free-standing**

Anyone wishing to accommodate a lot of letterboxes in restricted space is offered the ideal solution in the form of the space-saving letterbox, either in a surface-mounted or free-standing version. Together with the Vario system for calling, speech, video, surveillance, control, lighting and information, solutions are created which not only maintain but also enhance the value of the property.

From page 156

11



11, 12, 13 Free-standing letterboxes

The free-standing letterbox unit blends ideally against any background and in any situation. A flexible, functional and prestigious mail and door station. Precisely where it is needed and can be shown off to best effect. The space-saving letterbox or letterbox for front removal can be combined at will with the various Vario modules. The free-standing letterboxes can also be supplied on request as a custom-built unit with removal from the rear.

From page 174

12



**12, 13 The communication pedestal
with letterbox, free-standing**

With function modules placed in the ideal ergonomic position, the letterbox can be transformed into a progressive communication centre. Information signs and LED surface area lights placed intelligently on the pedestal for improved orientation. The free-standing letterboxes can also be supplied on request as a custom-built unit with removal from the rear.

From page 192

13



Please note:
The following subchapters contain common system examples.

Pre-installation and mounting



The Vario housing – perfection down to the last detail

- Several cable entries ensure that the housing can be mounted just exactly where it is required.
- Spacing sleeves help compensate for varying wall evenness.
- Special seals provide optimum protection from water in case of uneven wall surfaces.
- The clip mechanism integrates the (optional) anti-pilfer device for valuable modules such as the camera.



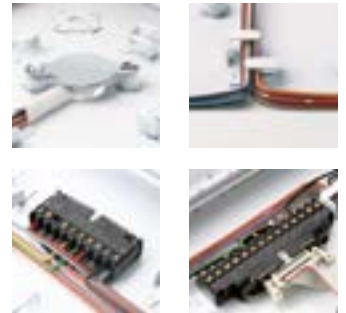
No more finger acrobatics between sharp edges. The swivel-action module retainer creates space for working and affords free vision to the technical elements. This simplifies both inspection and servicing work, as the system can be simply and quickly tested while still connected.



Due to clearly arranged pre-installation, the wiring is correct right from the start. The freely accessible and generous installation compartment permits fast working and offers ...



... reserve cables with the flush and surface-mount housings to accommodate modules which have to be added or differently installed.



(Top photos)
Small cause, big effect: The holding-down device at the cable guide and other guidance elements ensure a neat, tidy installation and simple clip-in attachment of the modules.

(Photo bottom left)
The key to the Siedle Vario pre-installation concept is the combination terminal. The cores are positioned in the dismantled terminal without distortion. Thanks to clear inscription of the screw and terminal compartment, assignment is child's play. Screw-type terminals with positively guided wire protection ensure reliable, simple contacting. The completely wired combination terminal simply clips in on the floor of the housing. Just click in and you are ready to go.

(Photo bottom right)
Small cause, big effect: The functional module is connected in just seconds. Coded plugs preclude any possibility of connection errors, the mechanical locking mechanism guarantees a firm fit without screw connections - simply plug and play.

Siedle lettering service



For more detailed information on the Siedle lettering service, see page 294.

Module and function overview



Call button module with 1 button
Bell symbol and nameplate LED backlit, nameplate can be exchanged without removing the module.



Call button module with 2 buttons



Call button module with 3 buttons



Call button module with 4 buttons



Door loudspeaker module
The basis for every intercom system: Loudspeaker, microphone, backlit light button.



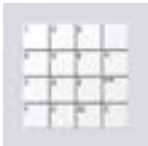
Camera 130/180
High-resolution colour camera with wide field of vision. Horizontal/vertical pick-up range: appr. 130°/100° or 175°/120°.



Camera 80
Colour camera with adjustable wide-angle lens. Effective horizontal/vertical pick-up range: 80°/60°, additional mechanical adjustment by 30°.



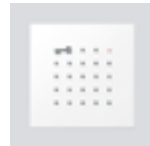
Status display module
Four backlit LED symbols signal the different statuses: "Call", "Not available", "Speech" and "Door release".



Code lock module
Opens the door or serves as a control centre for all switchable functions, LED backlit.



Fingerprint module
Safe, simple, convenient: Using a finger for door release.



Electronic-key reading module
The alternative to the key: Electronic transponder-based door release, LED backlit.



Lock module
For all standard half-profile cylinders.



LED light module
Energy-saving and almost indestructible: Four white LEDs behind acrylic glass. The modules can be mounted in-row to form large-scale lights.



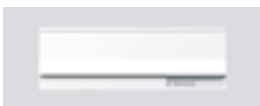
LED spot
Selective LED lighting to emphasize and highlight contours, for instance house numbers or code lock keypads.



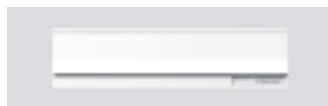
LED light module
Energy-saving and almost indestructible: Four white LEDs behind acrylic glass. The modules can be mounted in-row to form large-scale lights.



LED surface area light (30 cm)
White LEDs in translucent (semi-transparent) plastic housing including inscription surface.



Letterbox flap (30 cm)
For pass-through letterboxes, available in 2 widths.



Letterbox flap (40 cm)



Letterbox module
For entrances of distinction: Integrates post reception into a Vario system.



Storage compartment module
Opens from the front without a key. For newspapers, groceries or other deliveries.



Display call module

For large-scale properties: The display replaces rows of bells. Digital name selection with intuitive operation.



Information module

LED backlit, e.g. for house numbers, opening hours, company logo.



Dummy module

Space for inscriptions or as a space keeper for subsequent additions.



LED surface area light (40 cm)



Info sign module

Plenty of space for all kinds of information. For stand-alone use or integration in Vario systems.



Pilfer safeguard

Mechanical Vario module locking, tamper-proof control from the distributor.

Colour overview
Standard colours



White
(RAL 9016)
Order code: ... W



Silver metallic
(RAL 9006)
Order code: ... SM



Anthracite grey
(RAL 7016)
Order key: ... AG



Micaceous dark grey
(DB 703 micaceous paintwork
finish)
Order code: ... DG



Standard colours

Siedle Vario is available in four standard colours. Alongside the standard paintwork finishes white, silver metallic and anthracite grey, micaceous dark grey provides individual accentuation.

The Siedle Vario colour scale is in tune with strong underlying trends: Anthracite grey and micaceous dark grey are particularly popular with architects, for instance for facades, window frames or gate systems.

Note regarding micaceous paintwork finishes

The durability and long service life achieved by micaceous paintwork finishes is due to the micaceous iron ore particles they contain. These particles reflect and diffuse the light, lending the surface a changing appearance depending on the incidence of light and the angle of vision. The presence of the micaceous iron ore particles also causes a certain degree of surface roughness, making micaceous surfaces slightly less easy to clean than standard paintwork finishes.

**Non-standard paintwork finishes**

Alongside the standard colours and micaceous dark grey, Siedle Vario can be supplied in any optional paintwork finishes from the RAL colour palette (standard degree of gloss silk matt) and by agreement also to match customer samples. This offers property owners and architects the chance to coordinate the door station perfectly with the architecture, the front door, the environment and the building entrance individually. All paintwork finishes are light fast and weather-proof.

Prices and delivery periods for RAL paintwork finishes of the Siedle Vario system 611 are available on request.

**Lettering and illumination
Information module**



IM 612-0
Information module with cassette and inscription field, for house number, pictograms, business hours etc.
Operating voltage: 12 V AC
Operating current: 25 mA
Nameplate size (mm) W x H: 91 x 84
Protection system: IP 54
Ambient temperature: -20 °C to +55 °C
Dimensions (mm) W x H x D:
99 x 99 x 26

Dummy module



BM 611-0
Dummy module for covering blank spaces or later replacement with any other module.
Dimensions (mm) W x H x D:
99 x 99 x 26

Info sign modules

Information signs offer space for inscription of house numbers, company logos, business hours etc.

The info sign module is itself unlighted and is supplied with its own retaining plate, sealing strips, decor plate and mounting accessories. Using a suitable LED surface area light, the info sign module can be lit up. In housings/on combination frames, the info sign module may be mounted if applicable across the intermediate web.

For optimum inscription possibilities please use the Siedle lettering service.

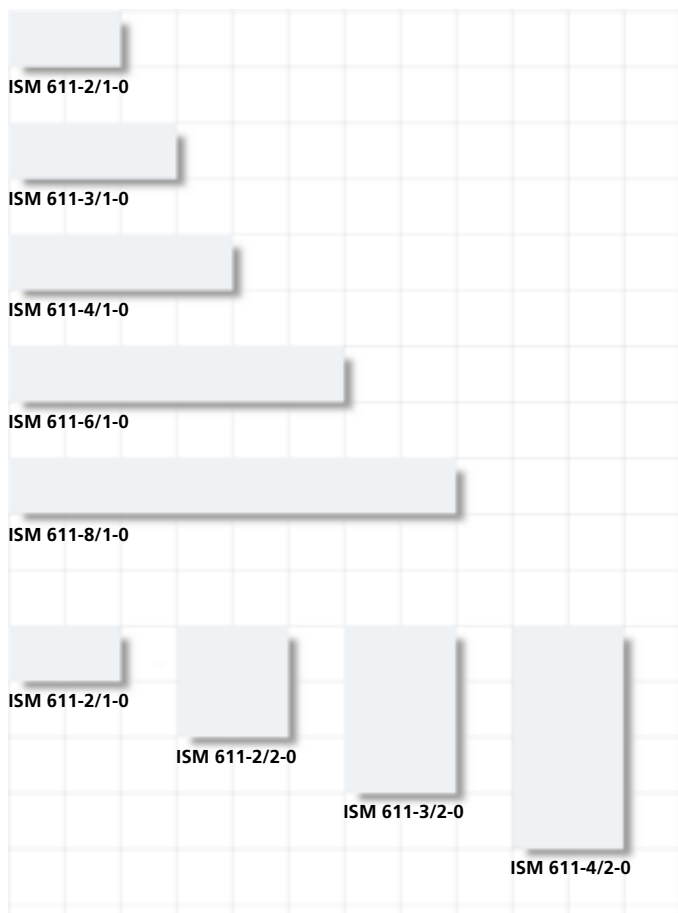
See page 294

Production period for inscription of info sign modules appr. 4 weeks from clarification of order.



ISM 611-3/1-0

Square info sign module, plastic-coated or with paintwork finish, with sealing strips and retaining plate for Vario system 611-...
For notices, house numbers etc. without illumination. No mounting frame required.
Dimensions (mm) W x H x D:
299 x 99 x 10



Specifications

Designation	Dimensions (mm) W x H x D
ISM 611-2/1-0	199 x 99 x 10
ISM 611-2/2-0	199 x 199 x 10
ISM 611-3/1-0	299 x 99 x 10
ISM 611-3/2-0	299 x 199 x 10
ISM 611-3/3-0	299 x 299 x 10
ISM 611-4/1-0	399 x 99 x 10
ISM 611-4/2-0	399 x 199 x 10
ISM 611-4/3-0	399 x 299 x 10
ISM 611-4/4-0	399 x 399 x 10
ISM 611-6/1-0	599 x 99 x 10
ISM 611-6/2-0	599 x 199 x 10
ISM 611-8/1-0	799 x 99 x 10
ISM 611-8/2-0	799 x 199 x 10

Lettering and illumination
Movement sensor module



BMM 611-0
 Movement sensor module in the Vario system with a horizontal pick-up angle of max. 180°.
 It picks up infrared beams in a limitable area such as those emitted by humans. The system contains a highly sensitive infrared detector, a photoelectric lighting controller and the associated amplifying circuit.
 The horizontal detection range and the pick-up width can be adjusted.

- Max. pick-up width depending on mounting height, mounting position of the lens, external temperature and approach direction
- Pick-up width can be reduced using a shield insert
- Horizontal pick-up angle max. 180° adjustable by means of shield insert
- Switching outputs: output 1: Photoelectric lighting controller, output 2: Movement sensor module, output 3: Series connection of output 1 and output 2
- Response threshold for photoelectric lighting controller adjustable between appr. 5-300 Lux
- Photoelectric lighting controller, in combined photoelectric and movement detection mode, self-lighting protection

Operating voltage: 12 V AC
 Operating current: max. 120 mA
 Contact type: contact 24 V, 2 A
 Switching time: 5 sec to 15 min
 Protection system: IP 54
 Ambient temperature: -20 °C to +55 °C
 Height of structure (mm): 25
 Dimensions (mm) W x H x D: 99 x 99 x 51

LED light module



LEDM 600-0
 LED light module for illumination of the surrounding area with 4 energy-saving LEDs.
 Operating voltage: 20-30 V DC
 Operating current: max. 150 mA
 Colour temperature: 6000 K
 Light intensity: 322 cd/klm
 Luminous flux: 98 lm
 Protection system: IP 54
 Ambient temperature: -20 °C to +55 °C
 Dimensions (mm) W x H x D: 99 x 99 x 35

Please note:
 Due to its possible dazzle effect, the LED light module should not be mounted at eye level.

LED spot



LEDS 600-0
 LED spot for accentuation and emphasis of contours or house numbers with energy-saving LEDs as a light source.
 The LED lamp has an aperture angle of around 30° and an output of appr. 3 W.
 The LEDS 600-... is connected using the supplied terminal block.
 Operating voltage: 12 V AC or 20-30 V DC
 Operating current: max. 500 mA or max. 150 mA
 Colour temperature: 6000 K
 Light intensity: 5134 cd/klm
 Luminous flux: 28 lm
 Protection system: IP 54
 Ambient temperature: -20 °C to +55 °C
 Dimensions (mm) W x H x D: 99 x 99 x 62

Please note:
 A camera module must never be placed under an LED spotlight. The intensity of the emitted light could impair the camera function.



Our lights have been DIAL tested. Light distribution curves are provided in the download area www.siedle.de.

LED surface area lights



LEDF 600-3/1-0

LED surface area light for illumination of info signs or the door station with energy-saving LEDs.
 Operating voltage: 20–30 V DC
 Operating current: max. 260 mA
 Colour temperature: 6000 K
 Light intensity: 367 cd/klm
 Luminous flux: 164 lm
 Protection system: IP 54
 Ambient temperature: –20 °C to +55 °C
 Dimensions (mm) W x H x D:
 299 x 99 x 50



LEDF 600-3/2-0

LED surface area light for illumination of info signs or the door station with energy-saving LEDs.
 Operating voltage: 20–30 V DC
 Operating current: max. 260 mA
 Colour temperature: 6000 K
 Light intensity: 367 cd/klm
 Luminous flux: 164 lm
 Protection system: IP 54
 Ambient temperature: –20 °C to +55 °C
 Dimensions (mm) W x H x D:
 299 x 199 x 50



LEDF 600-4/1-0

LED surface area light for illumination of info signs or the door station with energy-saving LEDs.
 Operating voltage: 20–30 V DC
 Operating current: max. 335 mA
 Colour temperature: 6000 K
 Light intensity: 486 cd/klm
 Luminous flux: 194 lm
 Protection system: IP 54
 Ambient temperature: –20 °C to +55 °C
 Dimensions (mm) W x H x D:
 399 x 99 x 50



LEDF 600-4/2-0

LED surface area light for illumination of info signs or the door station with energy-saving LEDs.
 Operating voltage: 20–30 V DC
 Operating current: max. 335 mA
 Colour temperature: 6000 K
 Light intensity: 486 cd/klm
 Luminous flux: 194 lm
 Protection system: IP 54
 Ambient temperature: –20 °C to +55 °C
 Dimensions (mm) W x H x D:
 399 x 199 x 50

Please note:

A camera module may only be conditionally used under a LED surface area light. The intensity of the emitted light could impair the function of the camera. Depending on the pick-up angle of the camera, select the best distance from the lighting.

For more information, please contact your local representative.
 Tel. +49 7723 63-434

Depending on the contrast between the colour of the Vario door station, the colour of the applied lettering and the lighting conditions on site, at least four Vario system rows can be well lit underneath one LED surface area light.

The LED surface area lights are always combined with inscribable surfaces. These are ideally suited for company logos and other information which has to be easily visible in darkness. Alongside all the technical benefits of the LEDs, they also ensure a standardized light temperature and harmonious appearance across the whole of the system.

For optimum inscription possibilities please use the Siedle lettering service.

See page 294

Production period for inscription of info sign modules appr. 4 weeks from clarification of order.

Specifications

Designation	Dimensions (mm) W x H x D
LEDF 600-3/1-0	299 x 99 x 50
LEDF 600-3/2-0	299 x 199 x 50
LEDF 600-3/3-0	299 x 299 x 50
LEDF 600-4/1-0	399 x 99 x 50
LEDF 600-4/2-0	399 x 199 x 50
LEDF 600-4/3-0	399 x 299 x 50
LEDF 600-4/4-0	399 x 399 x 50
LEDF 600-6/1-0	599 x 99 x 50
LEDF 600-6/2-0	599 x 199 x 50
LEDF 600-8/1-0	799 x 99 x 50
LEDF 600-8/2-0	799 x 199 x 50



LNG 600-0

Power line rectifier in the switch panel housing for the central supply of LED modules and bus video panels.
 Operating voltage:
 100–240 V AC, +/-10 %, 50/60 Hz
 Operating current: 0.3 A to 0.7 A
 Output voltage: 30 V DC
 Output current: 1.1 A DC
 Ambient temperature: 0 °C to +40 °C
 Protection system: IP 20
 Horizontal pitch (HP): 6
 Dimensions (mm) W x H x D:
 107 x 89 x 60



Siedle Vario **Surface-mounted door stations**

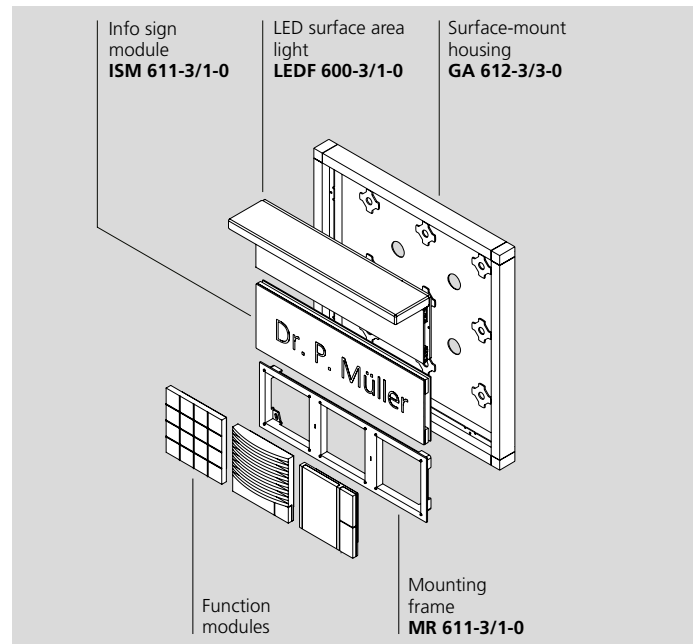
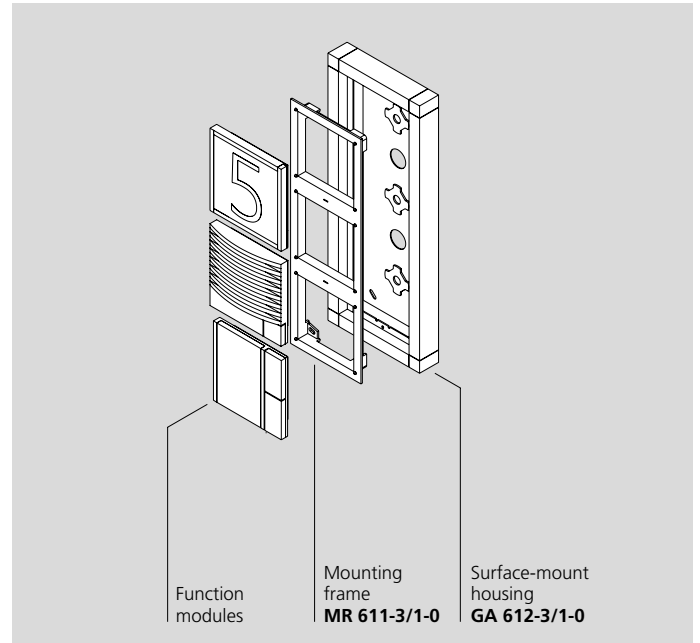
Product description	130
System structure	130
System components	131

Product description



The Siedle Vario surface-mount housing has an extremely low profile of only 37 mm in height and is gratifyingly easy to mount. These benefits make the surface-mounting system the ideal solution for renovation and modernization projects and for applications involving hard substrate materials with difficult processing properties such as marble. Surface-mounting also contributes to energy-saving construction, as it involves neither wall openings nor cutting into the insulating layer.

System structure



The surface-mount housing units GA 612-... are suitable for vertical or horizontal mounting and are fixed to the wall with the aid of 4 fixing holes. The add-on height of the housing is 37 mm. For cable entry, there are one or more cable inlet openings available depending on the size of the housing with the relevant holding-down devices and a corresponding number of seals against the ingress of water. The two- and three-rowed surface-mount housings are additionally fitted with cable channels to ensure tidy installation. With integrated catches for quick fastening of the combination terminal.

When fixing the square functional modules in the surface-mount housing, mounting frames are always required. Quick-release fasteners are available for fixture of the mounting frame MR 611-...

Info sign modules and LED surface area lights, in contrast, are fixed in the surface-mount housing without mounting frame.

Mounting frame MR 611-..., info sign module ISM 611-... and LED surface area lights LEDF 600-... can be inserted in the surface-mount housing both

lengthwise and diagonally. Surface-mount housings are supplied without mounting frame, but with a complete set of accessories for wall mounting.

For insertion in the surface-mount housing, square function modules, info sign modules and LED surface area lights in various lengths are available – for use in almost any optional combination.

System components

**GA 612-1/1-0**

Surface-mount housing in extruded aluminium sheath with zinc die-cast corner connectors and steel floor plate for 1 function module.

Completely powder-coated/painted, for accommodating mounting frame MR 611-1/1.

Dimensions (mm) W x H x D:
132 x 164 x 36.5

**GA 612-2/1-0**

Surface-mount housing in extruded aluminium sheath with zinc die-cast corner connectors and perforated steel floor plate for 2 function modules.

Completely powder-coated/painted, suitable for vertical or horizontal mounting. To accommodate mounting frame MR 611-2/1 or info sign module ISM 611-2/1.

Dimensions (mm) W x H x D:
132 x 232 x 36.5

**GA 612-3/1-0**

Surface-mount housing in extruded aluminium sheath with zinc die-cast corner connectors and perforated steel floor plate for 3 function modules.

Completely powder-coated/painted, suitable for vertical or horizontal mounting. To accommodate mounting frame MR 611-3/1, LED surface area light LEDF 600-3/1 or info sign module ISM 611-3/1.

Dimensions (mm) W x H x D:
132 x 332 x 36.5

**GA 612-4/1-0**

Surface-mount housing in extruded aluminium sheath with zinc die-cast corner connectors and steel floor plate for 4 function modules.

Completely powder-coated/painted, suitable for vertical or horizontal mounting. To accommodate mounting frame MR 611-4/1, LED surface area light LEDF 600-4/1 or info sign module ISM 611-4/1.

Dimensions (mm) W x H x D:
132 x 432 x 36.5

**GA 612-5/1-0**

Surface-mount housing in extruded aluminium sheath with zinc die-cast corner connectors and steel floor plate for 5 function modules.

Completely powder-coated/painted, suitable for vertical or horizontal mounting. To accommodate mounting frame MR 611-2/1 and MR 611-3/1.

Dimensions (mm) W x H x D:
132 x 532 x 36.5

**GA 612-2/2-0**

Surface-mount housing in extruded aluminium sheath with zinc die-cast corner connectors and steel floor plate for 4 function modules.

Completely powder-coated/painted, suitable for vertical or horizontal mounting. To accommodate mounting frame MR 611-2/1 or info sign module ISM 611-...

Dimensions (mm) W x H x D:
232 x 232 x 36.5

**GA 612-3/2-0**

Surface-mount housing in extruded aluminium sheath with zinc die-cast corner connectors and perforated steel floor plate for 6 function modules.

Completely powder-coated/painted, suitable for vertical or horizontal mounting. To accommodate mounting frame MR 611-..., LED surface area lights LEDF 600-... or info sign module ISM 611-...

Dimensions (mm) W x H x D:
232 x 332 x 36.5

**GA 612-4/2-0**

Surface-mount housing in extruded aluminium sheath with zinc die-cast corner connectors and perforated steel floor plate for 8 function modules.

Completely powder-coated/painted, suitable for vertical or horizontal mounting. To accommodate mounting frame MR 611-..., LED surface area lights LEDF 600-... or info sign module ISM 611-...

Dimensions (mm) W x H x D:
232 x 432 x 36.5

**GA 612-3/3-0**

Surface-mount housing in extruded aluminium sheath with zinc die-cast corner connectors and perforated steel floor plate for 9 function modules.

Completely powder-coated/painted, suitable for vertical or horizontal mounting. To accommodate mounting frame MR 611-3/1, LED surface area lights LEDF 600-... or info sign module ISM 611-...

Dimensions (mm) W x H x D:
332 x 332 x 36.5

**GA 612-4/3-0**

Surface-mount housing in extruded aluminium sheath with zinc die-cast corner connectors and perforated steel floor plate for 12 function modules.

Completely powder-coated/painted, suitable for vertical or horizontal mounting. To accommodate mounting frame MR 611-..., LED surface area lights LEDF 600-... or info sign module ISM 611-...

Dimensions (mm) W x H x D:
332 x 432 x 36.5

System components



MR 611-1/1-0
Mounting frame made of zinc die-cast, to hold one function module. Suitable for vertical or horizontal mounting. With quick-release screws for flush-mount housing and Siedle Vario key. Dimensions (mm) W x H x D: 99.5 x 131 x 27



MR 611-2/1-0
Mounting frame made of zinc die-cast, to accommodate 2 function modules. Suitable for vertical or horizontal mounting. With quick-release screws for flush-mount housing and Siedle Vario key. Dimensions (mm) W x H x D: 99.5 x 199.5 x 17



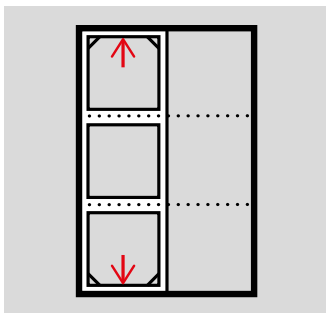
MR 611-3/1-0
Mounting frame made of zinc die-cast, to accommodate 3 function modules. Suitable for vertical or horizontal mounting. With quick-release screws for flush-mount housing and Siedle Vario key. Dimensions (mm) W x H x D: 99.5 x 299.5 x 17



MR 611-4/1-0
Mounting frame made of zinc die-cast, to accommodate 4 function modules. Suitable for vertical or horizontal mounting. With quick-release screws for flush-mount housing and Siedle Vario key. Dimensions (mm) W x H x D: 99.5 x 399.5 x 17

Please note:

The mounting frame MR 611-1/1-... must be ordered to match the housing/frame colour.



Rule

Mounting frames, info sign modules and LED surface area lights are always fixed on two opposite sides at the edge of the surface-mount housing, i.e. they must either take up the complete height or the complete width of the surface-mount housing.



Siedle Vario
Flush-mounted door stations

Flush-mount housing	
Product description	136
System structure	136
System components	137
Mounting solution for cavity walls	
Product description	139
System components	139
System structure	139
Mounting solution for panel	
Product description	140
System structure	140
System components	141

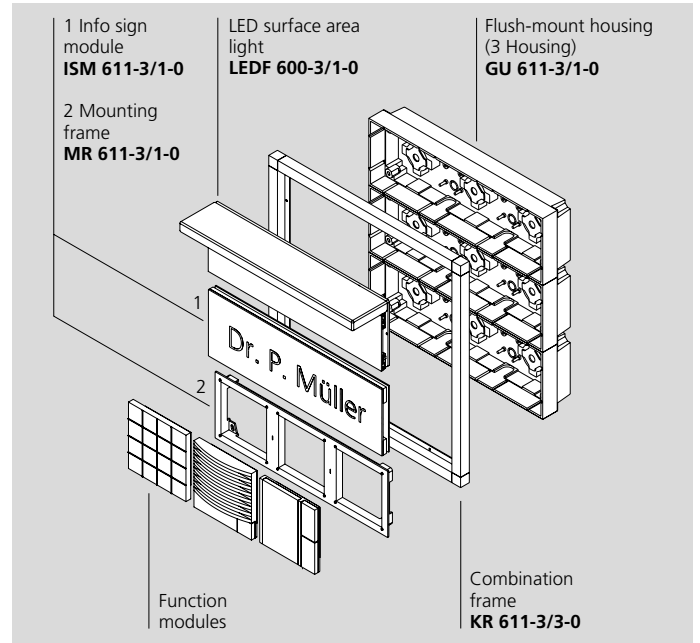
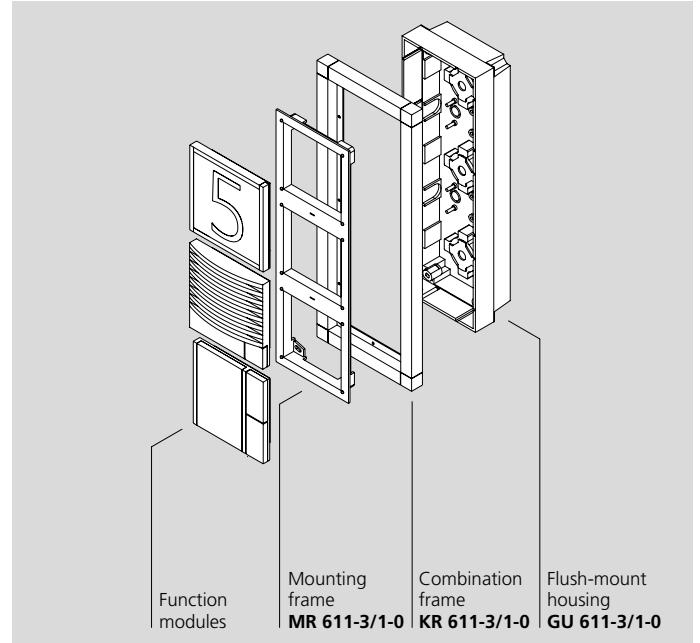
Product description



Where structural circumstances permit, flush-mount housing is unquestionably the most elegant solution for placing communication technology in the entrance area. With a housing height of just 15 mm, Vario provides the ultimate low-profile solution. Projections occur only where required by the functional features, for example in the case of the camera module or LED spot/LED surface area light. The frame always finishes flush with the wall, leaving no gripping surface and so preventing theft and vandalism.

Thanks to the possibility of combining system modules, Siedle Vario can adjust to fit in with any structural specification. The modules can be arranged side by side or one above the other – the proportions are always ideally balanced.

System structure



To permit flush-mounting of square function modules, not only a combination frame KR 611-... but also a flush-mount housing GU 611-... and a corresponding mounting frame MR 611-... are always required. Flush-mount housings and mounting frames form a functional unit and must therefore always be the same size. All combination frames are suitable for vertical and horizontal mounting. Alongside the listed combination frame variants, almost any optional size is available on request.

Please note:
 All combination frames KR 611-... with a depth of 38 mm must be inserted at a depth of appr. 25 mm into the wall. On request, these combination frames can be custom-produced in a depth of 15 mm.

System components



GU 611-1/1-0
 Flush-mount housing in dimensionally stable plastic, for fixture of the mounting frame MR 611-1/1-... using quick-release screw joints. With prepared cable inlets, cable clamps and quick-release fixtures for the combination terminals. Mounting possible with hollow wall mounting accessory ZHB 612-...
 Dimensions (mm) W x H x D:
 100 x 130 x 50

Please note:
 The flush-mount housing GU 611-1/1-... cannot be mounted in a row.



GU 611-2/1-0
 Flush-mount housing in dimensionally stable plastic, for fixture of the mounting frame MR 611-2/1-... using quick-release screw joints. With prepared cable inlets, cable clamps and quick-release fixtures for the combination terminals. Mounting possible with hollow wall mounting accessory ZHB 612-... The housing units can be mounted one above the other and side by side using the provided accessories. Suitable for vertical or horizontal mounting.
 Dimensions (mm) W x H x D:
 100 x 200 x 50



GU 611-3/1-0
 Flush-mount housing in dimensionally stable plastic, for fixture of the mounting frame MR 611-3/1-... using quick-release screw joints. With prepared cable inlets, cable clamps and quick-release fixtures for the combination terminals. Mounting possible with hollow wall mounting accessory ZHB 612-... The housing units can be mounted one above the other and side by side using the provided accessories. Suitable for vertical or horizontal mounting.
 Dimensions (mm) W x H x D:
 100 x 300 x 50



GU 611-4/1-0
 Flush-mount housing in dimensionally stable plastic, for fixture of the mounting frame MR 611-4/1-... using quick-release screw joints. With prepared cable inlets, cable clamps and quick-release fixtures for the terminal blocks. Mounting possible with hollow wall mounting accessory ZHB 612-... The housing units can be mounted one above the other and side by side using the provided accessories or are required for mounting square function modules in the BGA 611-..., BG/SR 611-... For each GU 611-4/1-..., 1 MA/BG 611-... is required. Suitable for vertical or horizontal mounting.
 Dimensions (mm) W x H x D:
 100 x 400 x 50



MR 611-1/1-0
 Mounting frame made of zinc die-cast, to hold one function module. Suitable for vertical or horizontal mounting. With quick-release screws for flush-mount housing and Siedle Vario key.
 Dimensions (mm) W x H x D:
 99.5 x 131 x 27

Please note:
 The mounting frame MR 611-1/1-... must be ordered to match the housing/frame colour.



MR 611-2/1-0
 Mounting frame made of zinc die-cast, to accommodate 2 function modules. Suitable for vertical or horizontal mounting. With quick-release screws for flush-mount housing and Siedle Vario key.
 Dimensions (mm) W x H x D:
 99.5 x 199.5 x 17

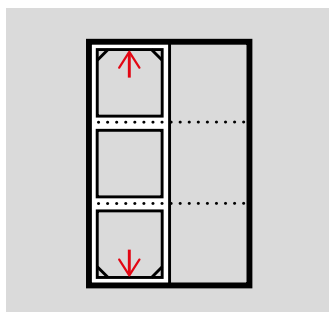


MR 611-3/1-0
 Mounting frame made of zinc die-cast, to accommodate 3 function modules. Suitable for vertical or horizontal mounting. With quick-release screws for flush-mount housing and Siedle Vario key.
 Dimensions (mm) W x H x D:
 99.5 x 299.5 x 17



MR 611-4/1-0
 Mounting frame made of zinc die-cast, to accommodate 4 function modules. Suitable for vertical or horizontal mounting. With quick-release screws for flush-mount housing and Siedle Vario key.
 Dimensions (mm) W x H x D:
 99.5 x 399.5 x 17

Accessories



Rule
 The mounting frame, info sign module and lights must always be fastened on two opposite sides of the combination frame.



ZSB 611-0
 Formwork wall fastener accessory for mounting flush-mount housing GU 611-... in form work walls, made of styrofoam. The ZSB 611-... reinforces the GU 611-... during form work wall mounting and ensures that no deformation of the flush-mount housing takes place during compaction of the concrete.
 Dimensions (mm) W x H x D:
 96 x 96 x 48

Siedle Vario
 Flush-mounted door stations
 Flush-mount housing

System components



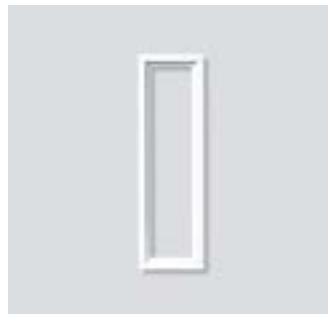
KR 611-1/1-0
 Combination frames made of extruded aluminium sheath, powder-coated/painted, to surround the function modules and cover the plaster groove.
 A surrounding seal prevents the penetration of water.
 Dimensions (mm) W x H x D:
 131 x 163 x 15



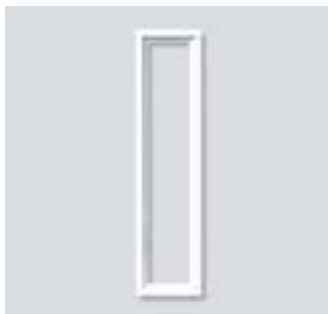
KR 611-2/1-0
 Combination frame made of polycarbonate with a paintwork finish, to surround the function modules and cover the plaster groove.
 A surrounding seal prevents the penetration of water.
 Dimensions (mm) W x H x D:
 131 x 231 x 15



KR 611-3/1-0
 Combination frames made of extruded aluminium sheath, powder-coated/painted, to surround the function modules and cover the plaster groove.
 A surrounding seal prevents the penetration of water.
 Dimensions (mm) W x H x D:
 131 x 331 x 15



KR 611-4/1-0
 Combination frames made of extruded aluminium sheath, powder-coated/painted, to surround the function modules and cover the plaster groove.
 A surrounding seal prevents the penetration of water.
 Dimensions (mm) W x H x D:
 131 x 431 x 15



KR 611-5/1-0
 Combination frames made of extruded aluminium sheath, powder-coated/painted, to surround the function modules and cover the plaster groove.
 A surrounding seal prevents the penetration of water.
 Dimensions (mm) W x H x D:
 131 x 531 x 38



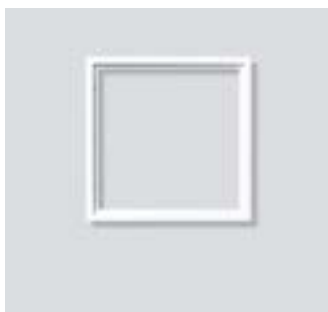
KR 611-2/2-0
 Combination frames made of extruded aluminium sheath, powder-coated/painted, to surround the function modules and cover the plaster groove.
 A surrounding seal prevents the penetration of water.
 Dimensions (mm) W x H x D:
 231 x 231 x 15



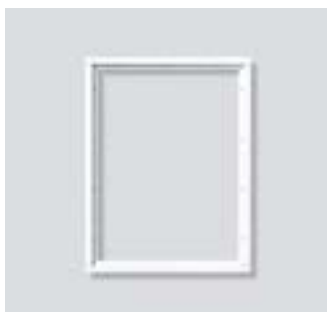
KR 611-3/2-0
 Combination frames made of extruded aluminium sheath, powder-coated/painted, to surround the function modules and cover the plaster groove.
 A surrounding seal prevents the penetration of water.
 Dimensions (mm) W x H x D:
 231 x 331 x 15



KR 611-4/2-0
 Combination frames made of extruded aluminium sheath, powder-coated/painted, to surround the function modules and cover the plaster groove.
 A surrounding seal prevents the penetration of water.
 Dimensions (mm) W x H x D:
 231 x 431 x 15



KR 611-3/3-0
 Combination frames made of extruded aluminium sheath, powder-coated/painted, to surround the function modules and cover the plaster groove.
 A surrounding seal prevents the penetration of water.
 Dimensions (mm) W x H x D:
 331 x 331 x 15



KR 611-4/3-0
 Combination frames made of extruded aluminium sheath, powder-coated/painted, to surround the function modules and cover the plaster groove.
 A surrounding seal prevents the penetration of water.
 Dimensions (mm) W x H x D:
 331 x 431 x 38

Mounting solution for cavity walls

Product description



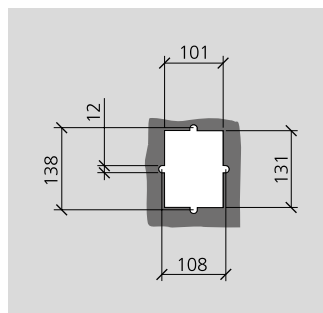
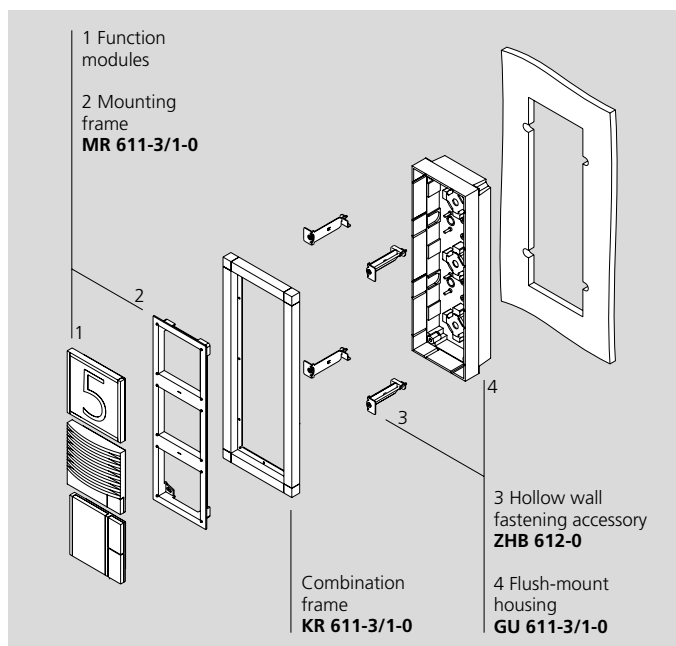
The Siedle Vario mounting accessories enable Vario door stations to be installed as a complete solution including combination frame with a cohesive appearance. This eliminates the need for complex cutting out of individual modular slots, the use of individual modules and improvised background installations. The mounting accessories also permit several flush-mount housings to be mounted in a row, thus, with the exception of letterbox applications, all Vario modules including info sign modules and LED surface area lights can be combined.

Use in cavity walls and facade coverings.

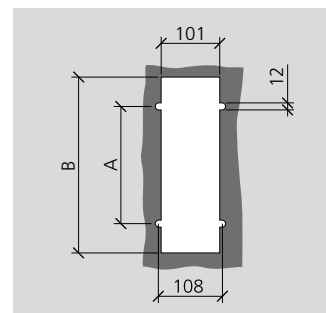
Please note:

The relevant mounting frames, combination frames and flush-mount housings see page 137

System structure



Cut-out dimension for GU 611-1/1-0



Cut-out dimension for	A	B
GU 611-2/1-0	100	201
GU 611-3/1-0	200	301
GU 611-4/1-0	300	401

All dimensions in mm

System components



ZHB 612-0

Hollow wall mounting accessory for fastening the flush-mount housing in hollow walls. For 1 single flush-mount housing GU 611-..., 1 ZHB 612-... is required. For hollow wall fastening of several flush-mount housings mounted in a row in existing systems, additional ZHB 612-... units are required depending on circumstances on site and the type of in a row mounting required. Admissible wall thickness of the hollow wall 3 to 50 mm
Scope of supply: 4 retaining brackets and 4 screws

Mounting solution for panel
Product description

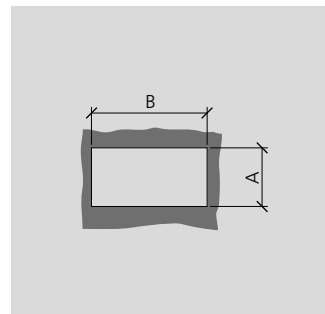
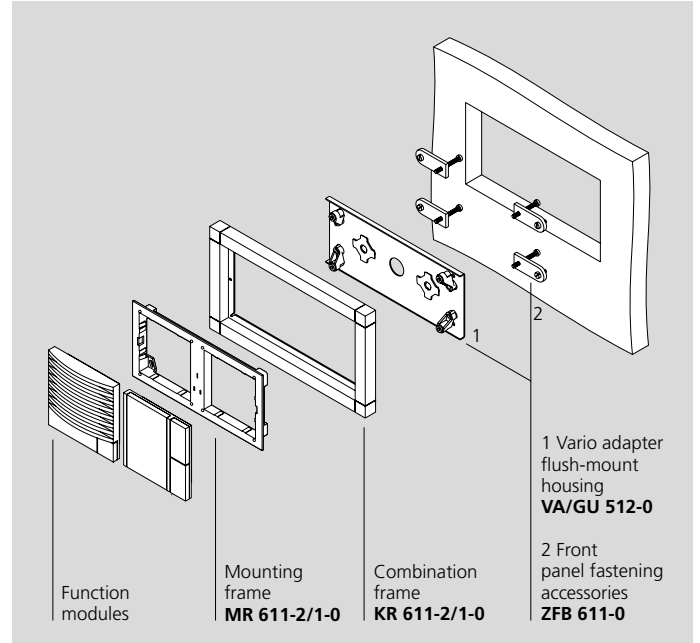


The Siedle Vario mounting accessories enable Vario door stations to be installed as a complete solution including combination frame with a cohesive appearance. This eliminates the need for complex cutting out of individual modular slots, the use of individual modules and improvised background installations. The mounting accessories also permit several adapter plates to be mounted in a row, thus, with the exception of letterbox applications, all Vario modules including info sign modules and LED surface area lights can be combined.

Use in 3–30 mm panels, which can be accessed from the rear.

Please note:
The relevant mounting frames and combination frames see page 137

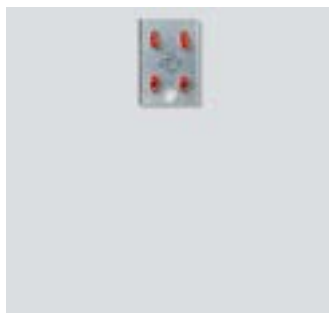
System structure



Cut-out dimension for	A	B
VA/GU 511-0	86	122
VA/GU 512-0	86	212
VA/GU 513-0	86	306
VA/GU 514-0	86	394
VA/GU 524-0	186	215

All dimensions in mm

System components

**VA/GU 511-0**

Vario adapter for GU 511-0 flush-mount housing or as a mounting solution in panels with ZFB 611-0.

Adapter plate for accommodating a MR 611-1/1-0 mounting frame and KR 611-1/1-0 combination frame. Hot-dip galvanized sheet steel with fastening elements for easy mounting.

Dimensions (mm) W x H x D:
84 x 120 x 30

**VA/GU 512-0**

Vario adapter for GU 512-0 flush-mount housing or as a mounting solution in panels with ZFB 611-0.

Adapter plate for accommodating a MR 611-2/1-0 mounting frame and KR 611-2/1-0 combination frame. Hot-dip galvanized sheet steel with fastening elements for easy mounting.

Dimensions (mm) W x H x D:
84 x 210 x 30

**VA/GU 513-0**

Vario adapter for GU 513-0 flush-mount housing or as a mounting solution in panels with ZFB 611-0.

Adapter plate for accommodating a MR 611-3/1-0 mounting frame and KR 611-3/1-0 combination frame. Hot-dip galvanized sheet steel with fastening elements for easy mounting.

Dimensions (mm) W x H x D:
84 x 304 x 30

**VA/GU 514-0**

Vario adapter for GU 514-0 flush-mount housing or as a mounting solution in panels with ZFB 611-0.

Adapter plate for accommodating a MR 611-4/1-0 mounting frame and KR 611-4/1-0 combination frame. Hot-dip galvanized sheet steel with fastening elements for easy mounting.

Dimensions (mm) W x H x D:
84 x 392 x 30

**VA/GU 524-0**

Vario adapter for GU 524-0 flush-mount housing or as a mounting solution in panels with ZFB 611-0.

Adapter plate for accommodating two MR 611-2/1-0 mounting frames and KR 611-2/2-0 combination frames. Hot-dip galvanized sheet steel with fastening elements for easy mounting.

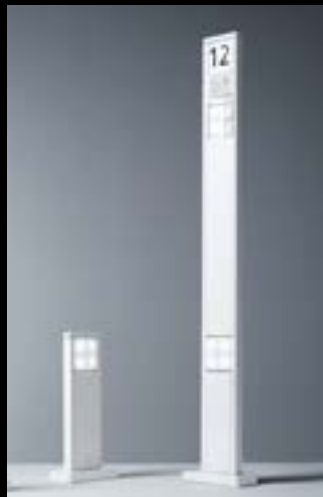
Dimensions (mm) W x H x D:
178 x 213 x 30

**ZFB 611-0**

Front panel fastening accessory for mounting a Vario door station in on-site front panels/door side elements.

Admissible wall thickness from 3 to 30 mm.

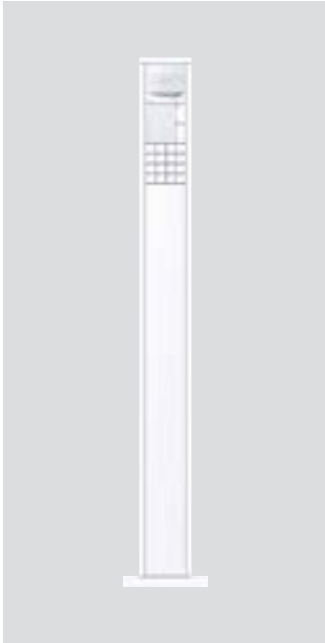
Set contains: 4 metal brackets and 8 fastening screws for combination of VA/GU 5... in conjunction with mounting frame and relevant combination frame.



Siedle Vario
Free-standing door stations

Communication pedestals (KSF/KS)	
Product description	144
System components	146
Non-standard version (KSFB)	
	148
Light pedestals (LS)	
Product description	149
System components	149

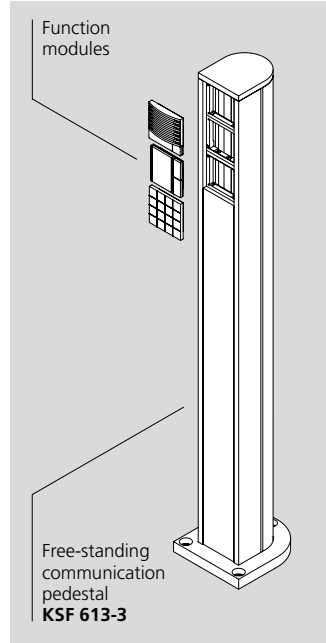
Product description



The free-standing communication pedestal places everything in just the right position. The elegant design allows for flexible installation, also in front of walls or in corners. And as well as providing aesthetic appeal, the pedestal has a whole range of functional benefits to offer: It leaves the building façade and entryway area untouched and supplies all the necessary functions at just the right height: The video camera is on eye level, the intercom unit below it. The call buttons and fingerprint reader are ideally placed at hand height, and LED light modules located at the base of the pedestal throw light onto entrance paths and the surrounding area.

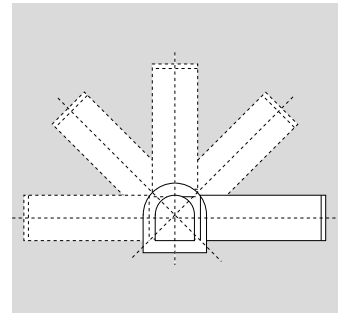
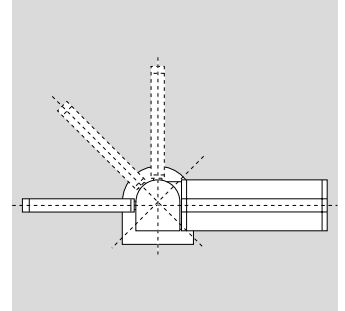
Communication pedestals are always delivered as complete versions with the following items:

- Communication pedestal with base flange, inclusive of mounting materials such as heavy-duty dowels and screws
- Matching panels
- Suitable no. of module adapters
- Suitable no. of module frames



KSF 61x

If the communication pedestal needs to be higher or accommodate specific function modules, in particular letterboxes or info signs, then communication pedestals KSF 61x are used.



The various planning possibilities

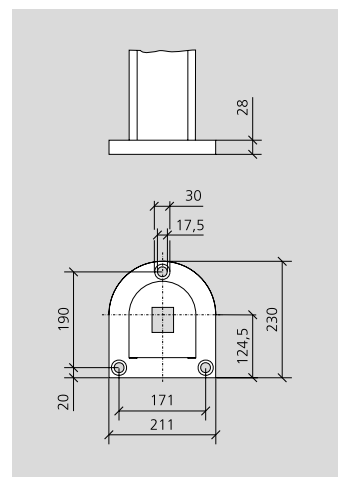
Letterboxes or info signs are positioned at 5 angles spaced 45° apart at the right height on the free-standing KSF 61x pedestal. This possibility of creating three-dimensional configurations allows you to design your own orientation or signage system.

Please note:

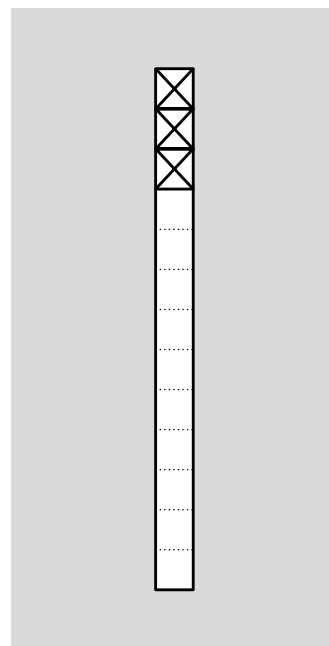
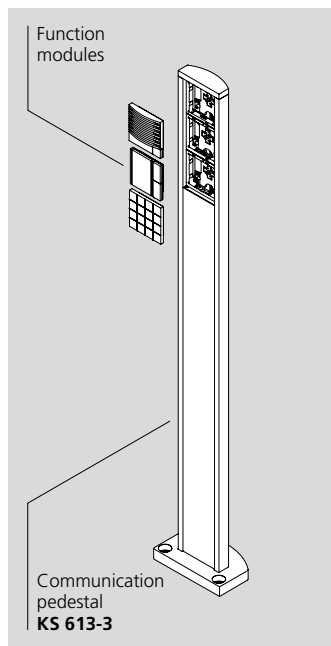
We regret that return deliveries of custom-produced items and products of series KS 61x and KSF 61x cannot be accepted.



The communication pedestals KSF 61x are fitted with a base flange for screw fastening.



Dimensions in mm
 Cut-out for cable entry: 50 x 60 mm
 Profile KSF 61x: 131 x 150 mm



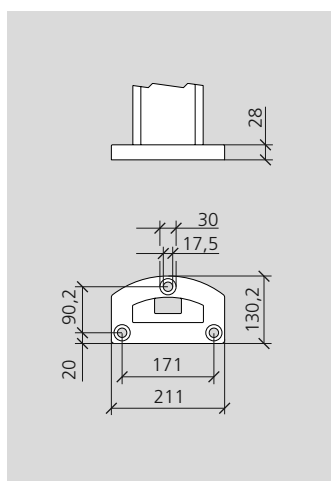
KS 61x
 The communication pedestals KS 61x are available up to a height of 1.6 metres. With their profile depth of only 5 centimetres and smooth back wall, they create an attractive, slimline impression.

How to plan and order:
 Standard variants of the communication pedestals are depicted in the following. Communication pedestals for any optional module arrangements and in different heights are available on request.

Select the communication pedestal that is right for your application from the overview of standard variants. The crosses indicate the positions at which square function modules can be integrated. Select the required function modules, done!

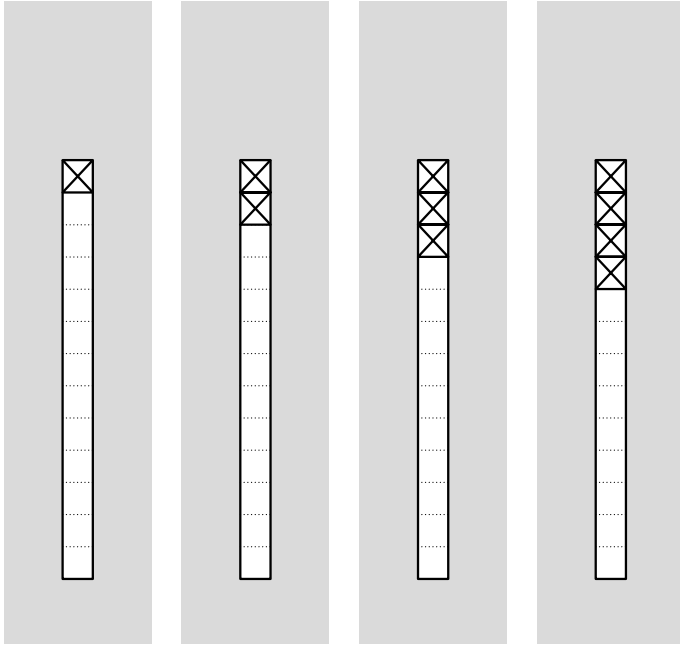


The communication pedestals KS 61x are fitted with a base flange for screw fastening.



Dimensions in mm
 Cut-out for cable entry: 50 x 30 mm
 Profile KS 61x: 131 x 50 mm

System components



KSF 613-1
 KS 613-1

KSF 613-2
 KS 613-2

KSF 613-3
 KS 613-3

KSF 613-4
 KS 613-4

KSF 613-...

Free-standing communication pedestals made of sectional extruded aluminium, powder coated/painted, with base flange. Inclusive of mounting frame to accommodate up to four functional modules.

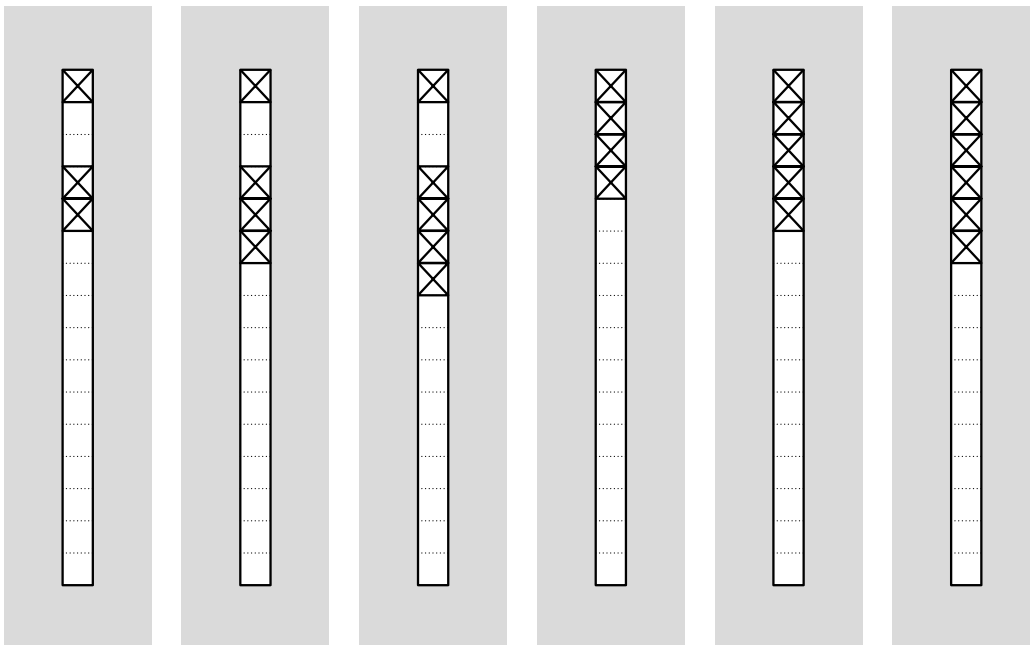
Profile dimensions (mm) W x H:
 131 x 150

Dimensions (mm) W x H x D:
 211 x 1344 x 230

KS 613-...

Communication pedestals with 1.3 m length made of extruded aluminium sheath, powder-coated/painted, with floor flange. Inclusive of mounting frame to accommodate one or more functional modules.

Profile dimensions (mm) W x H: 131 x 50
 Dimensions (mm) W x H x D:
 211 x 1344 x 130



KSF 616-1/2
 KS 616-1/2

KSF 616-1/3
 KS 616-1/3

KSF 616-1/4
 KS 616-1/4

KSF 616-4
 KS 616-4

KSF 616-5
 KS 616-5

KSF 616-6
 KS 616-6

KSF 616-...

Free-standing communication pedestals made of sectional extruded aluminium, powder coated/painted, with base flange. Inclusive of mounting frame to accommodate up to six functional modules.

Profile dimensions (mm) W x H:
 131 x 150

Dimensions (mm) W x H x D:
 211 x 1644 x 230

KS 616-...

Communication pedestals with 1.6 m length made of extruded aluminium sheath, powder-coated/painted, with floor flange.

Inclusive of mounting frame to accommodate functional modules.
 Profile dimensions (mm) W x H: 131 x 50
 Dimensions (mm) W x H x D:
 211 x 1644 x 130

Please note:

We regret that return deliveries of custom-produced items and products of series KS 61x and KSF 61x cannot be accepted.

Accessories

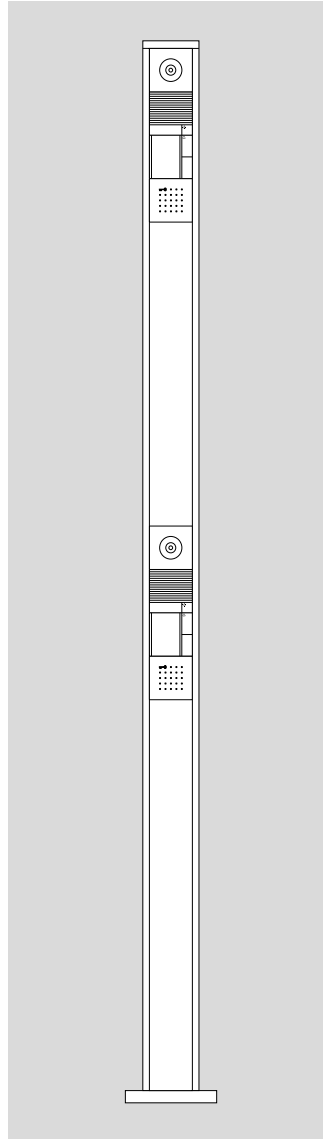


ZE/KS/KSF 611-0

Ground element accessory for concreting into the ground made of stable, hot-dip galvanized sectional steel, ground flange with M10 thread for fixture of communication pedestals KSF 613/616-..., KS 613/616-... or LS 604/608-...

Depending on the type of pedestal, the ground element accessory can be turned by 180°.

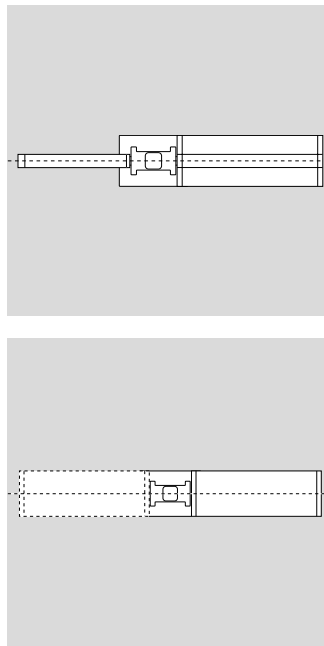
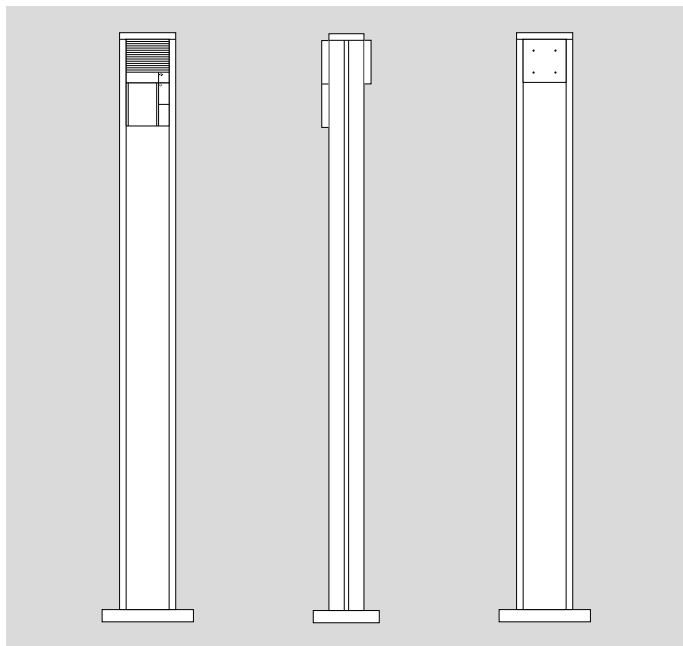
Dimensions (mm) W x H x D:
191 x 505 x 210



Please get in touch with us to discuss the many varied possibilities available.

See page 320

Non-standard version (KSFB)



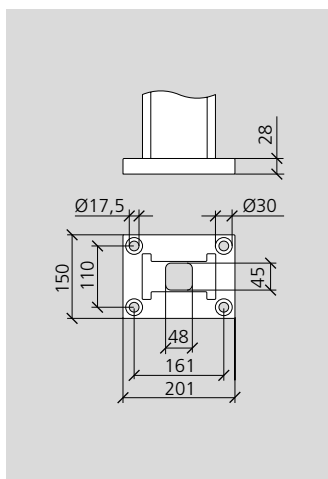
On request, the communication pedestal accommodate function modules on both sides and so open up further application scope.

Let our technical customer service department advise you. See page 320

Application example for communication pedestals fitted with units on both sides: The front performs a communication function, in this case the intercom unit and call buttons. At the back, an LED module throws light onto the house wall, creating a pleasant indirect lighting effect in the entrance area.

The various planning possibilities
Letterboxes or info signs are positioned at the right height on the free-standing KSFB pedestal. In this way, you can design your own orientation or signage system.

Please note:
We regret that return deliveries of custom-produced items and products of series KS 61x and KSF 61x cannot be accepted.



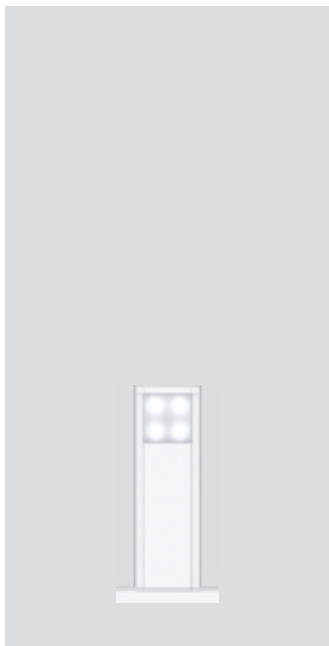
Dimensions in mm
Cut-out for cable entry: 45 x 48 mm
Profile KSFB: 131 x 80 mm

Light pedestals (LS)

Product description

Fitted with LED light modules, the communication pedestal becomes a light pedestal to illuminate paths, driveways, entrances or terraces. Combined with a Vario communication system at the door, a harmonious overall installation is created throughout the whole of the entrance area.

System components



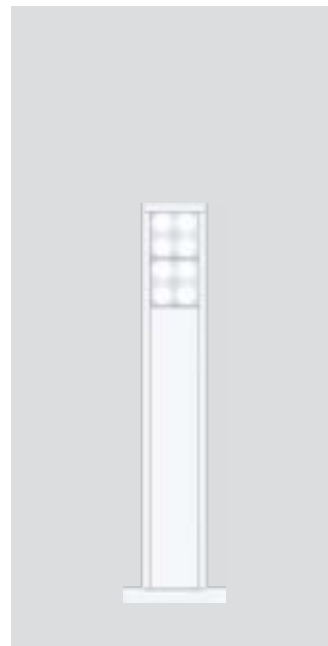
LS 604-1

Light pedestal in extruded aluminium sheath, powder-coated/paintwork finish with ground flange, including mounting frame and one enclosed LEDM 600-... unit.
 Operating current: max. 150 mA
 Operating voltage: 20–30 V DC
 Protection system: IP 54
 Ambient temperature: –20 °C to +55 °C
 Profile dimensions (mm) W x H: 131 x 50
 Dimensions (mm) W x H x D:
 211 x 444 x 130



LS 608-1

Light pedestal in extruded aluminium sheath, powder-coated/paintwork finish with ground flange, including mounting frame and one enclosed LEDM 600-... unit.
 Operating current: max. 150 mA
 Operating voltage: 20–30 V DC
 Protection system: IP 54
 Ambient temperature: –20 °C to +55 °C
 Profile dimensions (mm) W x H: 131 x 50
 Dimensions (mm) W x H x D:
 211 x 844 x 130



LS 608-2

Light pedestal in extruded aluminium sheath, powder-coated/paintwork finish with ground flange, including mounting frame and two enclosed LEDM 600-... units.
 Operating current: max. 300 mA
 Operating voltage: 20–30 V DC
 Protection system: IP 54
 Ambient temperature: –20 °C to +55 °C
 Profile dimensions (mm) W x H: 131 x 50
 Dimensions (mm) W x H x D:
 211 x 844 x 130

Accessories



LNG 600-0

Power line rectifier in the switch panel housing for the central supply of LED modules and bus video panels.
 Operating voltage:
 100–240 V AC, +/-10 %, 50/60 Hz
 Operating current: 0.3 A to 0.7 A
 Output voltage: 30 V DC
 Output current: 1.1 A DC
 Ambient temperature: 0 °C to +40 °C
 Protection system: IP 20
 Horizontal pitch (HP): 6
 Dimensions (mm) W x H x D:
 107 x 89 x 60



ZES/LS 611-0

Ground spike accessory made of 2 mm thick stainless steel V2A for light pedestal LS 604-1 for securing in the soil without a foundation. Including mounting plate and fastening material for fixture of the LS 604-1.
 Dimensions (mm) W x H x D:
 197 x 220 x 115



ZE/KS/KSF 611-0

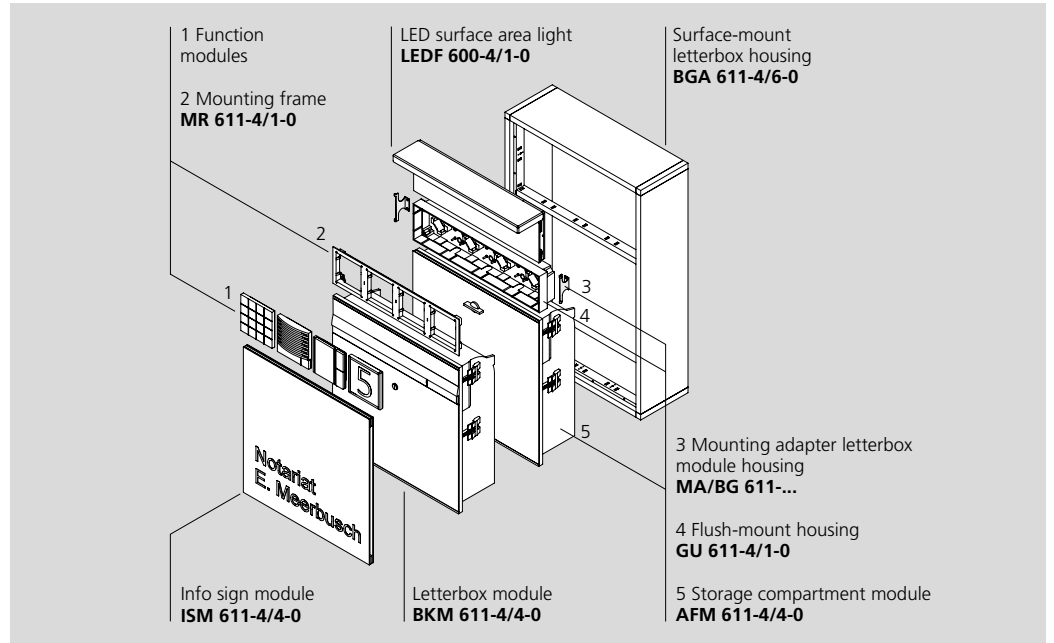
Ground element accessory for concreting into the ground made of stable, hot-dip galvanized sectional steel, ground flange with M10 thread for fixture of communication pedestals KSF 613/616-..., KS 613/616-... or LS 604/608-...
 Depending on the type of pedestal, the ground element accessory can be turned by 180°.
 Dimensions (mm) W x H x D:
 191 x 505 x 210



Siedle Vario
Surface-mounted letterboxes

Letterboxes, front removal	
Product description	152
System components	153
Order examples	154
Space-saving letterboxes for front removal	
Product description	156
System components	157
Non-standard solutions	157
Order examples	158

Product description



Surface-mounting is the preferred option where walls have to remain intact and a free-standing solution is not possible. In times of energy-efficient buildings, surface wall mounting is not only a practical option: It avoids the need to break into and compromise the efficiency of facade insulation, preventing thermal bridges.

Housing units BGA 611-... are suitable for almost any optional combination of BKM 611-4/4-... and AFM 611-4/4-... in conjunction with all other Siedle Vario function modules, info sign modules and LED lights.

Scope of supply

Wall surface-mount housing units BGA 611-... are fitted at the back with the necessary boreholes for wall suspension and alternative cable inlets. To protect unrequired cable inlet holes from the ingress of water, a corresponding number of seals is provided.



- 1** A sturdy cylinder lock keeps the mail securely stored.
- 2** Perfect design down to the last detail. The rotary knob on the storage component.
- 3** A light pressure is enough to release the nameplate. Perfection: Rubber plugs seal the nameplate reliably against the ingress of moisture.
- 4** The flap has an automatic arrest mechanism and opens extra-wide for convenient removal. This makes it a pleasure to fetch the mail.

5 The three-point lock ensures a high level of security for the storage of mail. The drainage channels in the floor of the box provide reliable protection against moisture.

6 The storage compartment offers a roomy depository for private households and companies alike.

7 Even bulky C4 envelopes easily fit through the 351 mm wide opening.

System components

**BGA 611-4/5-0**

Letterbox module housing to accommodate 1 letterbox module or storage compartment modules. 4 module slots to accommodate info sign modules, surface area lights and function modules in the upper section.

**AFM 611-4/4-0**

Delivery compartment module with removal door at the front to be used for purposes such as a compartment for deliveries by baker, milkman etc. Removal door made of plastic-coated or painted aluminium, torsion-resistant, hard-wearing, concealed hinges made of plastic. With top sealing lip and convenient turn-lock fastener. The opening door is automatically stopped at a predetermined angle. Module made of foam plastic, with rack. The square shape permits mounting in letterbox housings BGU/BGA 611-... with fastening facility at the combination frame. Mounting depth (mm): 117 Height of structure (mm): 18 Dimensions (mm) W x H x D: 399 x 399 x 135

**BKM 611-4/4-0**

Letterbox module with pass-through flap, front removal door and letterbox. Pass-through and anti-pilfer device to DIN EN 13724. Pass-through flap and removal door in plastic-coated or painted aluminium, torsion-resistant, hard-wearing, concealed plastic hinges. The nameplate is located under the letterbox flap. Convenient post removal door which brakes automatically at a pre-determined angle, safety lock with 2 keys. Permanently integrated in the module is a large-format letterbox made of plastic, bottom-shaped as post support rack. The square design permits installation of letterbox module housings BGU/BGA 611-... Fitted for attachment to combination frame. Pass-through size (mm) W x H: 351 x 32.5 Nameplate size (mm) W x H: 85 x 16 Mounting depth (mm): 117 Height of structure (mm): 6 Dimensions (mm) W x H x D: 399 x 399 x 123

Specifications

Designation	Dimensions (mm) W x H x D
BGA 611-4/4-0	431 x 431 x 150
BGA 611-4/5-0	431 x 531 x 150
BGA 611-4/6-0	431 x 631 x 150
BGA 611-4/9-0	431 x 931 x 150
BGA 611-4/10-0	431 x 1031 x 150

**GU 611-4/1-0**

Flush-mount housing in dimensionally stable plastic, for fixture of the mounting frame MR 611-4/1-... using quick-release screw joints. With prepared cable inlets, cable clamps and quick-release fixtures for the terminal blocks. Mounting possible with hollow wall mounting accessory ZHB 612-... The housing units can be mounted one above the other and side by side using the provided accessories or are required for mounting square function modules in the BGA 611-..., BG/SR 611-... For each GU 611-4/1-..., 1 MA/BG 611-... is required. Dimensions (mm) W x H x D: 100 x 400 x 50

**MR 611-4/1-0**

Mounting frame made of zinc die-cast, to accommodate 4 function modules. Suitable for vertical or horizontal mounting. With quick-release screws for flush-mount housing and Siedle Vario key. Dimensions (mm) W x H x D: 99.5 x 399.5 x 17

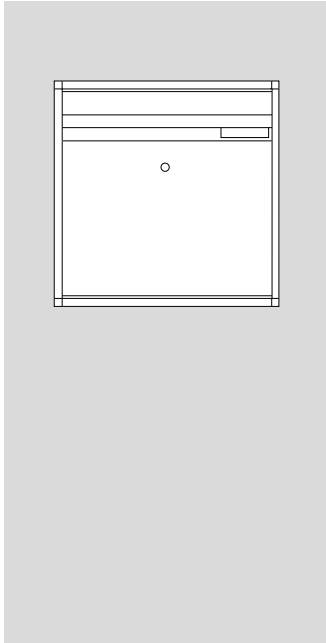
**MA/BG 611-0**

A mounting adapter/letterbox module housing for horizontal and vertical fixture of flush-mount housing GU 611-4/1-... in housing BGA 611-.../BG/SR 611-... is required for each GU 611-4/1-... Comprising 1 pair of mounting brackets and screws.

**MA/LEDF 600-0**

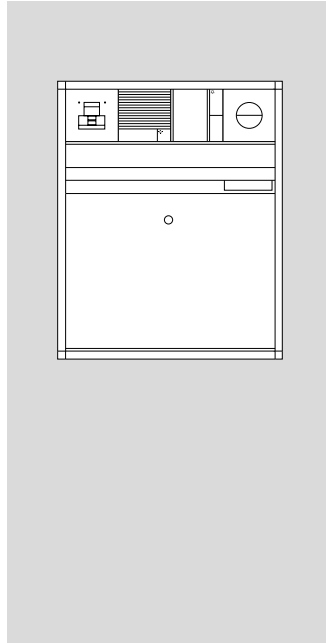
Mounting adapter LED surface area light to hold terminal blocks when an LEDF 600-... is mounted in housing BGA 611-..., BG/KSF 611-..., BG/SR 611-... or in the info sign housing of a KSF 61x. Fixture using the supplied adhesive tape. Dimensions (mm) W x H x D: 56 x 56 x 5.5

Order examples



System-independent

- 1 BGA 611-4/4-0
- 1 BKM 611-4/4-0

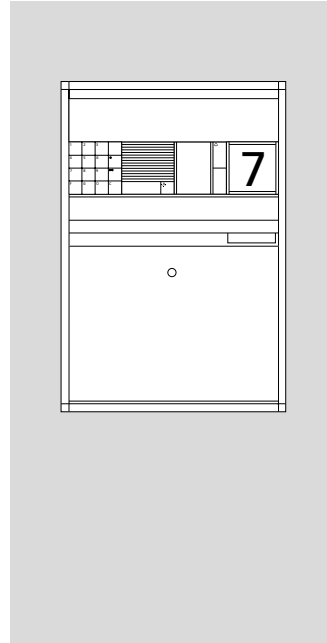


In-Home bus

- 1 BGA 611-4/5-0
- 1 BKM 611-4/4-0
- 1 FPM 611-02
- 1 BTLM 650-04
- 1 BTM 650-01
- 1 BMM 611-0
- 1 GU 611-4/1-0
- 1 MR 611-4/1-0
- 1 MA/BG 611-0

1+n technology

- 1 BGA 611-4/5-0
- 1 BKM 611-4/4-0
- 1 FPM 611-02
- 1 TLM 612-02
- 1 TM 612-1
- 1 BMM 611-0
- 1 GU 611-4/1-0
- 1 MR 611-4/1-0
- 1 MA/BG 611-0

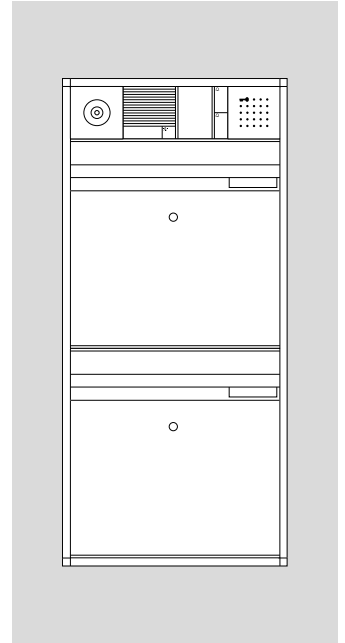


In-Home bus

- 1 BGA 611-4/6-0
- 1 BKM 611-4/4-0
- 1 LEDF 600-4/1-0
- 1 COM 611-02
- 1 BTLM 650-04
- 1 BTM 650-01
- 1 IM 612-0
- 1 GU 611-4/1-0
- 1 MR 611-4/1-0
- 1 MA/BG 611-0
- 1 MA/LEDF 600-0

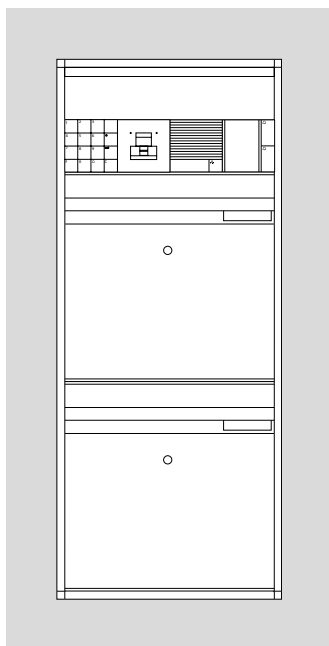
1+n technology

- 1 BGA 611-4/6-0
- 1 BKM 611-4/4-0
- 1 LEDF 600-4/1-0
- 1 COM 611-02
- 1 TLM 612-02
- 1 TM 612-1
- 1 IM 612-0
- 1 GU 611-4/1-0
- 1 MR 611-4/1-0
- 1 MA/BG 611-0
- 1 MA/LEDF 600-0



In-Home bus

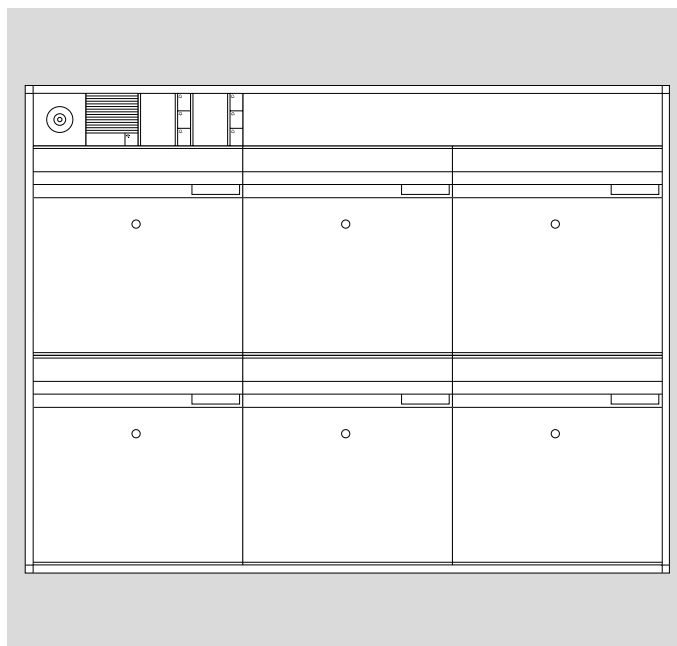
- 1 BGA 611-4/9-0
- 2 BKM 611-4/4-0
- 1 BCM 653-02
- 1 BTLM 650-04
- 1 BTM 650-02
- 1 ELM 600-0
- 2 EKC 601-0 (3 pcs.)
- 1 GU 611-4/1-0
- 1 MR 611-4/1-0
- 1 MA/BG 611-0

**In-Home bus**

- 1 BGA 611-4/10-0
- 2 BKM 611-4/4-0
- 1 LEDF 600-4/1-0
- 1 COM 611-02
- 1 FPM 611-02
- 1 BTLM 650-04
- 1 BTM 650-02
- 1 GU 611-4/1-0
- 1 MR 611-4/1-0
- 1 MA/BG 611-0
- 1 MA/LEDF 600-0

1+n technology

- 1 BGA 611-4/10-0
- 2 BKM 611-4/4-0
- 1 LEDF 600-4/1-0
- 1 COM 611-02
- 1 FPM 611-02
- 1 TLM 612-02
- 1 TM 612-2
- 1 GU 611-4/1-0
- 1 MR 611-4/1-0
- 1 MA/BG 611-0
- 1 MA/LEDF 600-0

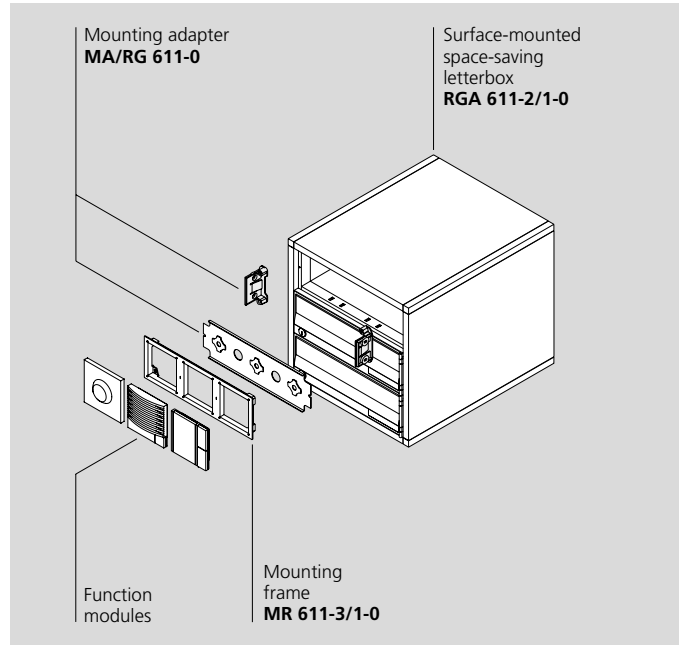


**Please get in touch with us to
discuss the many varied possibilities
available.**

See page 320

Siedle Vario
Surface-mounted letterboxes
Space-saving letterboxes for front removal

Product description



Scope of supply

Wall surface-mount housing units RGA 611-... are prepared at the back for wall mounting and also with alternative cable inlets. To protect unrequired cable inlet holes from the ingress of water, a corresponding number of seals are provided.

Please note:

Alongside the standard height of 100 mm, space-saving letterboxes are also available if required in the heights 200 and 300 mm.

RGA 611-... housings are ideally suited to accommodate spacious, convenient letterboxes in a minimum of space. Despite their compact design, the letterboxes are in compliance with postal standard DIN EN 13724 and offer sufficient space for large DIN B4 envelopes, newspapers, catalogues and other bulky post items.

Depending on requirements, combination is possible with wide-ranging different info sign modules ISM, LED surface area lights LEDF and square Vario function modules. The letterboxes are supplied as standard completely with letterflap, anti-pilfer device, nameplate 16 x 78 mm, protection of stored mail against the ingress of moisture, are right-hanging and with a lock permanently mounted in the housing.



1 Even bulky C4 envelopes easily fit through the 251 mm wide opening.



2 The removal safeguard permits mail to be slipped into the box but provides optimum protection against unauthorized access.



3 The drainage channels in the floor of the box provide reliable protection against moisture.

4 Done in a flash: using just a ball point pen or a screwdriver, the cover can be removed to change the nameplate.

System components



RGA 611-2/1-0

Surface-mount housing with 2 integrated space-saving letterboxes with front removal. Ideally suited to accommodate several spacious letterboxes in a restricted area. 1 additional compartment to accommodate 3 function modules such as a door loudspeaker module.



MR 611-3/1-0

Mounting frame made of zinc die-cast, to accommodate 3 function modules. Suitable for vertical or horizontal mounting. With quick-release screws for flush-mount housing and Siedle Vario key. Dimensions (mm) W x H x D: 99.5 x 299.5 x 17



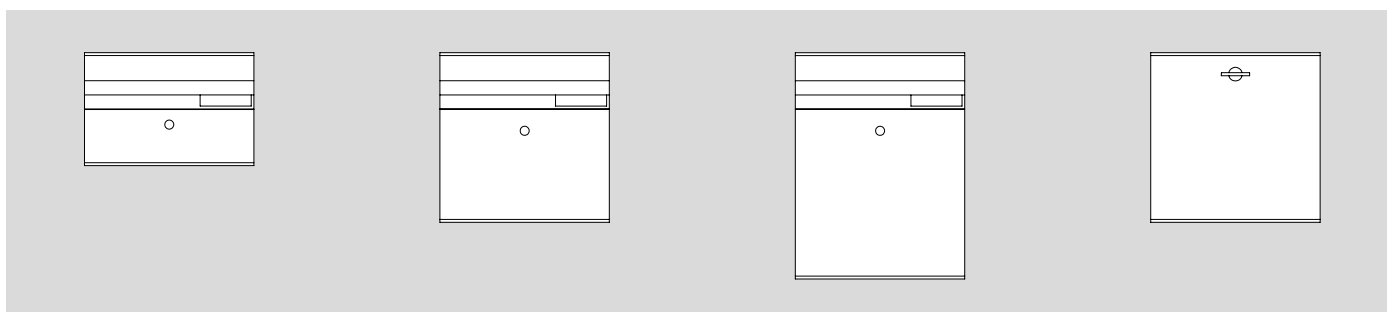
MA/RG 611-0

A mounting adapter/space-saving housing for fixture of module terminal blocks and mounting frame MR 611-3/1-... in housing RGA 611-..., RG/SR 611-... and RG/KSF 611-... is required for each line of modules. Composed of 1 pair of mounting brackets, screws and fixing plate.

Specifications

Designation	Dimensions (mm) W x H x D
RGA 611-2/1-0	331 x 331 x 400
RGA 611-2/2-0	331 x 431 x 400
RGA 611-3/1-0	331 x 431 x 400
RGA 611-4/0-0	331 x 431 x 400
RGA 611-4/1-0	331 x 531 x 400
RGA 611-6/2-0	631 x 431 x 400
RGA 611-8/2-0	631 x 531 x 400
RGA 611-10/2-0	631 x 631 x 400

Non-standard solutions



Double height space-saving letterboxes

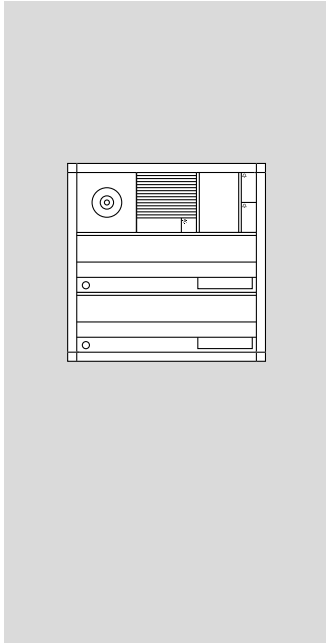
Triple height space-saving letterboxes

Quadruple height space-saving letterboxes

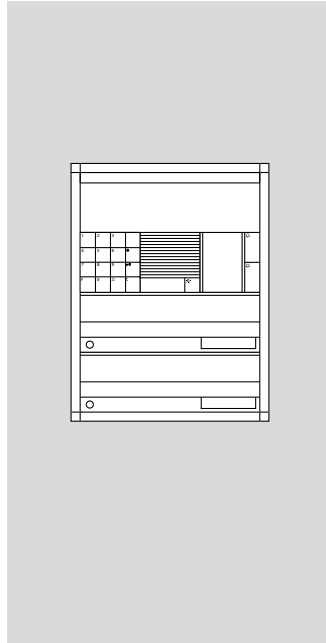
Storage compartment with removal from the front for systems with space-saving letterboxes

Siedle Vario
 Surface-mounted letterboxes
 Space-saving letterboxes for front removal

Order examples

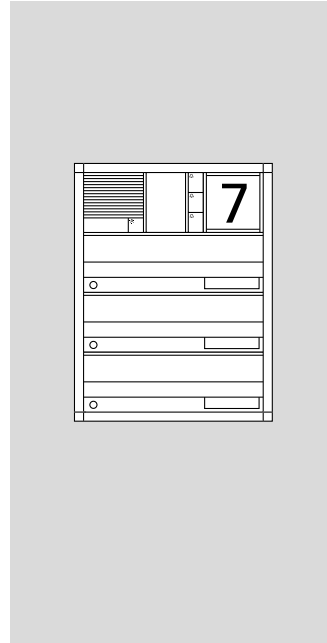


In-Home bus
 1 RGA 611-2/1-0
 1 BCM 653-02
 1 BTLM 650-04
 1 BTM 650-02
 1 MR 611-3/1-0
 1 MA/RG 611-0



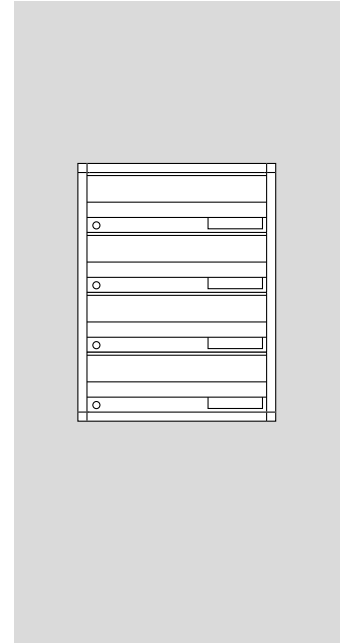
In-Home bus
 1 RGA 611-2/2-0
 1 LEDF 600-3/1-0
 1 COM 611-02
 1 BTLM 650-04
 1 BTM 650-02
 1 MR 611-3/1-0
 2 MA/RG 611-0

1+n technology
 1 RGA 611-2/2-0
 1 LEDF 600-3/1-0
 1 COM 611-02
 1 TLM 612-02
 1 TM 612-2
 1 MR 611-3/1-0
 2 MA/RG 611-0

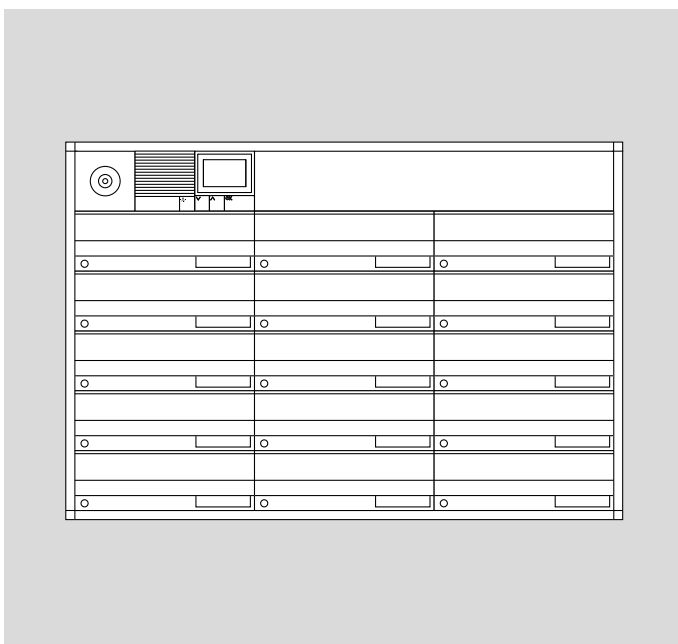


In-Home bus
 1 RGA 611-3/1-0
 1 BTLM 650-04
 1 BTM 650-03
 1 IM 612-0
 1 MR 611-3/1-0
 1 MA/RG 611-0

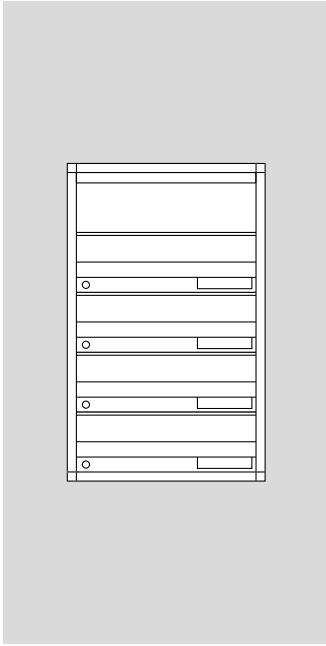
1+n technology
 1 RGA 611-3/1-0
 1 TLM 612-02
 1 TM 612-3
 1 IM 612-0
 1 MR 611-3/1-0
 1 MA/RG 611-0



System-independent
 1 RGA 611-4/0-0

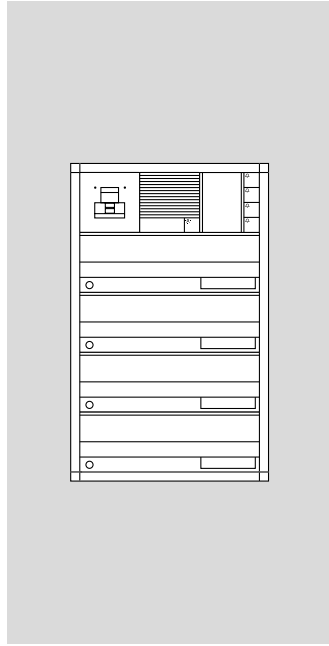


Please get in touch with us to
 discuss the many varied possibilities
 available.
 See page 320



System-independent

- 1 RGA 611-4/1-0
- 1 LEDF 600-3/1-0
- 1 MA/RG 611-0

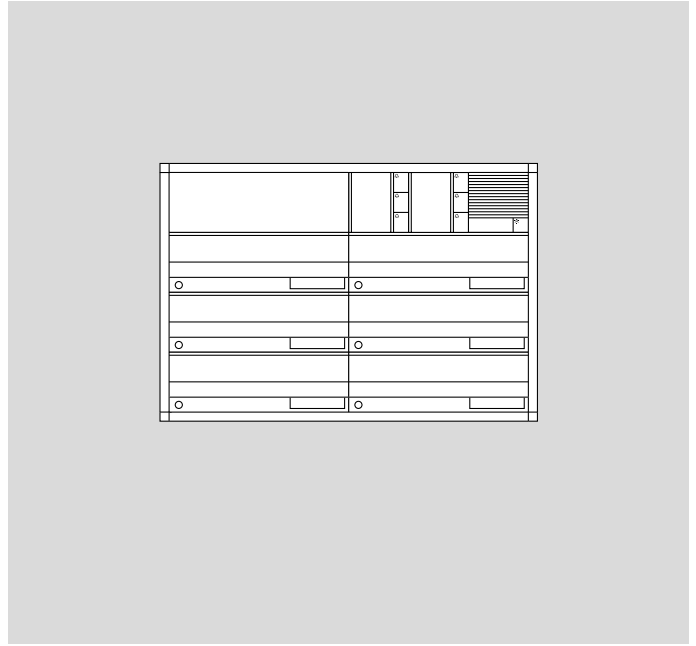


In-Home bus

- 1 RGA 611-4/1-0
- 1 FPM 611-02
- 1 BTLM 650-04
- 1 BTM 650-04
- 1 MR 611-3/1-0
- 1 MA/RG 611-0

1+n technology

- 1 RGA 611-4/1-0
- 1 FPM 611-02
- 1 TLM 612-02
- 1 TM 612-4
- 1 MR 611-3/1-0
- 1 MA/RG 611-0



In-Home bus

- 1 RGA 611-6/2-0
- 1 ISM 611-3/1-0
- 2 BTM 650-03
- 1 BTLM 650-04
- 1 MR 611-3/1-0
- 1 MA/RG 611-0

1+n technology

- 1 RGA 611-6/2-0
- 1 ISM 611-3/1-0
- 2 TM 612-3
- 1 TLM 612-02
- 1 MR 611-3/1-0
- 1 MA/RG 611-0



Siedle Vario
Flush-mounted letterboxes

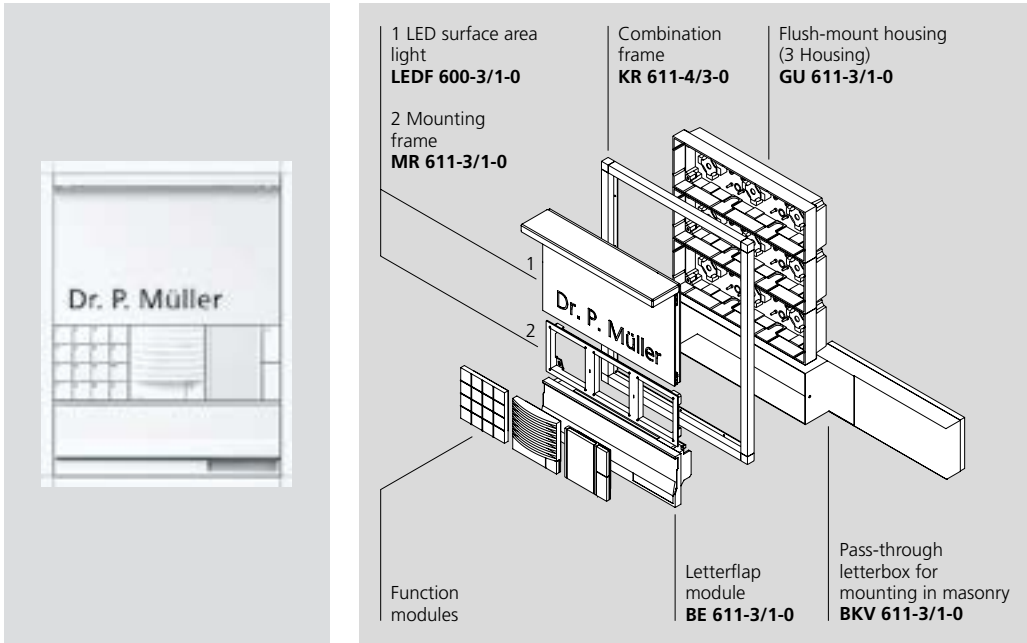
Pass-through letterboxes

Product description	162
Pass-through letterboxes 300 mm wide	163
Pass-through letterboxes 400 mm wide	165
Non-standard solutions	167
Order examples	168

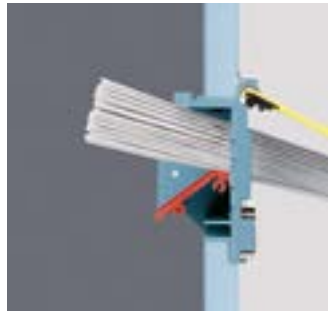
Letterboxes, front removal

Product description	170
System components	171
Order examples	172

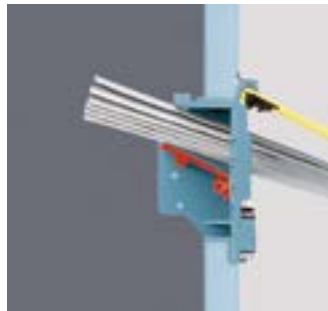
Product description



A letterbox requires a certain volume but should not dominate the entrance area. Ideally, these requirements can both be met by a letterbox with a low-profile flush-mount housing. The most compact solution is the pass-through letterbox. Here, the mail drops into a shaft and is removed from inside the building. If there are no plans to break through the wall, a letterbox for front removal provides an alternative. See page 170



Even bulky C4 envelopes easily fit through the 351 mm wide opening.



The adjustable removal safeguard has 3 positions from above:

- Completely open
- Pilfer safeguard
- Vacation block



Plaster trim for BKV 611-...
 Plaster trim elements PB 611-... W are made of extruded aluminium sheath and are coated in white. They are used as a surround on the removal side of the BKV 611-... and form a tidy plaster edge. By use of a plaster trim element, a tidy, finished appearance is reached on the removal side of the letterbox system.



At the back of the pass-through letterbox, the inspection window indicates immediately whether it is worth opening the box.

Pass-through letterboxes 300 mm wide

System components



BKV 611-3/1-0 W

Pass-through letterbox according to DIN EN 13724 modular system, for masonry walls (dry masonry), made of hot-dip galvanized sheet steel, 0.8 mm, in inclined 45° model, extendable from 290 - 440 mm, can be combined horizontally and vertically.

Rear removal door, opening downwards, with cylinder lock, nameplate and inspection window. With connecting screws.

Colour: White

Nameplate size (mm) W x H: 70 x 21

Dimensions (mm) W x H x D:

300 x 100 x 290-440



BKV 611-3/2-0 W

Pass-through letterbox according to DIN EN 13724 modular system, for masonry walls (dry masonry), made of hot-dip galvanized sheet steel, 0.8 mm, in inclined 45° model, extendable from 290 - 440 mm, can be combined horizontally and vertically.

When arranging several BKV 611-3/2-0 units vertically, the relevant ISM 611-... must be used in order to cover the gap created at the front. The gap created below the bottom BKV 611-3/2-0 can alternatively be plastered. Rear removal door, opening downwards, with cylinder lock, nameplate and inspection window. With connecting screws.

Colour: White

Nameplate size (mm) W x H: 70 x 21

Dimensions (mm) W x H x D:

300 x 200 x 290-440



BKV 611-3/3-0 W

Pass-through letterbox according to DIN EN 13724 modular system, for masonry walls (dry masonry), made of hot-dip galvanized sheet steel, 0.8 mm, in inclined 45° model, extendable from 290 - 440 mm, can be combined horizontally and vertically.

When arranging several BKV 611-3/3-0 units vertically, the relevant ISM 611-... must be used in order to cover the gap created at the front. The gap created below the bottom BKV 611-3/3-0 can alternatively be plastered. Rear removal door, opening downwards, with cylinder lock, nameplate and inspection window. With connecting screws.

Colour: White

Nameplate size (mm) W x H: 70 x 21

Dimensions (mm) W x H x D:

300 x 300 x 290-440



BE 611-3/1-0

Letterbox flaps module made of extruded aluminium sheath, plastic-coated or painted.

The pass-through opening behind the flap can be adjusted in three stages: From the biggest possible opening of 30.5 mm to 20 mm, and if necessary the opening can be completely closed (e.g. during holiday periods). Self-closing flap, torsion-resistant, low-noise operation due to sealing lip. Pass-through and anti-pilfer device to DIN EN 13724. Can be screwed onto BKV 611-3/... or into a wall recess. Inscription field under the letterflap.

Only in conjunction with BKV 611-3/... or with user's own letter compartment. Pass-through size (mm) W x H: 251 x 36
Nameplate size (mm) W x H: 85 x 16
Dimensions (mm) W x H x D: 299 x 99 x 6



PB 611-3/1-0 W

Plaster trim suitable for 1 BKV 611-3/1-...

Colour/Material: White

Dimensions (mm) W x H x D:

331 x 131 x 38



PB 611-3/2-0 W

Plaster trim suitable for 2 BKV 611-3/1-...

units positioned one above the other or 1 BKV 611-3/2-...

Colour/Material: White

Dimensions (mm) W x H x D:

331 x 231 x 38



PB 611-3/3-0 W

Plaster trim suitable for 3 BKV 611-3/1-...

units positioned one above the other. BKV 611-4/2-... and the BKV 611-3/3-...

can also be used. The BKV 611-3/2-... replaces 2 BKV 611-3/1-... units and the BKV 611-3/3-... replaces

3 BKV 611-3/1-... units.

Colour/Material: White

Dimensions (mm) W x H x D:

331 x 331 x 38



PB 611-3/4-0 W

Plaster trim suitable for 4 BKV 611-3/1-...

units positioned one above the other. BKV 611-3/2-... and the BKV 611-3/3-...

can also be used. The BKV 611-3/2-... replaces 2 BKV 611-3/1-... units and the BKV 611-3/3-... replaces

3 BKV 611-3/1-... units.

Colour/Material: White

Dimensions (mm) W x H x D:

331 x 431 x 38

Remarks

Rain

Letterbox systems are sealed towards the front. They are protected against the effects of splash water and normal rainfall. For unprotected and exposed mounting situations with frequent exposure to driving rain (e.g. in coastal areas), take suitable construction measures when installing to achieve optimum rain protection.

Removal side in the outside area

When mounting a letterbox system with

pass-through letterbox outside, e.g. in a garden wall, a rail guard or suitable wall recess with drip edge must be provided by the client on the removal side.

Ambient moisture

Natural stone and concrete have the ability to store moisture. The protracted effect of moisture can result in damage to the housing. Direct contact with concrete, plaster or similar building materials can result in increased corrosion due to chemical reactions.

When installing for instance in garden

walls, we recommend providing additional protection against moisture into the compartments by using a suitable protective film or a coating.

Effect of pressure

Housings can be deformed by the weight of wet concrete and/or by the compaction process. Suitable support measures should therefore be provided for in the box.

Siedle Vario
 Flush-mounted letterboxes
 Pass-through letterboxes

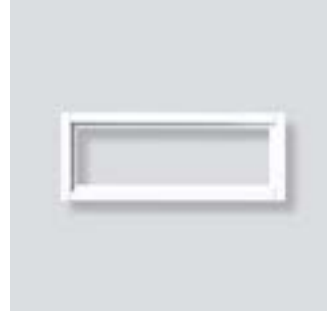
Pass-through letterboxes 300 mm wide
 System components



GU 611-3/1-0
 Flush-mount housing in dimensionally stable plastic, for fixture of the mounting frame MR 611-3/1-... using quick-release screw joints. With prepared cable inlets, cable clamps and quick-release fixtures for the combination terminals. Mounting possible with hollow wall mounting accessory ZHB 612-... The housing units can be mounted one above the other and side by side using the provided accessories. Dimensions (mm) W x H x D: 100 x 300 x 50



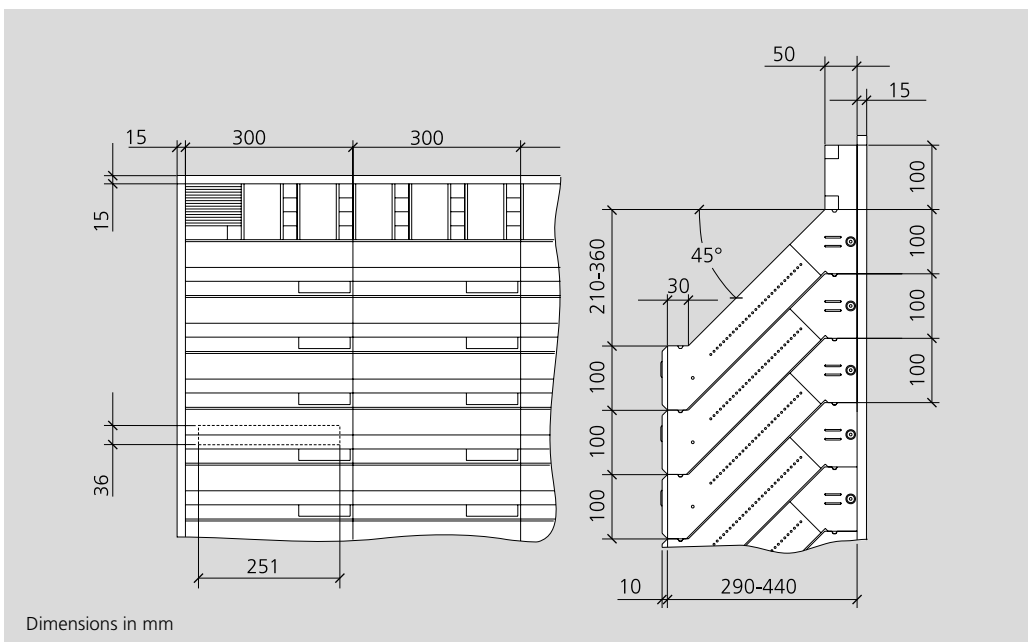
MR 611-3/1-0
 Mounting frame made of zinc die-cast, to accommodate 3 function modules. Suitable for vertical or horizontal mounting. With quick-release screws for flush-mount housing and Siedle Vario key. Dimensions (mm) W x H x D: 99.5 x 299.5 x 17



KR 611-...
 Combination frames made of extruded aluminium sheath, powder-coated/painted, to surround the function modules and cover the plaster groove. A surrounding seal prevents the penetration of water.

Specifications	
Designation	Dimensions (mm) W x H x D
KR 611-3/1-0	131 x 331 x 15
KR 611-3/2-0	231 x 331 x 15
KR 611-3/3-0	331 x 331 x 15
KR 611-4/3-0	331 x 431 x 38

Dimensions



Pass-through letterboxes 400 mm wide

System components



BKV 611-4/1-0 W

Pass-through letterbox according to DIN EN 13724 modular system, for masonry walls (dry masonry), made of hot-dip galvanized sheet steel, 0.8 mm, in inclined 45° model, extendable from 290 - 440 mm, can be combined horizontally and vertically.

Rear removal door, opening downwards, with cylinder lock, nameplate and inspection window. With connecting screws.

Colour: White

Nameplate size (mm) W x H: 70 x 21

Dimensions (mm) W x H x D:

400 x 100 x 290-440



BKV 611-4/2-0 W

Pass-through letterbox according to DIN EN 13724 modular system, for masonry walls (dry masonry), made of hot-dip galvanized sheet steel, 0.8 mm, in inclined 45° model, extendable from 290 - 440 mm, can be combined horizontally and vertically.

When arranging several BKV 611-4/2-0 units vertically, the relevant ISM 611-... must be used in order to cover the gap created at the front. The gap created below the bottom BKV 611-4/2-0 can alternatively be plastered. Rear removal door, opening downwards, with cylinder lock, nameplate and inspection window. With connecting screws.

Colour: White

Nameplate size (mm) W x H: 70 x 21

Dimensions (mm) W x H x D:

400 x 200 x 290-440



BKV 611-4/3-0 W

Pass-through letterbox according to DIN EN 13724 modular system, for masonry walls (dry masonry), made of hot-dip galvanized sheet steel, 0.8 mm, in inclined 45° model, extendable from 290 - 440 mm, can be combined horizontally and vertically.

When arranging several BKV 611-4/3-0 units vertically, the relevant ISM 611-... must be used in order to cover the gap created at the front. The gap created below the bottom BKV 611-4/3-0 can alternatively be plastered. Rear removal door, opening downwards, with cylinder lock, nameplate and inspection window. With connecting screws.

Colour: White

Nameplate size (mm) W x H: 70 x 21

Dimensions (mm) W x H x D:

400 x 300 x 290-440



BE 611-4/1-0

Letterbox flaps module made of extruded aluminium sheath, plastic-coated or painted.

The pass-through opening behind the flap can be adjusted in three stages: From the biggest possible opening of 40.5 mm to 20 mm, and if necessary the opening can be completely closed (e.g. during holiday periods). Self-closing flap, torsion-resistant, low-noise operation due to sealing lip. Pass-through and anti-pilfer device to DIN EN 13724. Can be screwed onto BKV 611-4/... or wall recess. Inscription field under the letterflap.

Only in conjunction with the BKV 611-4/... or with user's own letter compartment.

Pass-through size (mm) W x H: 351 x 36

Nameplate size (mm) W x H: 85 x 16

Dimensions (mm) W x H x D:

399 x 99 x 6



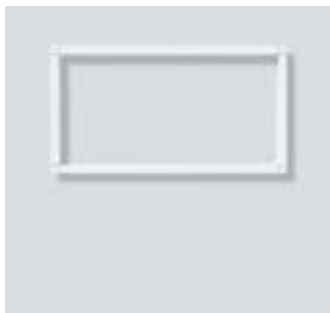
PB 611-4/1-0 W

Plaster trim suitable for 1 BKV 611-4/1-...

Colour/Material: White

Dimensions (mm) W x H x D:

431 x 131 x 38



PB 611-4/2-0 W

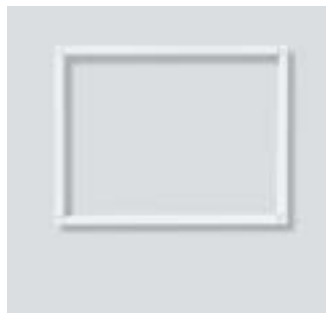
Plaster trim suitable for 2 BKV 611-4/1-...

units positioned one above the other or 1 BKV 611-4/2-...

Colour/Material: White

Dimensions (mm) W x H x D:

431 x 231 x 38



PB 611-3/4-0 W

Plaster trim suitable for 4 BKV 611-3/1-...

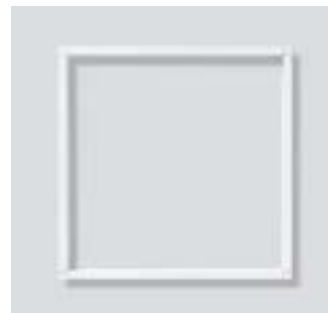
units positioned one above the other. BKV 611-3/2-... and the BKV 611-3/3-... can also be used. The BKV 611-3/2-... replaces 2 BKV 611-3/1-... units and the BKV 611-3/3-... replaces

3 BKV 611-3/1-... units.

Colour/Material: White

Dimensions (mm) W x H x D:

331 x 431 x 38



PB 611-4/4-0 W

Plaster trim suitable for 4 BKV 611-4/1-...

units positioned one above the other. The BKV 611-4/2-... and the BKV 611-4/3-... can also be used. The BKV 611-4/2-... replaces 2 BKV 611-4/1-... units and the BKV 611-4/3-... replaces

3 BKV 611-4/1-... units.

Colour/Material: White

Dimensions (mm) W x H x D:

431 x 431 x 38

Remarks

Rain

Letterbox systems are sealed towards the front. They are protected against the effects of splash water and normal rainfall. For unprotected and exposed mounting situations with frequent exposure to driving rain (e.g. in coastal areas), take suitable construction measures when installing to achieve optimum rain protection.

Removal side in the outside area

When mounting a letterbox system with

pass-through letterbox outside, e.g. in a garden wall, a rail guard or suitable wall recess with drip edge must be provided by the client on the removal side.

Ambient moisture

Natural stone and concrete have the ability to store moisture. The protracted effect of moisture can result in damage to the housing. Direct contact with concrete, plaster or similar building materials can result in increased corrosion due to chemical reactions.

When installing for instance in garden

walls, we recommend providing additional protection against moisture into the compartments by using a suitable protective film or a coating.

Effect of pressure

Housings can be deformed by the weight of wet concrete and/or by the compaction process. Suitable support measures should therefore be provided for in the box.

Siedle Vario
 Flush-mounted letterboxes
 Pass-through letterboxes

Pass-through letterboxes 400 mm wide
 System components



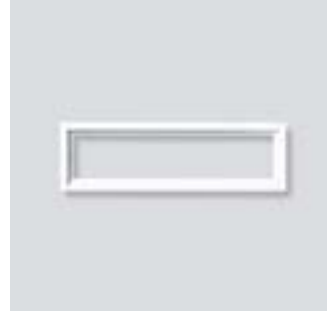
GU 611-4/1-0

Flush-mount housing in dimensionally stable plastic, for fixture of the mounting frame MR 611-4/1-... using quick-release screw joints. With prepared cable inlets, cable clamps and quick-release fixtures for the terminal blocks. Mounting possible with hollow wall mounting accessory ZHB 612-... The housing units can be mounted one above the other and side by side using the provided accessories or are required for mounting square function modules in the BGA 611-..., BG/SR 611-... For each GU 611-4/1-..., 1 MA/BG 611-... is required. Dimensions (mm) W x H x D: 100 x 400 x 50



MR 611-4/1-0

Mounting frame made of zinc die-cast, to accommodate 4 function modules. Suitable for vertical or horizontal mounting. With quick-release screws for flush-mount housing and Siedle Vario key. Dimensions (mm) W x H x D: 99.5 x 399.5 x 17



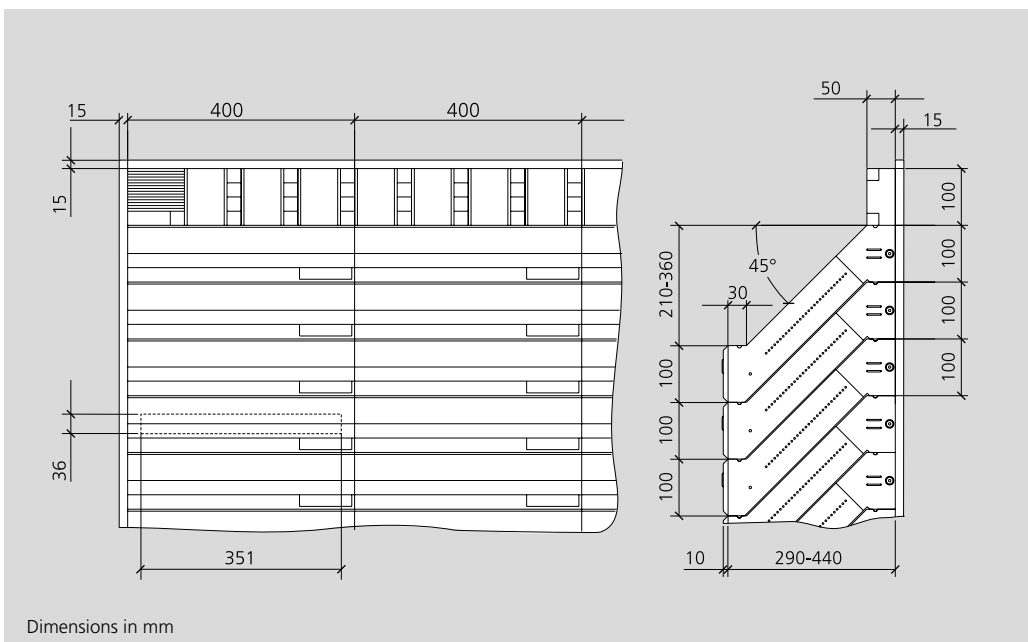
KR 611-...

Combination frames made of extruded aluminium sheath, powder-coated/painted, to surround the function modules and cover the plaster groove. A surrounding seal prevents the penetration of water.

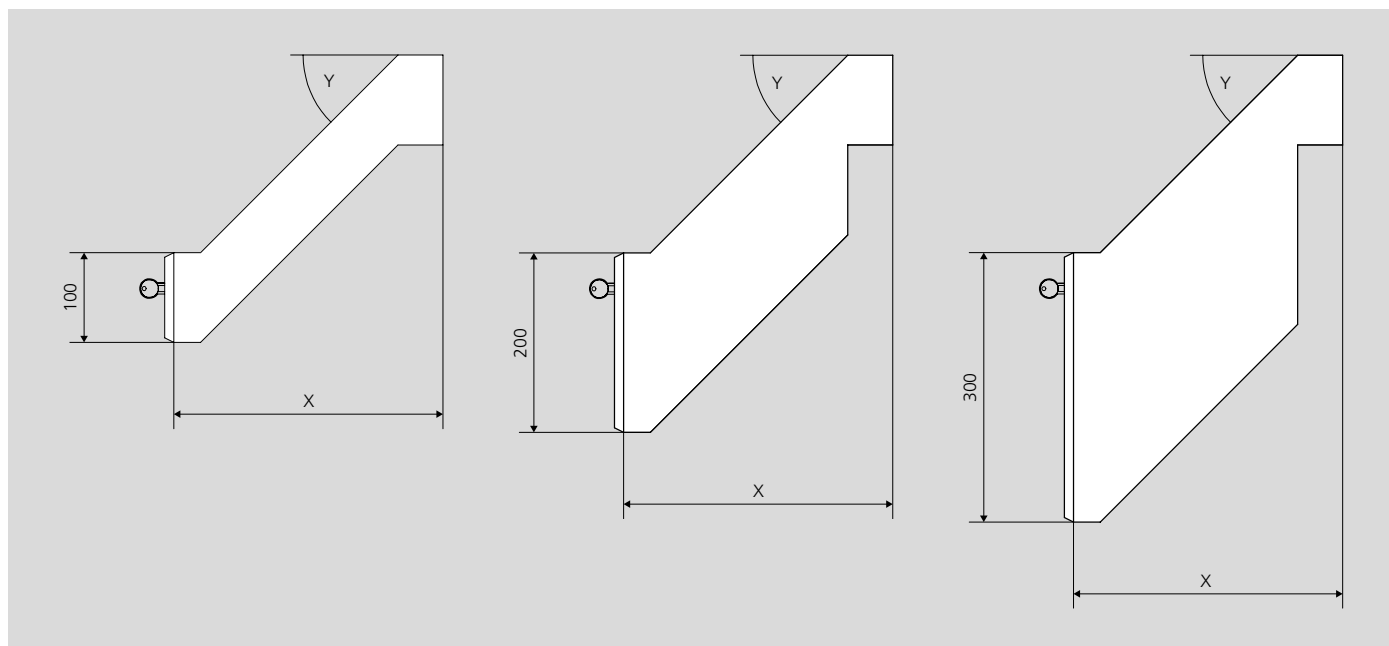
Specifications

Designation	Dimensions (mm) W x H x D
KR 611-4/1-0	131 x 431 x 15
KR 611-4/2-0	231 x 431 x 15
KR 611-4/3-0	331 x 431 x 38
KR 611-4/4-0	431 x 431 x 38

Dimensions



Non-standard solutions

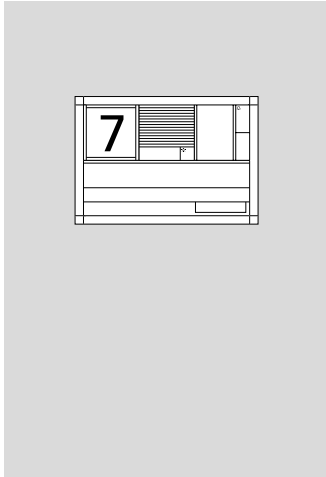


Pass-through letterboxes using the modular system for masonry mounting (dry masonry), each extendible in different sizes

x	y
210–290 mm	45°
440–590 mm	45°
590–740 mm	30°

*Siedle letterboxes naturally comply with European standard DIN EN 13724.

Order examples

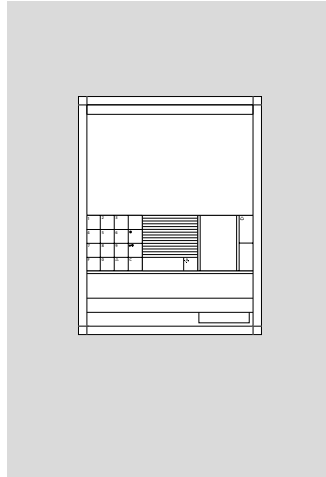


In-Home bus

- 1 IM 612-0
- 1 BTLM 650-04
- 1 BTM 650-01
- 1 BE 611-3/1-0
- 1 BKV 611-3/1-0
- 1 KR 611-3/2-0
- 1 GU 611-3/1-0
- 1 MR 611-3/1-0

1+n technology

- 1 IM 612-0
- 1 TLM 612-02
- 1 TM 612-1
- 1 BE 611-3/1-0
- 1 BKV 611-3/1-0
- 1 KR 611-3/2-0
- 1 GU 611-3/1-0
- 1 MR 611-3/1-0

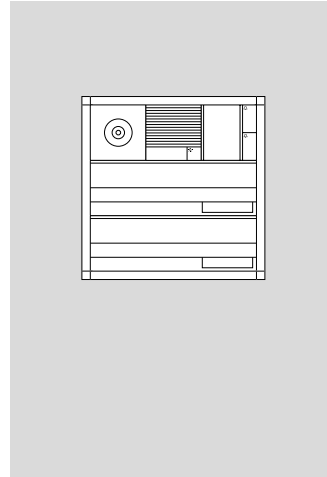


In-Home bus

- 1 LEDF 600-3/2-0
- 1 COM 611-02
- 1 BTLM 650-04
- 1 BTM 650-01
- 1 BE 611-3/1-0
- 1 BKV 611-3/1-0
- 1 KR 611-4/3-0
- 3 GU 611-3/1-0
- 1 MR 611-3/1-0

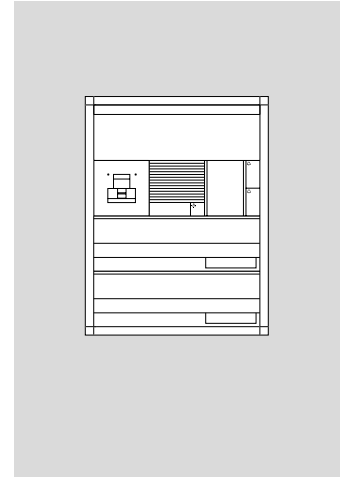
1+n technology

- 1 LEDF 600-3/2-0
- 1 COM 611-02
- 1 TLM 612-02
- 1 TM 612-1
- 1 BE 611-3/1-0
- 1 BKV 611-3/1-0
- 1 KR 611-4/3-0
- 3 GU 611-3/1-0
- 1 MR 611-3/1-0



In-Home bus

- 1 BCM 653-02
- 1 BTLM 650-04
- 1 BTM 650-02
- 2 BE 611-3/1-0
- 2 BKV 611-3/1-0
- 1 KR 611-3/3-0
- 1 GU 611-3/1-0
- 1 MR 611-3/1-0

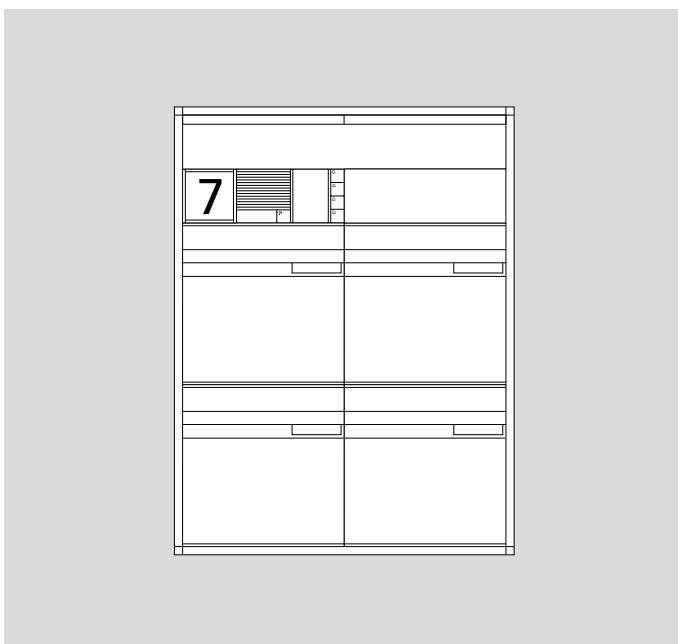


In-Home bus

- 1 LEDF 600-3/1-0
- 1 FPM 611-02
- 1 BTLM 650-04
- 1 BTM 650-02
- 2 BE 611-3/1-0
- 2 BKV 611-3/1-0
- 1 KR 611-4/3-0
- 2 GU 611-3/1-0
- 1 MR 611-3/1-0

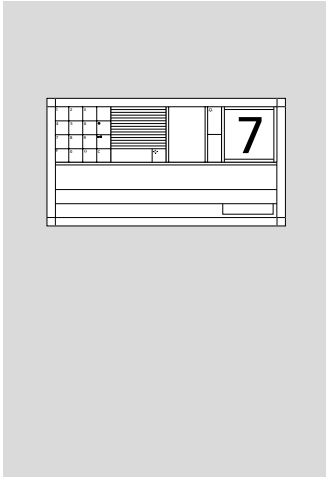
1+n technology

- 1 LEDF 600-3/1-0
- 1 FPM 611-02
- 1 TLM 612-02
- 1 TM 612-2
- 2 BE 611-3/1-0
- 2 BKV 611-3/1-0
- 1 KR 611-4/3-0
- 2 GU 611-3/1-0
- 1 MR 611-3/1-0



Please get in touch with us to
 discuss the many varied possibilities
 available.

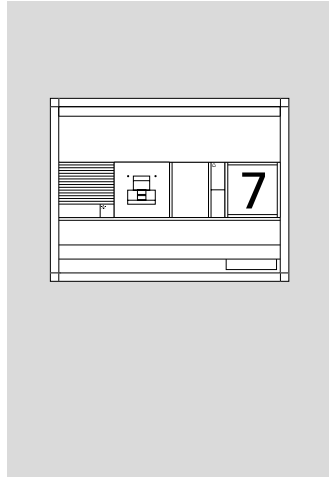
See page 320

**In-Home bus**

1 COM 611-02
 1 BTLM 650-04
 1 BTM 650-01
 1 IM 612-0
 1 BE 611-4/1-0
 1 BKV 611-4/1-0
 1 KR 611-4/2-0
 1 GU 611-4/1-0
 1 MR 611-4/1-0

1+n technology

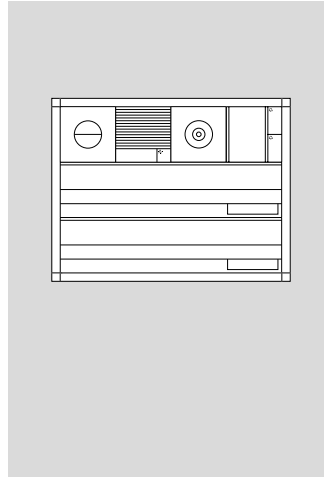
1 COM 611-02
 1 TLM 612-02
 1 TM 612-1
 1 IM 612-0
 1 BE 611-4/1-0
 1 BKV 611-4/1-0
 1 KR 611-4/2-0
 1 GU 611-4/1-0
 1 MR 611-4/1-0

**In-Home bus**

1 LEDF 600-4/1-0
 1 BTLM 650-04
 1 FPM 611-02
 1 BTM 650-01
 1 IM 612-0
 1 BE 611-4/1-0
 1 BKV 611-4/1-0
 1 KR 611-4/3-0
 2 GU 611-4/1-0
 1 MR 611-4/1-0

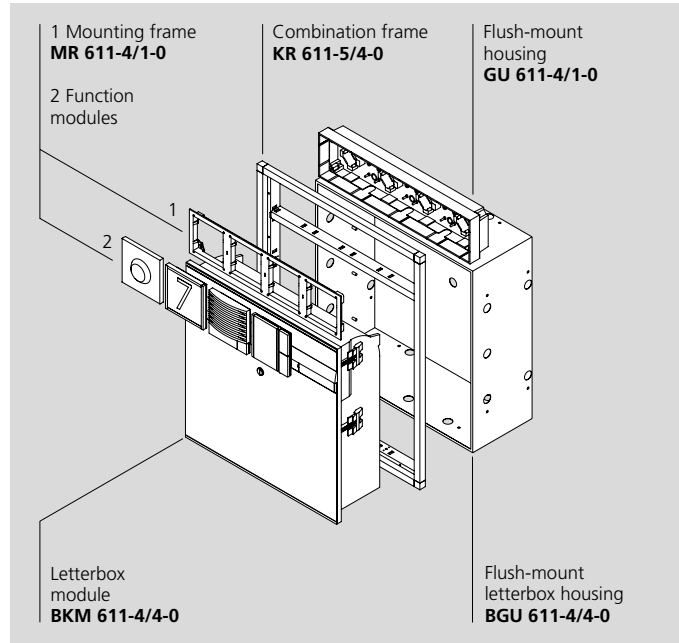
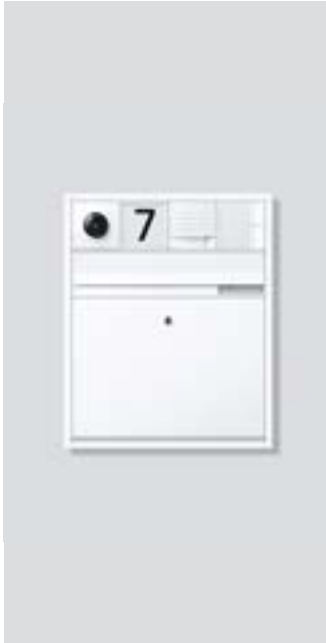
1+n technology

1 LEDF 600-4/1-0
 1 TLM 612-02
 1 FPM 611-02
 1 TM 612-1
 1 IM 612-0
 1 BE 611-4/1-0
 1 BKV 611-4/1-0
 1 KR 611-4/3-0
 2 GU 611-4/1-0
 1 MR 611-4/1-0

**In-Home bus**

1 BMM 611-0
 1 BTLM 650-04
 1 BCM 653-02
 1 BTM 650-02
 2 BE 611-4/1-0
 2 BKV 611-4/1-0
 1 KR 611-4/3-0
 1 GU 611-4/1-0
 1 MR 611-4/1-0

Product description



Post removal from the front is the right option where wall breakthrough is not practicable. The flush-mount version requires a housing height of just 15 millimetres. The carcase and fronts in durable, corrosion-proof aluminium are capable of withstanding adverse weather conditions and forced opening.

The 3-point locking mechanism and a hard-wearing cylinder lock keep the mail safely under lock and key. The removal door opens downwards rather than to the side, effectively preventing post from dropping out. All-round drainage channels offer optimum protection from driving rain, and the climate box made of plastic prevents the build-up of condensation.



- 1** A sturdy cylinder lock keeps the mail securely stored.
- 2** Perfect design down to the last detail. The rotary knob on the storage component.
- 3** A light pressure is enough to release the nameplate. Perfection: Rubber plugs seal the nameplate reliably against the ingress of moisture.
- 4** The flap has an automatic arrest mechanism and opens extra-wide for convenient removal. This makes it a pleasure to fetch the mail.

5 The three-point lock ensures a high level of security for the storage of mail. The drainage channels in the floor of the box provide reliable protection against moisture.

6 The storage compartment offers a roomy depository for private households and companies alike.

7 Even bulky C4 envelopes easily fit through the 351 mm wide opening.

System components



BGU 611-4/4-0
 Flush-mount letterbox housing made of 1.0 mm hot-dip galvanized steel to accommodate BKM 611-4/4-... / AFM 611-4/4-..., with fixture facility for suitable combination frame, plaster compensation 15 mm. Prepared for mounting in a row of several BGU 611-4/4-... units side by side or one above the other. With connecting screws for mounting in a row.
 Dimensions (mm) W x H x D:
 400 x 400 x 150



AFM 611-4/4-0
 Delivery compartment module with removal door at the front to be used for purposes such as a compartment for deliveries by baker, milkman etc. Removal door made of plastic-coated or painted aluminium, torsion-resistant, hard-wearing, concealed hinges made of plastic. With top sealing lip and convenient turn-lock fastener. The opening door is automatically stopped at a predetermined angle. Module made of foam plastic, with rack. The square shape permits mounting in letterbox housings BGU/BGA 611-... with fastening facility at the combination frame.
 Mounting depth (mm): 117
 Height of structure (mm): 18
 Dimensions (mm) W x H x D:
 399 x 399 x 135



BKM 611-4/4-0
 Letterbox module with pass-through flap, front removal door and letterbox. Pass-through and anti-pilfer device to DIN EN 13724. Pass-through flap and removal door in plastic-coated or painted aluminium, torsion-resistant, hard-wearing, concealed plastic hinges. The nameplate is located under the letterbox flap. Convenient post removal door which brakes automatically at a pre-determined angle, safety lock with 2 keys. Permanently integrated in the module is a large-format letterbox made of plastic, bottom-shaped as post support rack. The square design permits installation of letterbox module housings BGU/ BGA 611-... Fitted for attachment to combination frame.

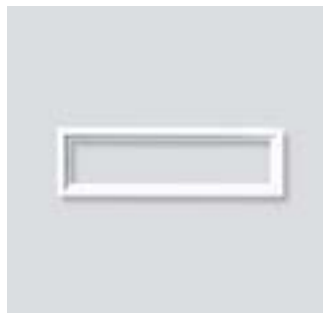
Pass-through size (mm) W x H:
 351 x 32.5
 Nameplate size (mm) W x H: 85 x 16
 Mounting depth (mm): 117
 Height of structure (mm): 6
 Dimensions (mm) W x H x D:
 399 x 399 x 123



GU 611-4/1-0
 Flush-mount housing in dimensionally stable plastic, for fixture of the mounting frame MR 611-4/1-... using quick-release screw joints. With prepared cable inlets, cable clamps and quick-release fixtures for the terminal blocks. Mounting possible with hollow wall mounting accessory ZHB 612-... The housing units can be mounted one above the other and side by side using the provided accessories or are required for mounting square function modules in the BGA 611-..., BG/SR 611-... For each GU 611-4/1-..., 1 MA/BG 611-... is required.
 Dimensions (mm) W x H x D:
 100 x 400 x 50



MR 611-4/1-0
 Mounting frame made of zinc die-cast, to accommodate 4 function modules. Suitable for vertical or horizontal mounting. With quick-release screws for flush-mount housing and Siedle Vario key.
 Dimensions (mm) W x H x D:
 99.5 x 399.5 x 17



KR 611-...
 Combination frames made of extruded aluminium sheath, powder-coated/painted, to surround the function modules and cover the plaster groove. A surrounding seal prevents the penetration of water.

Remarks

Rain
 Letterbox systems are sealed towards the front. They are protected against the effects of splash water and normal rainfall. For unprotected and exposed mounting situations with frequent exposure to driving rain (e.g. in coastal areas), take suitable construction measures when installing to achieve optimum rain protection.

Ambient moisture

Natural stone and concrete have the ability to store moisture. The protracted effect of moisture can result in damage to the housing. Direct contact with concrete, plaster or similar building materials can result in increased corrosion due to chemical reactions. When installing for instance in garden walls, we recommend providing additional protection against moisture into the compartments by using a suitable protective film or a coating.

Effect of pressure

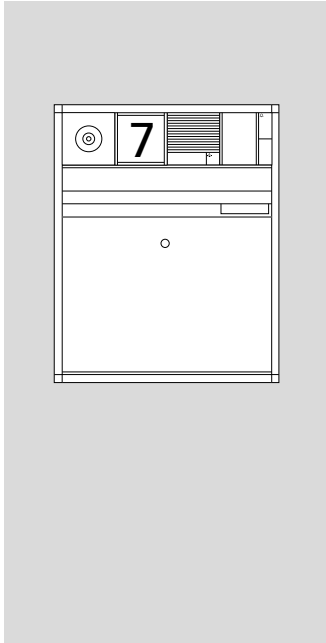
Housings can be deformed by the weight of wet concrete and/or by the compaction process. Suitable support measures should therefore be provided for in the box.

Specifications

Designation	Dimensions (mm) W x H x D
KR 611-5/4-0	431 x 531 x 38
KR 611-8/8-0	831 x 831 x 38
KR 611-9/4-0 A	431 x 931 x 38
KR 611-9/8-0 A	831 x 931 x 38

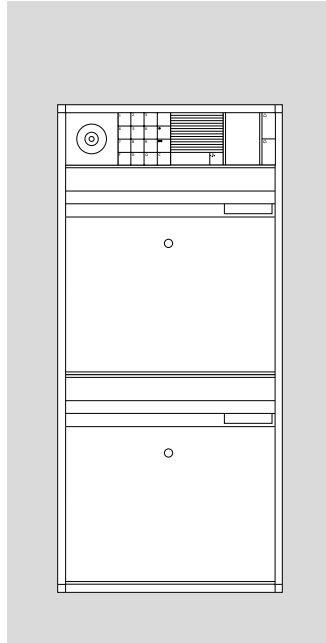
Siedle Vario
 Flush-mounted letterboxes
 Letterboxes, front removal

Order examples



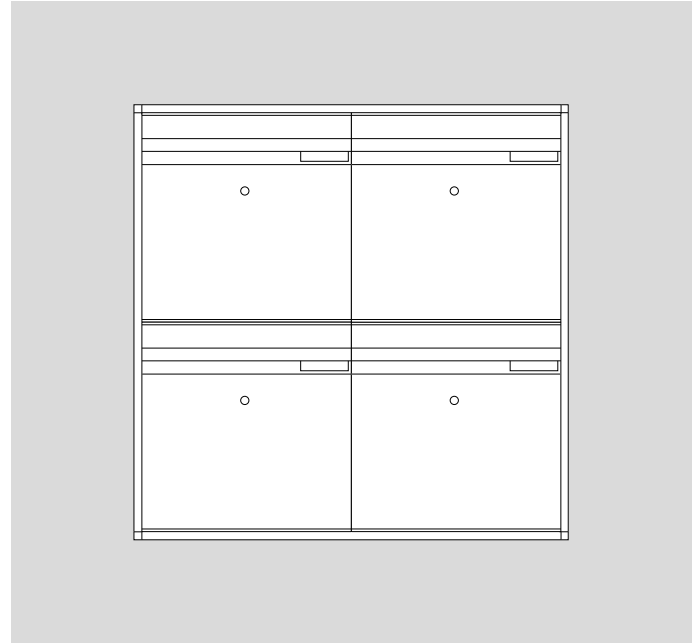
In-Home bus

- 1 BCM 653-02
- 1 IM 612-0
- 1 BTLM 650-04
- 1 BTM 650-01
- 1 BKM 611-4/4-0
- 1 KR 611-5/4-0
- 1 GU 611-4/1-0
- 1 BGU 611-4/4-0
- 1 MR 611-4/1-0



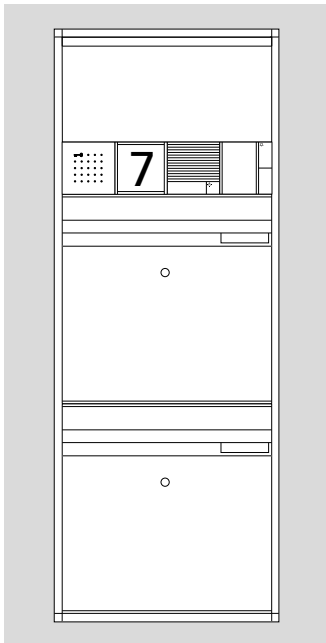
In-Home bus

- 1 BCM 653-02
- 1 COM 611-02
- 1 BTLM 650-04
- 1 BTM 650-02
- 2 BKM 611-4/4-0
- 1 KR 611-9/4-0 A
- 1 GU 611-4/1-0
- 2 BGU 611-4/4-0
- 1 MR 611-4/1-0



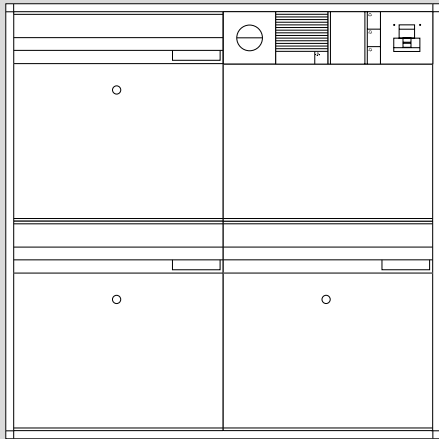
System-independent

- 4 BKM 611-4/4-0
- 1 KR 611-8/8-0
- 4 BGU 611-4/4-0



Please get in touch with us to discuss the many varied possibilities available.

See page 320

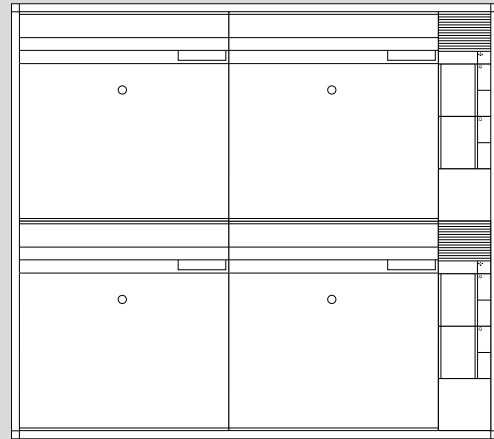


In-Home bus

- 1 BMM 611-0
- 1 BTLM 650-04
- 1 BTM 650-03
- 1 FPM 611-02
- 1 ISM 611-4/3-0
- 3 BKM 611-4/4-0
- 1 KR 611-8/8-0
- 3 BGU 611-4/4-0
- 4 GU 611-4/1-0
- 1 MR 611-4/1-0

1+n technology

- 1 BMM 611-0
- 1 TLM 612-02
- 1 TM 612-3
- 1 FPM 611-02
- 1 ISM 611-4/3-0
- 3 BKM 611-4/4-0
- 1 KR 611-8/8-0
- 3 BGU 611-4/4-0
- 4 GU 611-4/1-0
- 1 MR 611-4/1-0



In-Home bus

- 2 BTLM 650-04
- 4 BTM 650-01
- 2 BM 611-0
- 4 BKM 611-4/4-0
- 1 KR 611-9/8-0 A
- 4 BGU 611-4/4-0
- 2 GU 611-4/1-0
- 2 MR 611-4/1-0

1+n technology

- 2 TLM 612-02
- 4 TM 612-1
- 2 BM 611-0
- 4 BKM 611-4/4-0
- 1 KR 611-9/8-0 A
- 4 BGU 611-4/4-0
- 2 GU 611-4/1-0
- 2 MR 611-4/1-0



Siedle Vario Free-standing letterboxes

Letterboxes with standpipe

Product description	176
System components	177
Accessories	178
Non-standard solutions	179
Dimensions	179
Order examples	180

Letterboxes with communication pedestals

Product description	182
System components	183
Accessories	183
Non-standard solutions	184
Dimensions	184
Order examples	185

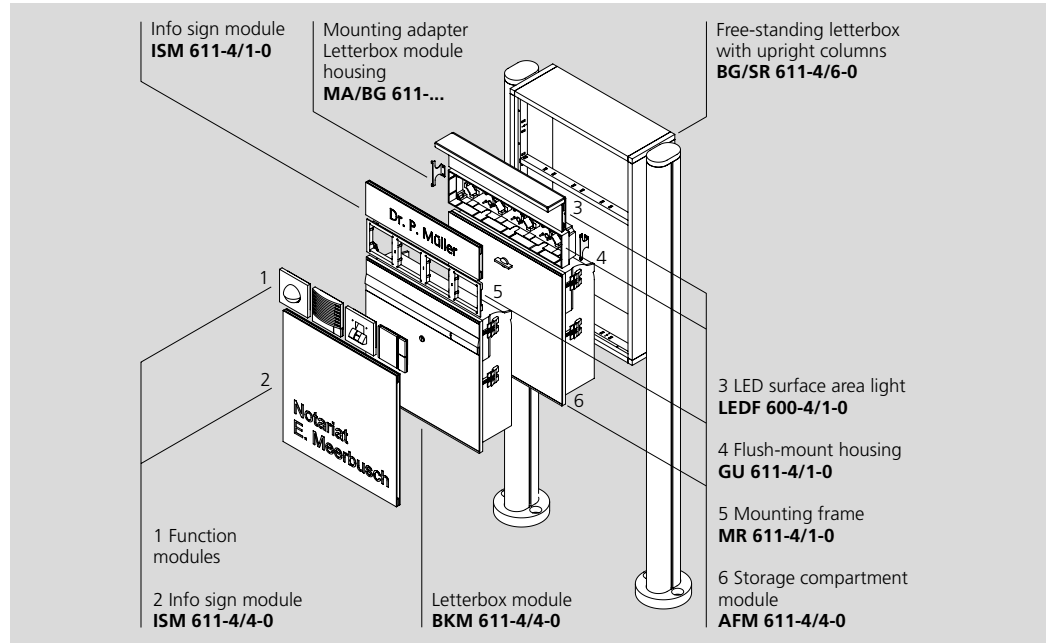
Space-saving letterbox with standpipe

Product description	186
System components	187
Accessories	187
Non-standard solutions	188
Dimensions	189
Order examples	190

Space-saving letterboxes with communication pedestals

Product description	192
System components	193
Accessories	193
Non-standard solutions	194
Dimensions	194
Order examples	195

Product description



All the benefits of Siedle Vario are brought fully to bear in free-standing letterbox systems. The communication pedestal as a carrier with standpipes, featuring space-saving letterboxes or a large removal door, with info sign and LED surface area light or all other Vario function modules: A Vario letterbox system is transformed into a freely locatable communica-

tion and mail centre. The wide diversity of possibilities adds to the complexity of the planning process. Initially determine, ideally together with your customer, what the requirements are, and use our quotation service for non-standard Vario solutions! See page 320

Quotation service

You can send a completed quote template (Download area on the Siedle website) to our Quote service, who will prepare a design proposal and a quote including price and delivery time on the basis of the information provided.

Scope of supply
BG/SR 611-...

Free-standing variants are fitted as standard with a 1.30 m long standpipe and a floor flange for screw fastening. Any required mounting hardware such as heavy-duty dowels and screws are provided with the delivery. A cable channel integrated in the left-hand standpipe offers sufficient space for cable routing. Alternatively, cable routing in the right-hand stand pipe, special lengths of 1.60 m or 1.90 m in height and standpipes designed to be set in concrete can be supplied on request.



- 1 A sturdy cylinder lock keeps the mail securely stored.
- 2 Perfect design down to the last detail. The rotary knob on the storage component.
- 3 A light pressure is enough to release the nameplate. Perfection: Rubber plugs seal the nameplate reliably against the ingress of moisture.
- 4 The flap has an automatic arrest mechanism and opens extra-wide for convenient removal. This makes it a pleasure to fetch the mail.

5 The three-point lock ensures a high level of security for the storage of mail. The drainage channels in the floor of the box provide reliable protection against moisture.

6 The storage compartment offers a roomy depository for private households and companies alike.

7 Even bulky C4 envelopes easily fit through the 351 mm wide opening.

System components



BG/SR 611-4/9-0

Free-standing letterbox with standpipes to accommodate 2 letterbox or storage compartment modules. 4 module slots to accommodate info sign modules, surface area lights and function modules in the upper section. Intercom module and additional functional modules within easy ergonomical operating reach. Aluminium profile with base flange. Letterbox housing with aluminium rear panel with coating / paintwork finish. Complete with letterbox housing, standard pipes and base flange with fixing accessories such as heavy-duty dowels etc.
Dimensions (mm) W x H x D:
647 x 1344 x 150



AFM 611-4/4-0

Delivery compartment module with removal door at the front to be used for purposes such as a compartment for deliveries by baker, milkman etc. Removal door made of plastic-coated or painted aluminium, torsion-resistant, hard-wearing, concealed hinges made of plastic. With top sealing lip and convenient turn-lock fastener. The opening door is automatically stopped at a predetermined angle. Module made of foam plastic, with rack. The square shape permits mounting in letterbox housings BGU/BGA 611-... with fastening facility at the combination frame. Suitable for external installation.
Mounting depth (mm): 117
Height of structure (mm): 18
Dimensions (mm) W x H x D:
399 x 399 x 135



BKM 611-4/4-0

Letterbox module with pass-through flap, front removal door and letterbox. Pass-through and anti-pilfer device to DIN EN 13724. Pass-through flap and removal door in plastic-coated or painted aluminium, torsion-resistant, hard-wearing, concealed plastic hinges. The nameplate is located under the letterbox flap. Convenient post removal door which brakes automatically at a pre-determined angle, safety lock with 2 keys. Permanently integrated in the module is a large-format letterbox made of plastic, bottom-shaped as post support rack. The square design permits installation of letterbox module housings BGU/BGA 611-... Fitted for attachment to combination frame.
Pass-through size (mm) W x H:
351 x 32.5
Nameplate size (mm) W x H: 85 x 16
Mounting depth (mm): 117
Height of structure (mm): 6
Dimensions (mm) W x H x D:
399 x 399 x 123

Siedle Vario
Free-standing letterboxes
Letterboxes with standpipe

System components



GU 611-4/1-0

Flush-mount housing in dimensionally stable plastic, for fixture of the mounting frame MR 611-4/1-... using quick-release screw joints. With prepared cable inlets, cable clamps and quick-release fixtures for the terminal blocks. Mounting possible with hollow wall mounting accessory ZHB 612-... The housing units can be mounted one above the other and side by side using the provided accessories or are required for mounting square function modules in the BGA 611-..., BG/SR 611-... For each GU 611-4/1-..., 1 MA/BG 611-... is required. Dimensions (mm) W x H x D: 100 x 400 x 50



MR 611-4/1-0

Mounting frame made of zinc die-cast, to accommodate 4 function modules. Suitable for vertical or horizontal mounting. With quick-release screws for flush-mount housing and Siedle Vario key. Dimensions (mm) W x H x D: 99.5 x 399.5 x 17



MA/BG 611-0

A mounting adapter/letterbox module housing for horizontal and vertical fixture of flush-mount housing GU 611-4/1-... in housing BGA 611-.../BG/SR 611-... is required for each GU 611-4/1-... Comprising 1 pair of mounting brackets and screws.



MA/LEDF 600-0

Mounting adapter LED surface area light to hold terminal blocks when an LEDF 600-... is mounted in housing BGA 611-..., BG/KSF 611-..., BG/SR 611-... or in the info sign housing of a KSF 61x. Fixture using the supplied adhesive tape. Dimensions (mm) W x H x D: 56 x 56 x 5.5

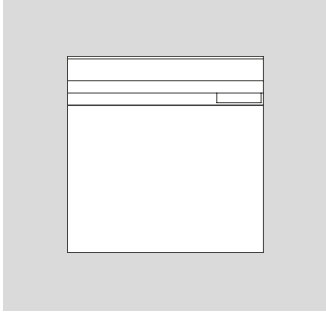
Accessories



ZE/SR 611-0

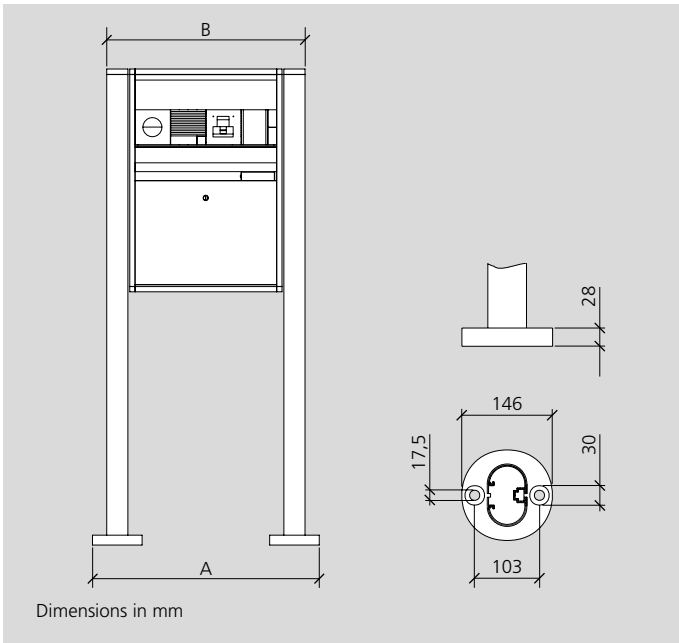
Ground element accessory for concreting into the ground made of stable, hot-dip galvanized sectional steel with internal cable opening and floor flange and welded-on nuts for fixture of the relevant standpipe. Dimensions (mm) W x H x D: 220 x 505 x 200

Non-standard solutions



Letterbox module with pass-through flap, rear removal door and letter-box

Dimensions



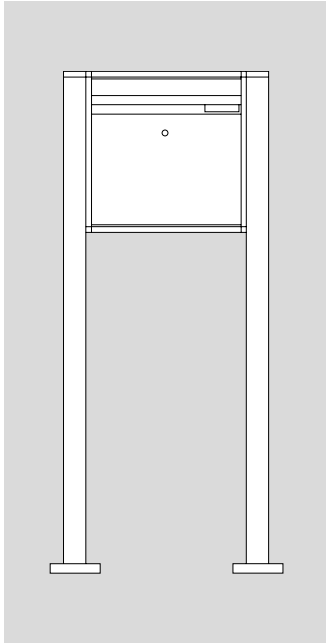
Dimensions in mm

Specifications for the letterboxes

Designation	Dimensions (mm) W x H x D	Dimensions A (mm)	Dimensions B (mm)
BG/SR 611-4/4-0*	647 x 1344 x 150	647	561
BG/SR 611-4/5-0	647 x 1344 x 150	647	561
BG/SR 611-4/6-0	647 x 1344 x 150	647	561
BG/SR 611-4/9-0	647 x 1344 x 150	647	561
BG/SR 611-8/9-0	1047 x 1344 x 150	1047	961

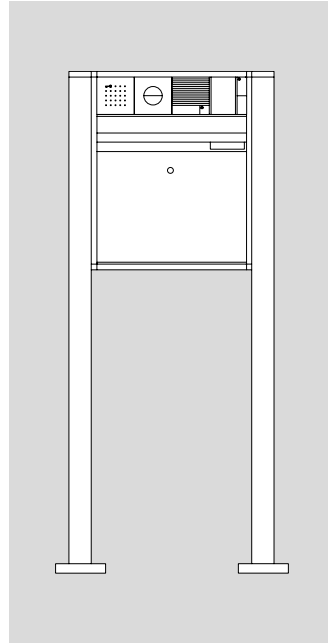
* Not prepared for cable inlet ex works

Order examples



System-independent

- 1 BG/SR 611-4/4-0
- 1 BKM 611-4/4-0

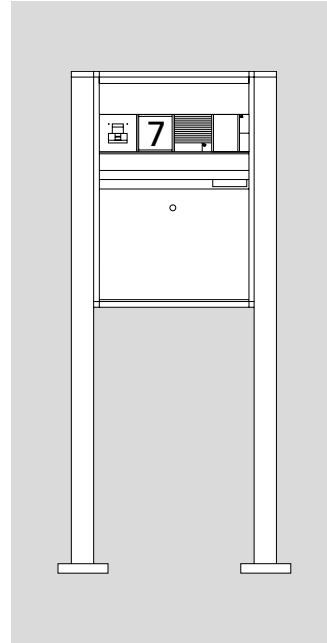


In-Home bus

- 1 BG/SR 611-4/5-0
- 1 BKM 611-4/4-0
- 1 ELM 600-0
- 1 EKC 601-0 (3 pcs.)
- 1 BMM 611-0
- 1 BTLM 650-04
- 1 BTM 650-01
- 1 GU 611-4/1-0
- 1 MR 611-4/1-0
- 1 MA/BG 611-0

1+n technology

- 1 BG/SR 611-4/5-0
- 1 BKM 611-4/4-0
- 1 ELM 600-0
- 1 EKC 601-0 (3 pcs.)
- 1 BMM 611-0
- 1 TLM 612-02
- 1 TM 612-1
- 1 GU 611-4/1-0
- 1 MR 611-4/1-0
- 1 MA/BG 611-0

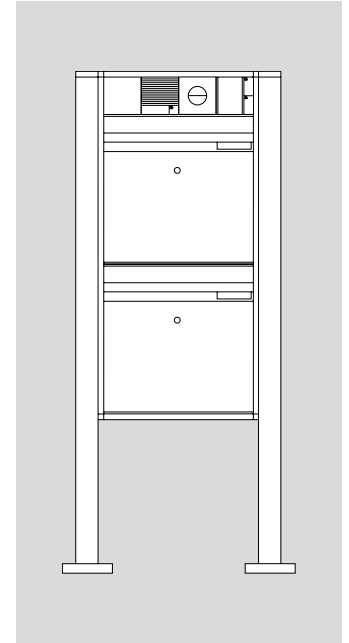


In-Home bus

- 1 BG/SR 611-4/6-0
- 1 BKM 611-4/4-0
- 1 LEDF 600-4/1-0
- 1 FPM 611-02
- 1 IM 612-0
- 1 BTLM 650-04
- 1 BTM 650-01
- 1 GU 611-4/1-0
- 1 MR 611-4/1-0
- 1 MA/BG 611-0
- 1 MA/LEDF 600-0

1+n technology

- 1 BG/SR 611-4/6-0
- 1 BKM 611-4/4-0
- 1 LEDF 600-4/1-0
- 1 FPM 611-02
- 1 IM 612-0
- 1 TLM 612-02
- 1 TM 612-1
- 1 GU 611-4/1-0
- 1 MR 611-4/1-0
- 1 MA/BG 611-0
- 1 MA/LEDF 600-0

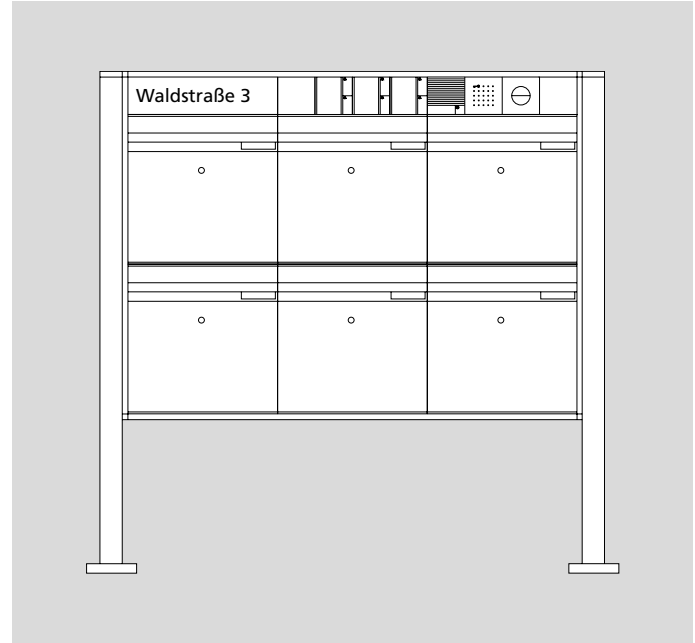
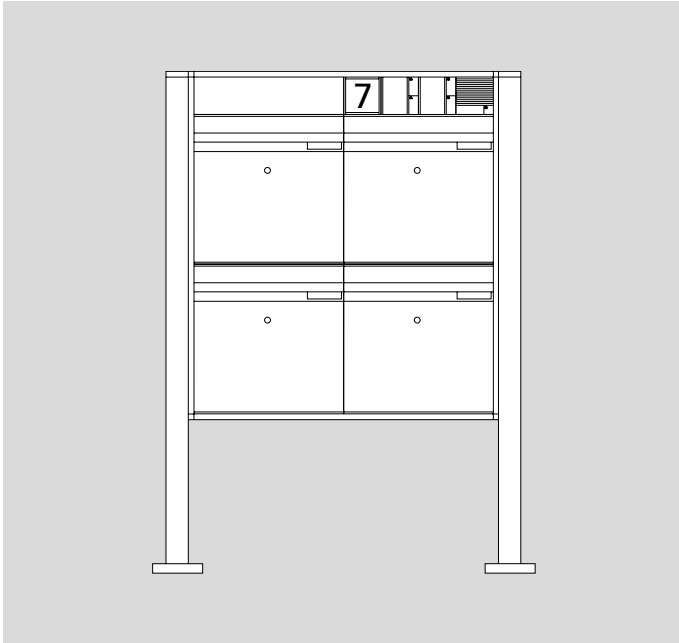


In-Home bus

- 1 BG/SR 611-4/9-0
- 2 BKM 611-4/4-0
- 1 BM 611-0
- 1 BTLM 650-04
- 1 BMM 611-0
- 1 BTM 650-02
- 1 GU 611-4/1-0
- 1 MR 611-4/1-0
- 1 MA/BG 611-0

1+n technology

- 1 BG/SR 611-4/9-0
- 2 BKM 611-4/4-0
- 1 BM 611-0
- 1 TLM 612-02
- 1 BMM 611-0
- 1 TM 612-2
- 1 GU 611-4/1-0
- 1 MR 611-4/1-0
- 1 MA/BG 611-0

**In-Home bus**

- 1 BG/SR 611-8/9-0
- 4 BKM 611-4/4-0
- 1 ISM 611-4/1-0
- 1 IM 612-0
- 2 BTM 650-02
- 1 BTLM 650-04
- 1 GU 611-4/1-0
- 1 MR 611-4/1-0
- 1 MA/BG 611-0

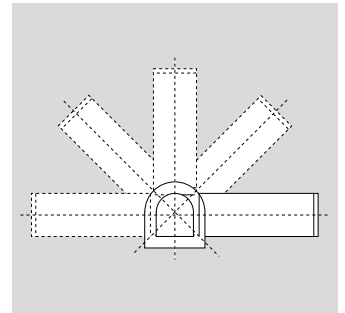
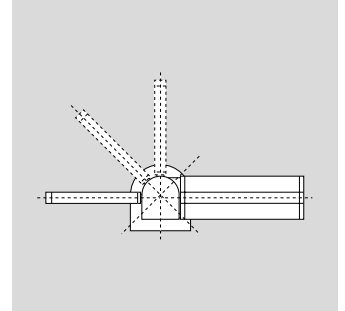
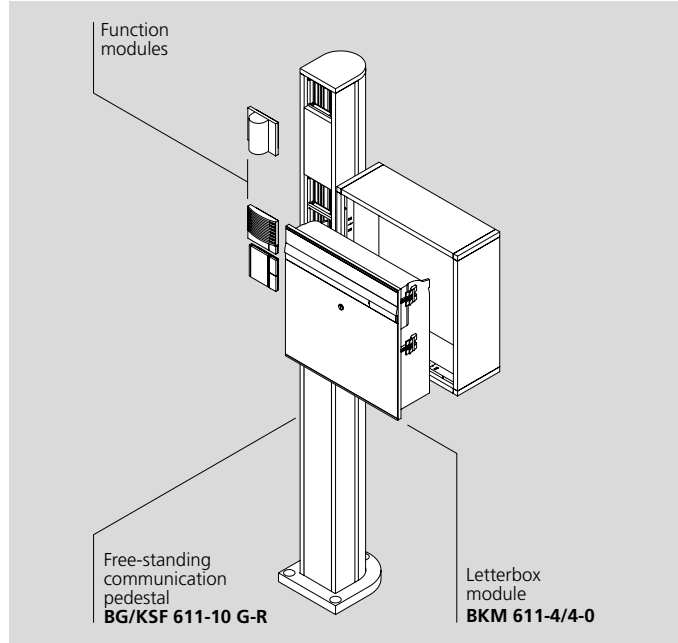
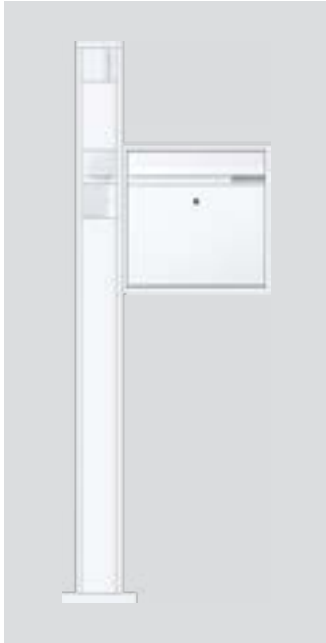
1+n technology

- 1 BG/SR 611-8/9-0
- 4 BKM 611-4/4-0
- 1 ISM 611-4/1-0
- 1 IM 612-0
- 2 TM 612-2
- 1 TLM 612-02
- 1 GU 611-4/1-0
- 1 MR 611-4/1-0
- 1 MA/BG 611-0

Please get in touch with us to discuss the many varied possibilities available.

See page 320

Product description



With its greater structural depth and profiled housing, the communication pedestal is transformed into a multi-functional support system for letterboxes, info signs and LED surface area lights. Please note during the planning and ordering process that this function is only possible when opting for the large-volume housing (KSF 61x).

The low-profile communication pedestal with its minimal overall depth (KS 61x, page 58) cannot be combined with the letterboxes, signs and LED surface area lights.

Quotation service

You can send a completed quote template (Download area on the Siedle website) to our Quote service, who will prepare a design proposal and a quote including price and delivery time on the basis of the information provided.

The various planning possibilities

Letterboxes or info signs are positioned at 5 angles spaced 45° apart at the right height on the free-standing pedestal. This possibility of creating three-dimensional configurations allows you to design your own orientation or signage system.



- 1** A sturdy cylinder lock keeps the mail securely stored.
- 2** Perfect design down to the last detail. The rotary knob on the storage component.
- 3** A light pressure is enough to release the nameplate. Perfection: Rubber plugs seal the nameplate reliably against the ingress of moisture.
- 4** The flap has an automatic arrest mechanism and opens extra-wide for convenient removal. This makes it a pleasure to fetch the mail.

5 The three-point lock ensures a high level of security for the storage of mail. The drainage channels in the floor of the box provide reliable protection against moisture.

6 The storage compartment offers a roomy depository for private households and companies alike.

7 Even bulky C4 envelopes easily fit through the 351 mm wide opening.

System components



BG/KSF 611-10 A-R

Free-standing communication pedestal with 1 letterbox housing (right) to accommodate 1 letterbox or storage compartment module and 2 function modules at the top. Height 1.30 m. Aluminium profile with base flange. Letterbox housing with aluminium rear wall.

Dimensions (mm) W x H x D:
606 x 1344 x 150



AFM 611-4/4-0

Delivery compartment module with removal door at the front to be used for purposes such as a compartment for deliveries by baker, milkman etc. Removal door made of plastic-coated or painted aluminium, torsion-resistant, hard-wearing, concealed hinges made of plastic.

With top sealing lip and convenient turn-lock fastener. The opening door is automatically stopped at a predetermined angle. Module made of foam plastic, with rack. The square shape permits mounting in letterbox housings BGU/BGA 611-... with fastening facility at the combination frame.

Suitable for external installation.

Mounting depth (mm): 117
Height of structure (mm): 18
Dimensions (mm) W x H x D:
399 x 399 x 135



BKM 611-4/4-0

Letterbox module with pass-through flap, front removal door and letterbox.

Pass-through and anti-pilfer device to DIN EN 13724.

Pass-through flap and removal door in plastic-coated or painted aluminium, torsion-resistant, hard-wearing, concealed plastic hinges. The nameplate is located under the letterbox flap. Convenient post removal door which brakes automatically at a pre-determined angle, safety lock with 2 keys.

Permanently integrated in the module is a large-format letterbox made of plastic, bottom-shaped as post support rack. The square design permits installation of letterbox module housings BGU/ BGA 611-... Fitted for attachment to combination frame.

Pass-through size (mm) W x H:
351 x 32.5

Nameplate size (mm) W x H: 85 x 16

Mounting depth (mm): 117

Height of structure (mm): 6

Dimensions (mm) W x H x D:

399 x 399 x 123



MA/LEDF 600-0

Mounting adapter LED surface area light to hold terminal blocks when an LEDF 600-... is mounted in housing BGA 611-..., BG/KSF 611-..., BG/ SR 611-... or in the info sign housing of a KSF 61x.

Fixture using the supplied adhesive tape.

Dimensions (mm) W x H x D:

56 x 56 x 5.5

Accessories



ZE/KS/KSF 611-0

Ground element accessory for concreting into the ground made of stable, hot-dip galvanized sectional steel, ground flange with M10 thread for fixture of communication pedestals KSF 613/616-..., KS 613/616-... or LS 604/608-...

Depending on the type of pedestal, the ground element accessory can be turned by 180°.

Dimensions (mm) W x H x D:

191 x 505 x 210



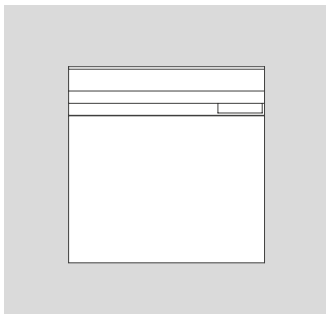
ZE/SR 611-0

Ground element accessory for concreting into the ground made of stable, hot-dip galvanized sectional steel with internal cable opening and floor flange and welded-on nuts for fixture of the relevant standpipe.

Dimensions (mm) W x H x D:

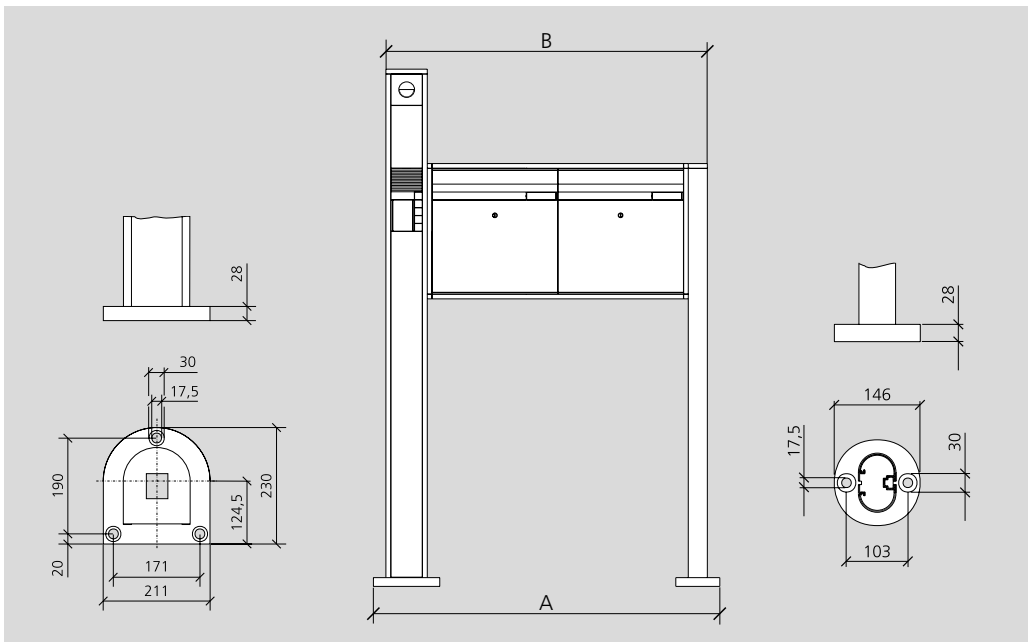
220 x 505 x 200

Non-standard solutions



Letterbox module with pass-through flap, rear removal door and letter-box

Dimensions

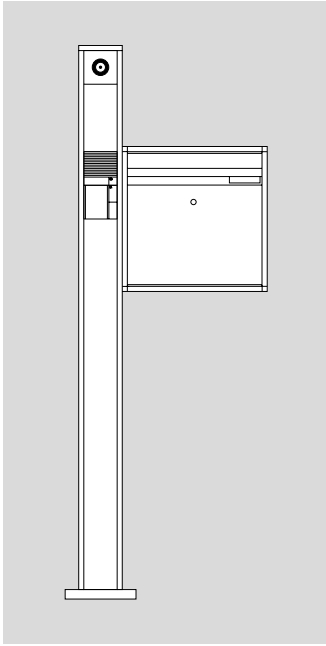


Dimensions
 Dimensions in mm
 Cut-out for cable entry: 50 x 60 mm
 Profile KSF 61x: 131 x 150 mm

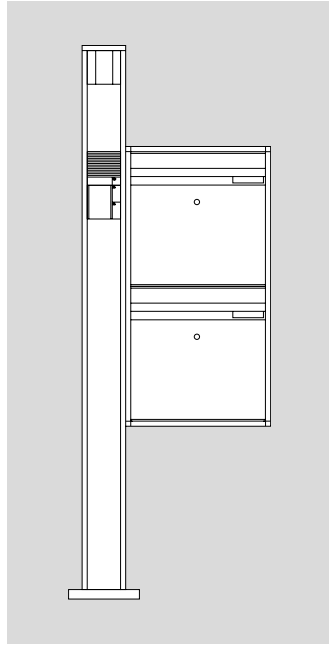
Specifications: Pedestals + letterboxes

Designation	Dimensions (mm) W x H x D	Dimensions A (mm)	Dimensions B (mm)
BG/KSF 611-10 A-R	606 x 1344 x 150	-	567
BG/KSF 611-10 B-R	606 x 1344 x 150	-	567
BG/KSF 611-10 G-R	606 x 1644 x 150	-	567
BG/KSF 611-10 H-R	606 x 1644 x 150	-	567
BG/KSF 611-20 G-R	606 x 1644 x 150	-	567

Order examples

**In-Home bus**

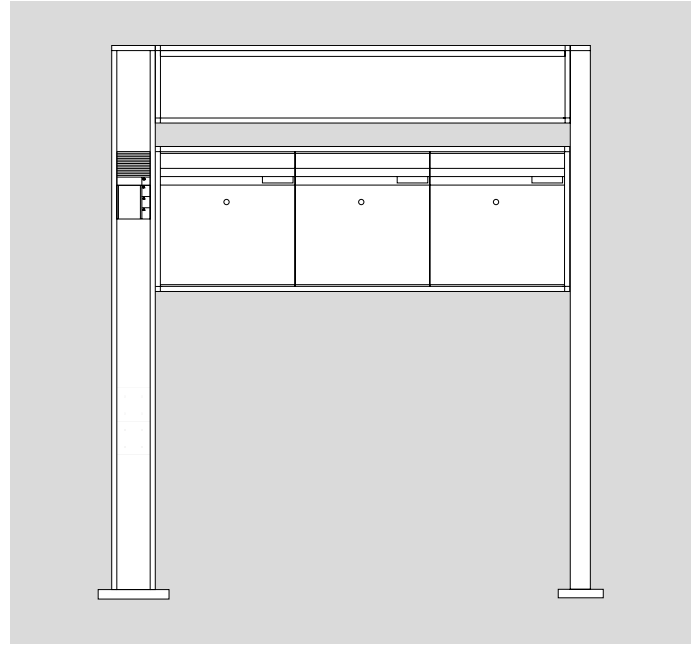
1 BG/KSF 611-10 G-R
 1 BKM 611-4/4-0
 1 BCM 653-02
 1 BTLM 650-04
 1 BTM 650-01

**In-Home bus**

1 BG/KSF 611-20 G-R
 2 BKM 611-4/4-0
 1 LE DS 600-0
 1 BTLM 650-04
 1 BTM 650-02

1+n technology

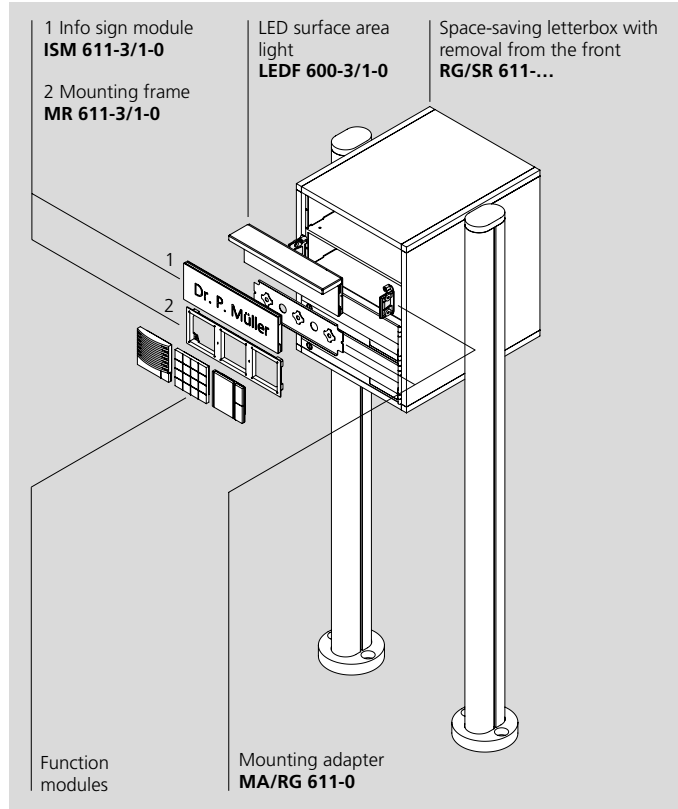
1 BG/KSF 611-20 G-R
 2 BKM 611-4/4-0
 1 LE DS 600-0
 1 TLM 612-02
 1 TM 612-2



**Please get in touch with us to
 discuss the many varied possibilities
 available.**

See page 320

Product description



Scope of supply

Free-standing variants are fitted as standard with a 1.30 m long standpipe and a floor flange for screw fastening. Any required mounting hardware such as heavy-duty dowels and screws are provided with the delivery. A cable channel integrated in the left standpipe offers sufficient space for cable routing.

Alternatively, cable routing in the right-hand standpipe, special lengths of 1.60 m or 1.90 m in height and standpipes designed to be set in concrete can be supplied on request.

Please note:

Alongside the standard height of 100 mm, space-saving letterboxes are also available if required in the heights 200 and 300 mm.

Housings RG/SR are ideally suited for accommodating spacious, convenient letterboxes in a minimum of space. Despite their compact design, the letterboxes comply with DIN EN 13724 and offer sufficient space for large DIN C4 envelopes, newspapers, catalogues and other bulky post items. Depending on requirements, combination is possible with info sign modules ISM, LED surface area lights LEDF and square Vario function modules.

The letterboxes are supplied as standard completely with letterflap, anti-pilfer device nameplate 16 x 78 mm, protection of stored mail against the ingress of moisture, are right-hanging and with a lock permanently mounted in the housing.

Quotation service

You can send a completed quote template (Download area on the Siedle website) to our Quote service, who will prepare a design proposal and a quote including price and delivery time on the basis of the information provided.



1 Even bulky C4 envelopes easily fit through the 251 mm wide opening.



2 The removal safeguard permits mail to be slipped into the box but provides optimum protection against unauthorized access.



3 The drainage channels in the floor of the box provide reliable protection against moisture.

4 Done in a flash: using just a ball point pen or a screwdriver, the cover can be removed to change the nameplate.

System components



MR 611-3/1-0
Mounting frame made of zinc die-cast, to accommodate 3 function modules. Suitable for vertical or horizontal mounting. With quick-release screws for flush-mount housing and Siedle Vario key.
Dimensions (mm) W x H x D:
99.5 x 299.5 x 17



MA/RG 611-0
A mounting adapter/space-saving housing for fixture of module terminal blocks and mounting frame MR 611-3/1-... in housing RGA 611-..., RG/SR 611-... and RG/KSF 611-... is required for each line of modules. Composed of 1 pair of mounting brackets, screws and fixing plate.



MA/LEDF 600-0
Mounting adapter LED surface area light to hold terminal blocks when an LEDF 600-... is mounted in housing BGA 611-..., BG/KSF 611-..., BG/SR 611-... or in the info sign housing of a KSF 61x. Fixture using the supplied adhesive tape.
Dimensions (mm) W x H x D:
56 x 56 x 5.5

RG/SR 611-2/1

1 additional compartment to accommodate functional modules such as door loudspeaker, call buttons and info sign modules or lighting elements. Letterbox with aluminium rear panel, complete with letter flap, removal safeguard, protection of mail against the ingress of moisture, right hinging door and lock permanently mounted in the housing. Coated or paintwork finish. Standpipes made of sectional aluminium with base flange.

Dimensions (mm) W x H x D:
547 x 1344 x 400

Accessories

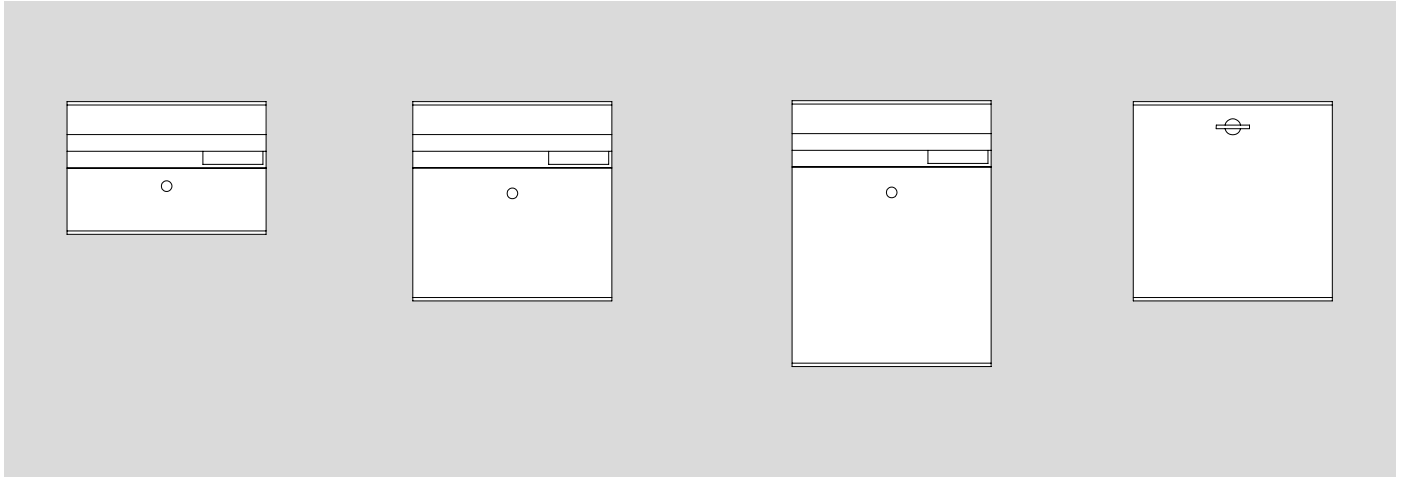


ZE/SR 611-0

Ground element accessory for concreting into the ground made of stable, hot-dip galvanized sectional steel with internal cable opening and floor flange and welded-on nuts for fixture of the relevant standpipe.

Dimensions (mm) W x H x D:
220 x 505 x 200

Non-standard solutions

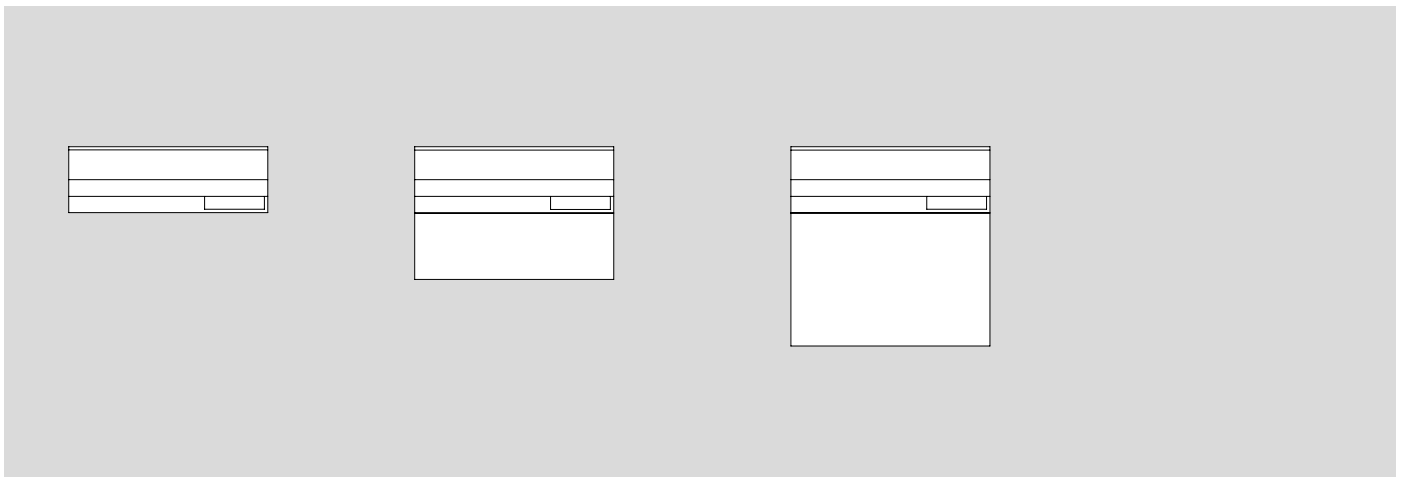


Space-saving letterboxes with removal from the front, double height

Space-saving letterboxes with removal from the front, triple height

Space-saving letterboxes with removal from the front, quadruple height

Storage compartment with removal from the front for systems with space-saving letterboxes

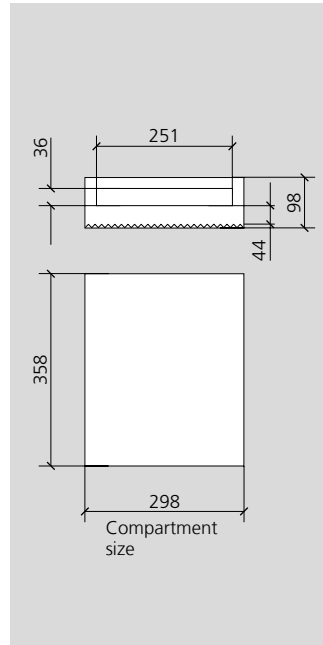
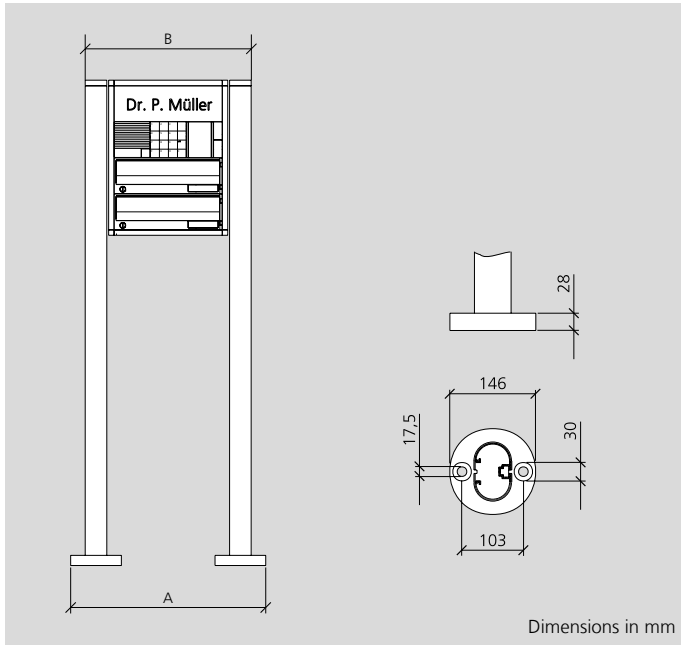


Space-saving letterboxes with removal from the rear, single height

Space-saving letterboxes with removal from the rear, double height

Space-saving letterboxes with removal from the rear, triple height

Dimensions

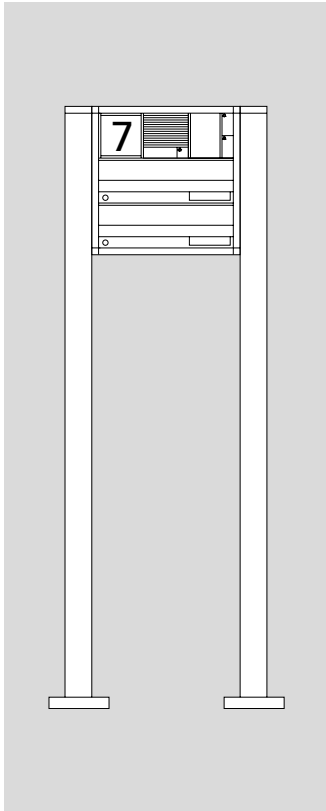


Specifications space-saving letterboxes

Designation	Dimensions (mm) W x H x D	Dimensions A (mm)	Dimensions B (mm)
RG/SR 611-2/1	547 x 1344 x 400	547	461
RG/SR 611-3/1	547 x 1344 x 400	547	461
RG/SR 611-4/1	547 x 1344 x 400	547	461
RG/SR 611-6/1	547 x 1344 x 400	547	461
RG/SR 611-8/2	847 x 1344 x 400	847	761
RG/SR 611-12/2	847 x 1344 x 400	847	761

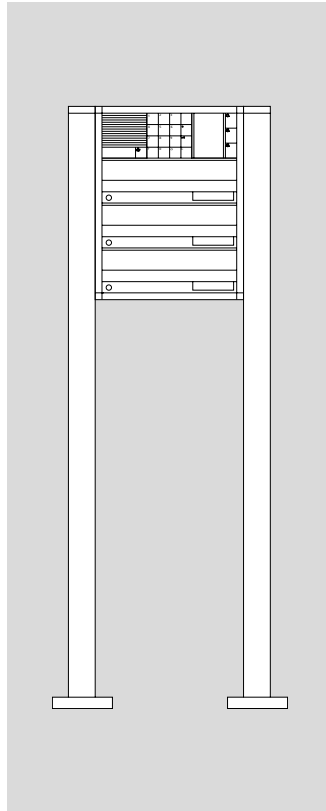
Siedle Vario
 Free-standing letterboxes
 Space-saving letterbox with standpipe

Order examples



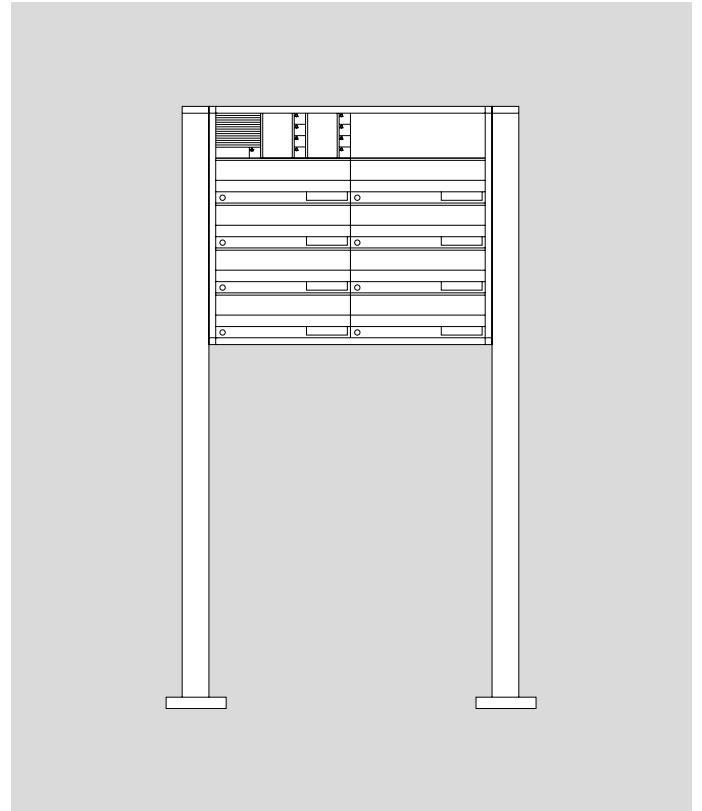
- In-Home bus**
 1 RG/SR 611-2/1
 1 IM 612-0
 1 BTLM 650-04
 1 BTM 650-02
 1 MR 611-3/1-0
 1 MA/RG 611-0

- 1+n technology**
 1 RG/SR 611-2/1
 1 IM 612-0
 1 TLM 612-02
 1 TM 612-2
 1 MR 611-3/1-0
 1 MA/RG 611-0



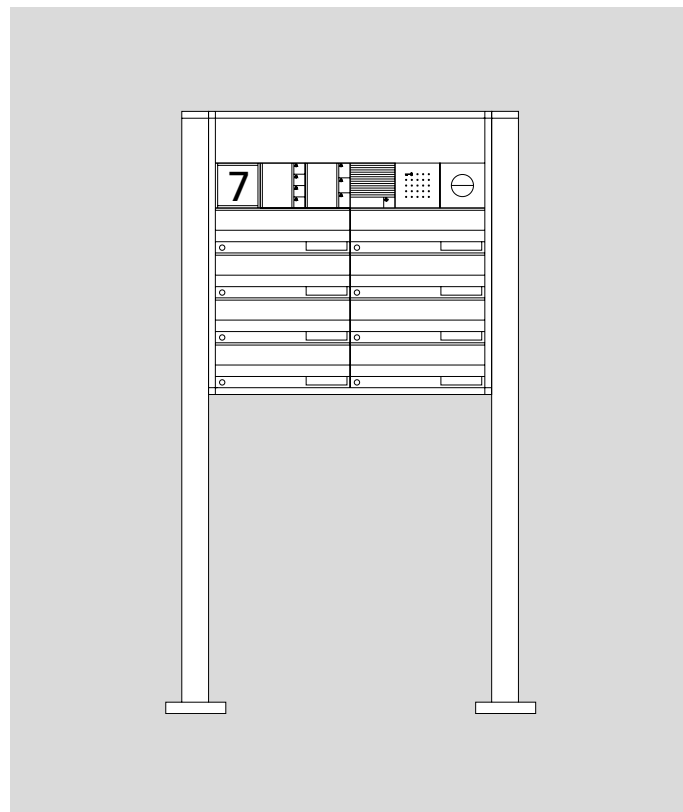
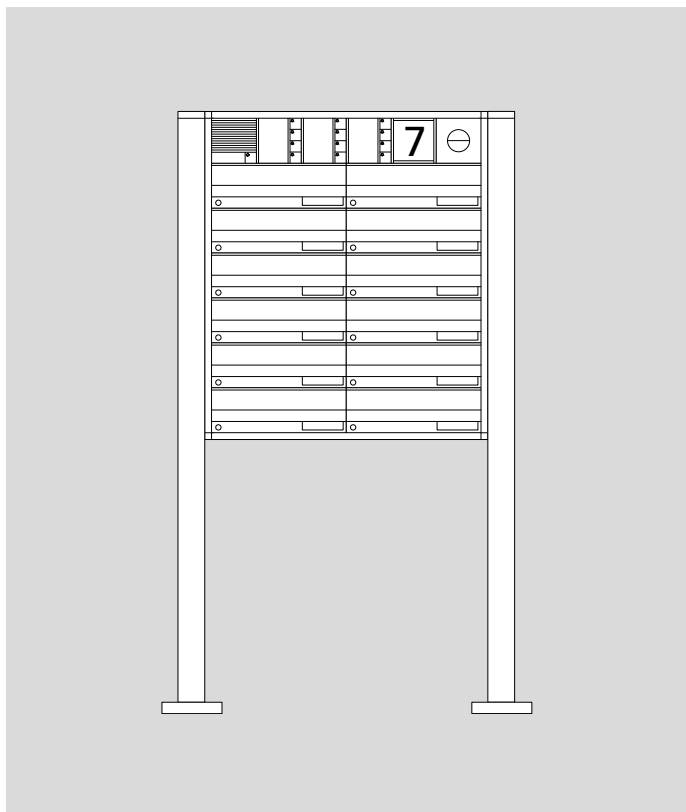
- In-Home bus**
 1 RG/SR 611-3/1
 1 COM 611-02
 1 BTLM 650-04
 1 BTM 650-03
 1 MR 611-3/1-0
 1 MA/RG 611-0

- 1+n technology**
 1 RG/SR 611-3/1
 1 TLM 612-02
 1 COM 611-02
 1 TM 612-3
 1 MR 611-3/1-0
 1 MA/RG 611-0



- In-Home bus**
 1 RG/SR 611-8/2
 1 BTLM 650-04
 2 BTM 650-04
 1 ISM 611-3/1-0
 1 MR 611-3/1-0
 1 MA/RG 611-0

- 1+n technology**
 1 RG/SR 611-8/2
 1 TLM 612-02
 2 TM 612-4
 1 ISM 611-3/1-0
 1 MR 611-3/1-0
 1 MA/RG 611-0

**In-Home bus**

- 1 RG/SR 611-12/2
- 1 BTLM 650-04
- 3 BTM 650-04
- 1 IM 612-0
- 1 BMM 611-0
- 2 MR 611-3/1-0
- 2 MA/RG 611-0

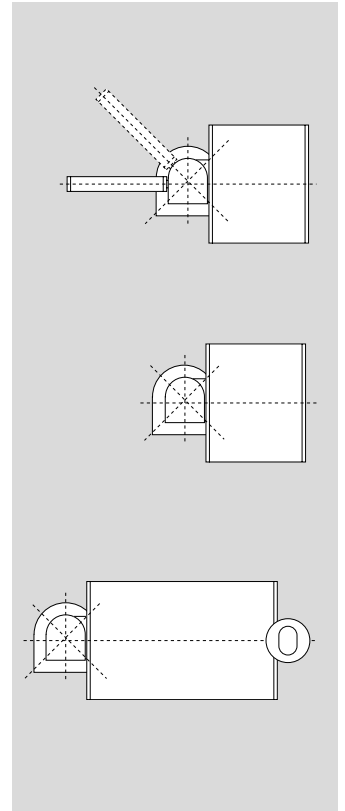
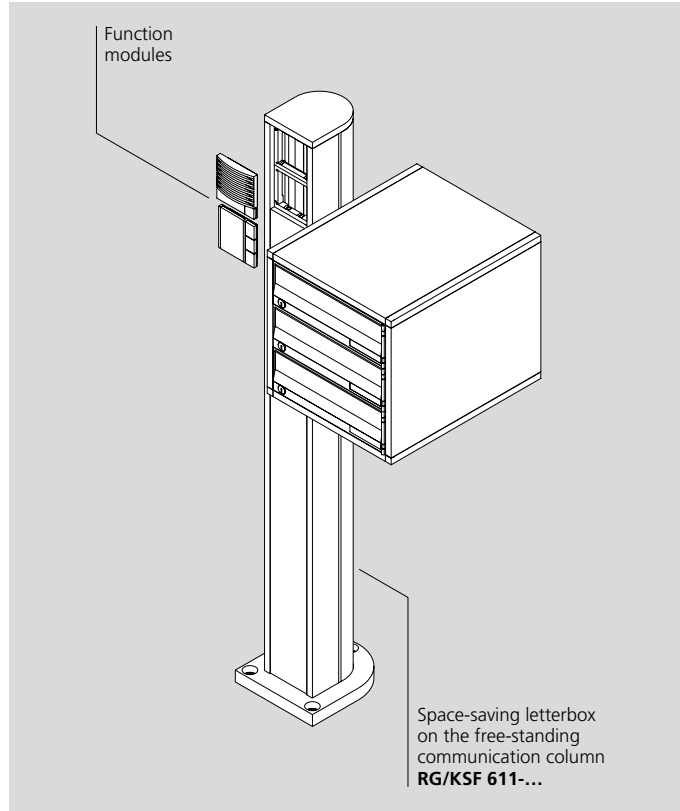
1+n technology

- 1 RG/SR 611-12/2
- 1 TLM 612-02
- 3 TM 612-4
- 1 IM 612-0
- 1 BMM 611-0
- 2 MR 611-3/1-0
- 2 MA/RG 611-0

**Please get in touch with us to
discuss the many varied possibilities
available.**

See page 320

Product description



The communication pedestal in combination with space-saving letterboxes: A complete reception centre requiring minimal space and affording maximum flexibility. The letterbox housing can be attached in five positions, and the pedestal places all the functional elements at just the right ergonomic height.

The pedestal can also be simply extended to include an info sign – even as a retrofit solution.

Quotation service

You can send a completed quote template (Download area on the Siedle website) to our Quote service, who will prepare a design proposal and a quote including price and delivery time on the basis of the information provided.

The various planning possibilities

Letterboxes or info signs are positioned at 5 angles spaced 45° apart at the right height on the free-standing pedestal. This possibility of creating three-dimensional configurations allows you to design your own orientation or signage system.



1 Even bulky C4 envelopes easily fit through the 251 mm wide opening.



2 The removal safeguard permits mail to be slipped into the box but provides optimum protection against unauthorized access.



3 The drainage channels in the floor of the box provide reliable protection against moisture.

4 Done in a flash: using just a ball point pen or a screwdriver, the cover can be removed to change the nameplate.

System components



MA/LEDF 600-0

Mounting adapter LED surface area light to hold terminal blocks when an LEDF 600-... is mounted in housing BGA 611-..., BG/KSF 611-..., BG/SR 611-... or in the info sign housing of a KSF 61x.
 Fixture using the supplied adhesive tape.
 Dimensions (mm) W x H x D:
 56 x 56 x 5.5

RG/KSF 611-...

Letterbox with aluminium rear panel, complete with letter flap, removal safeguard, protection of mail against the ingress of moisture, right hinging door and lock permanently mounted in the housing. Coated or paintwork finish. Aluminium profile with base flange. Complete with communication pedestal, front panel(s), matching number of module adapters, matching number of mounting frames, letterbox housing, base flange with fixing accessories such as heavy-duty dowels etc.

Accessories



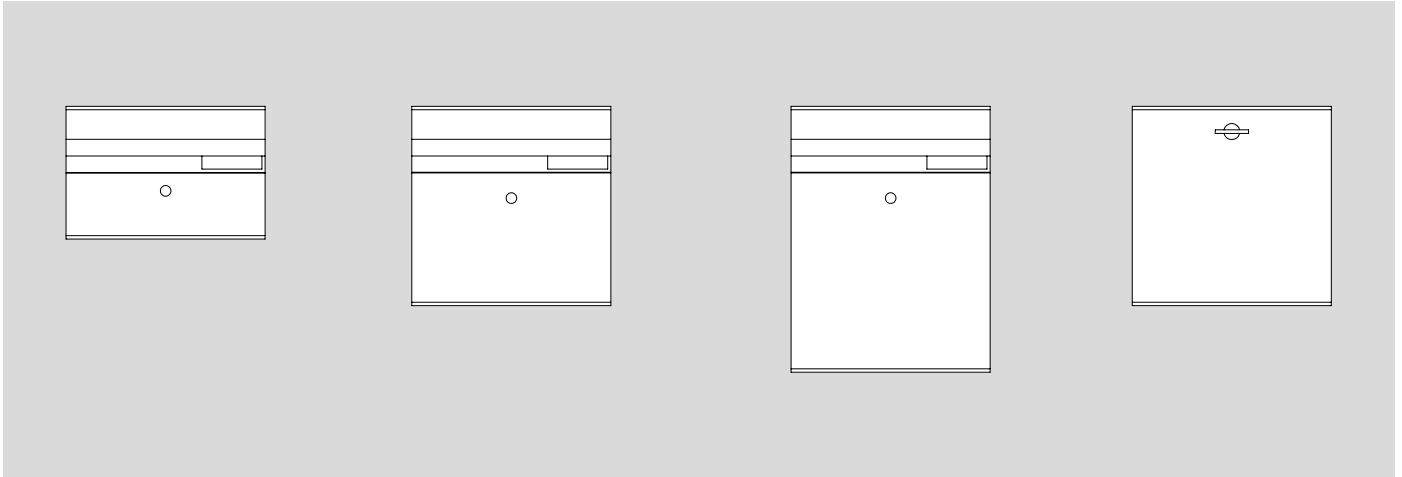
ZE/SR 611-0

Ground element accessory for concreting into the ground made of stable, hot-dip galvanized sectional steel with internal cable opening and floor flange and welded-on nuts for fixture of the relevant standpipe.
 Dimensions (mm) W x H x D:
 220 x 505 x 200

ZE/KS/KSF 611-0

Ground element accessory for concreting into the ground made of stable, hot-dip galvanized sectional steel, ground flange with M10 thread for fixture of communication pedestals KSF 613/616-..., KS 613/616-... or LS 604/608-...
 Depending on the type of pedestal, the ground element accessory can be turned by 180°.
 Dimensions (mm) W x H x D:
 191 x 505 x 210

Non-standard solutions

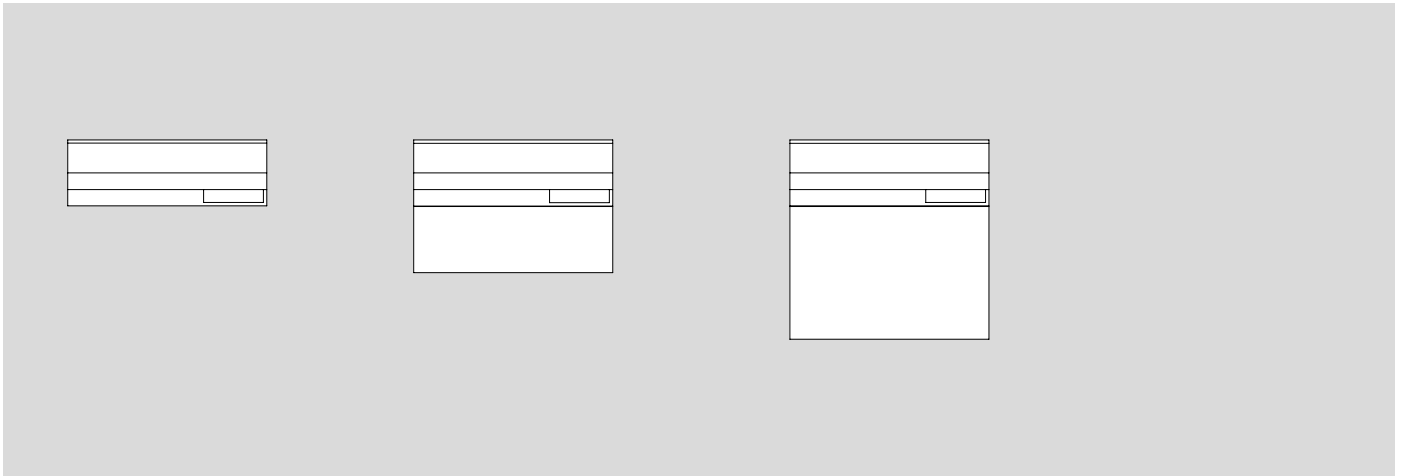


Space-saving letterboxes with removal from the front, double height

Space-saving letterboxes with removal from the front, triple height

Space-saving letterboxes with removal from the front, quadruple height

Storage compartment with removal from the front for systems with space-saving letterboxes

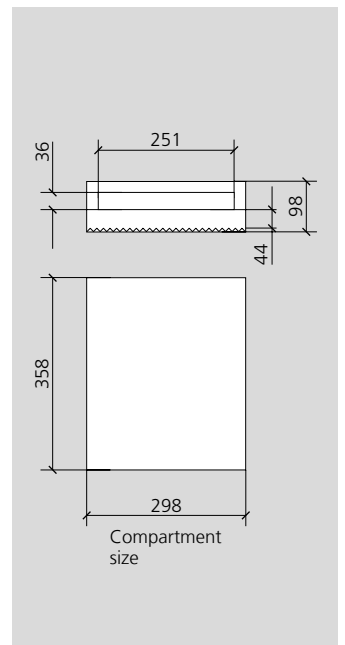
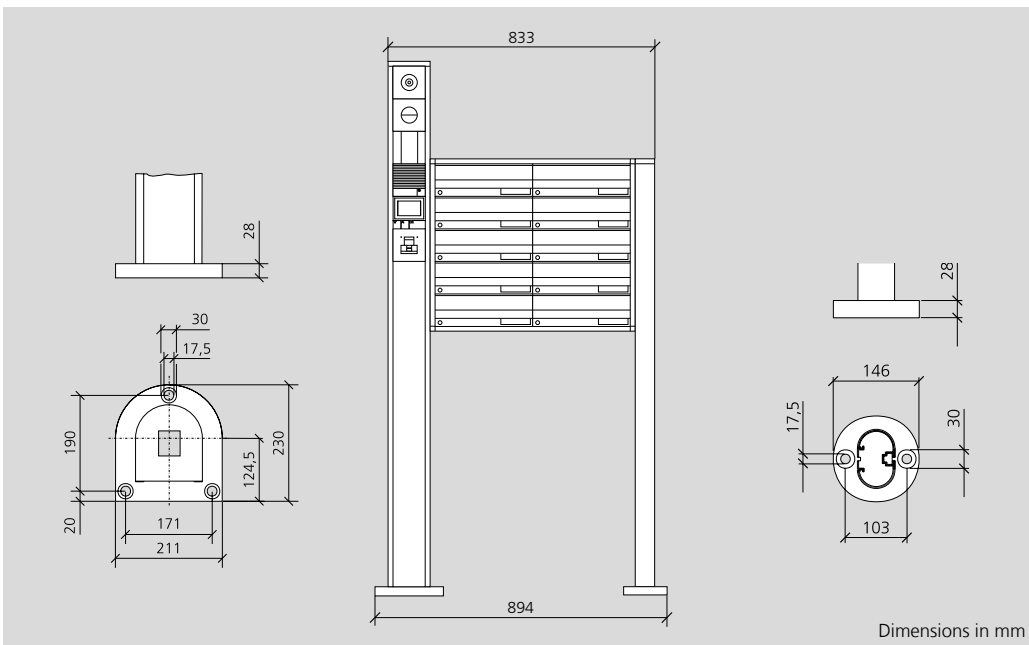


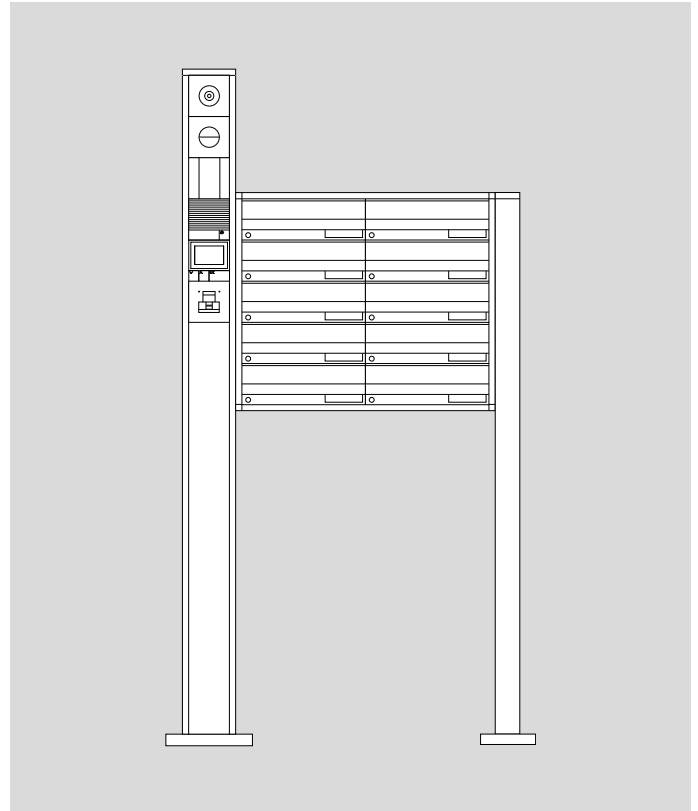
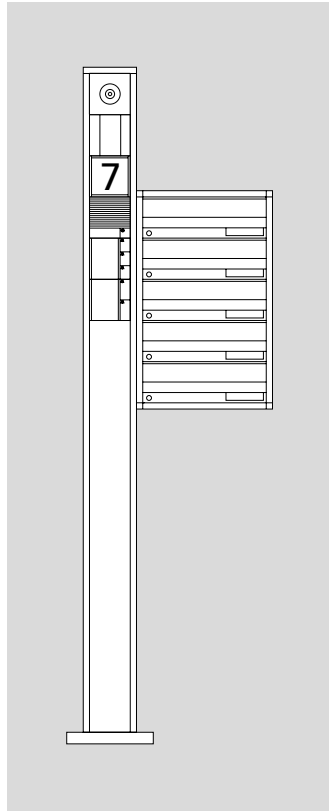
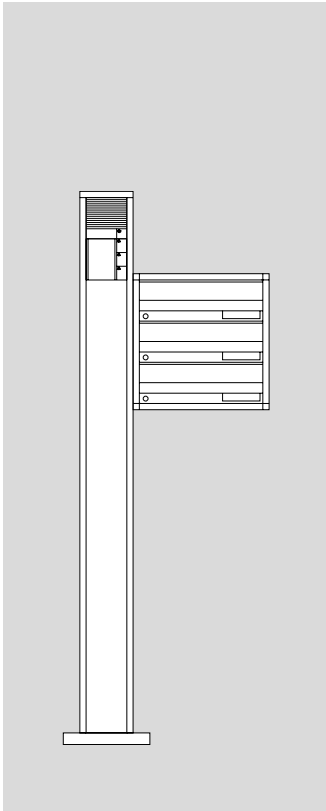
Space-saving letterboxes with removal from the rear, single height

Space-saving letterboxes with removal from the rear, double height

Space-saving letterboxes with removal from the rear, triple height

Dimensions



Order examples

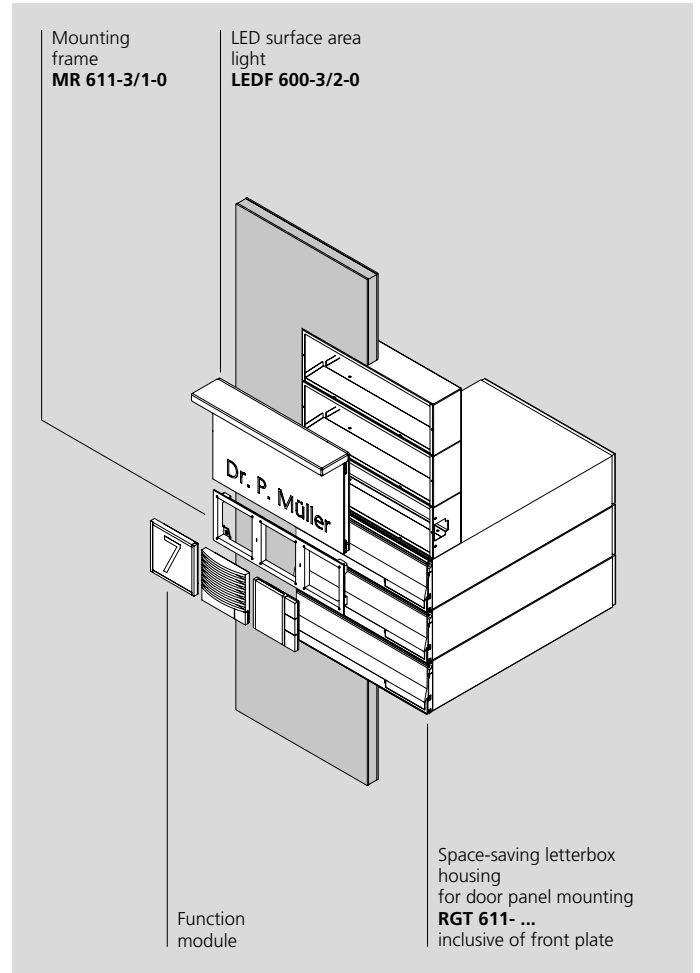
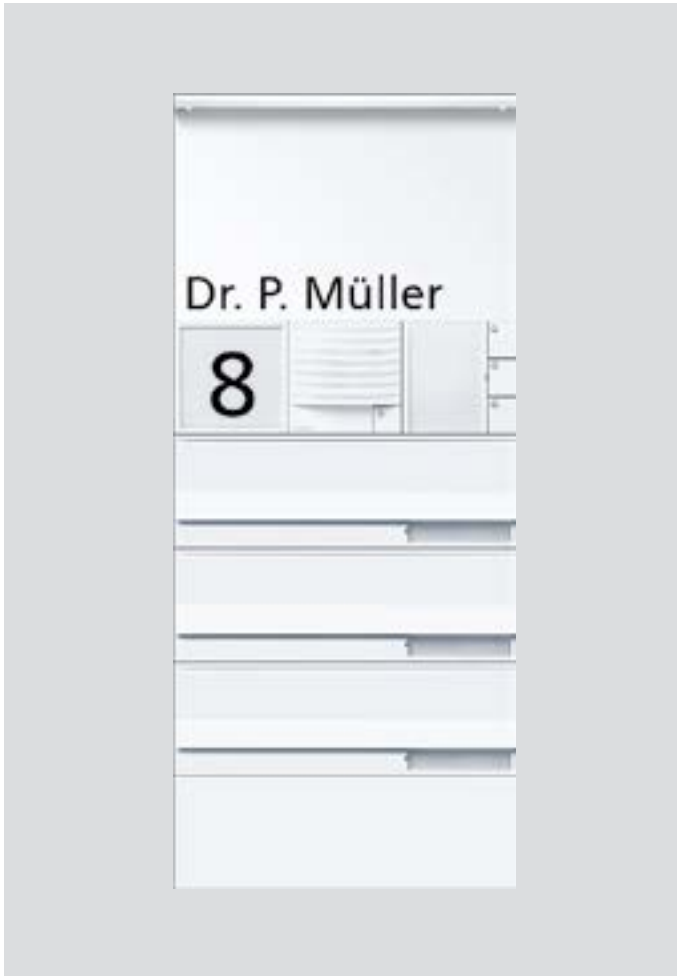
Please get in touch with us to discuss the many varied possibilities available.
See page 320



Siedle Vario Letterbox door panel

Product description	198
Application examples	199
Dimensions	200
Letterbox housing	201

Product description



Wherever entryway communication has to be integrated into a door element, the door panel letterbox provides the basis for a custom-tailored solution. It is available in a number of mounting widths, and it finishes flush with the surrounding door panel.

This mounting variant also integrates all Vario function modules. With this timeless design and free choice of colours, the door panel system blends in perfectly with the style and ambience of the entrance. The letterboxes are available in heights of 100, 200 and 300 mm horizontally, which can be combined individually in a letterbox system.

Vertically, there are two sizes to choose from. Each design complies with DIN EN 13724.

Scope of supply

The door panel mounting systems are supplied from the factory complete with letterbox housing, letter flap, removal safeguard and 24 mm thick thermally insulated front panel in an aluminium sandwich material. All function modules, mounting frames, info sign modules and LED lights are ordered separately in the usual way.

Colour diversity

The front panel and letterboxes are available in the standard colour white (RAL 9016) or in any optional non-standard colour. Please note that all metallic paints can demonstrate marked differences in some cases to doors painted in the same colour due to the necessary wet painting technique used.

Delivery time

White 4 weeks, all other standard colours and non-standard paintwork finishes approx. 6–8 weeks following order placement and full clarification.

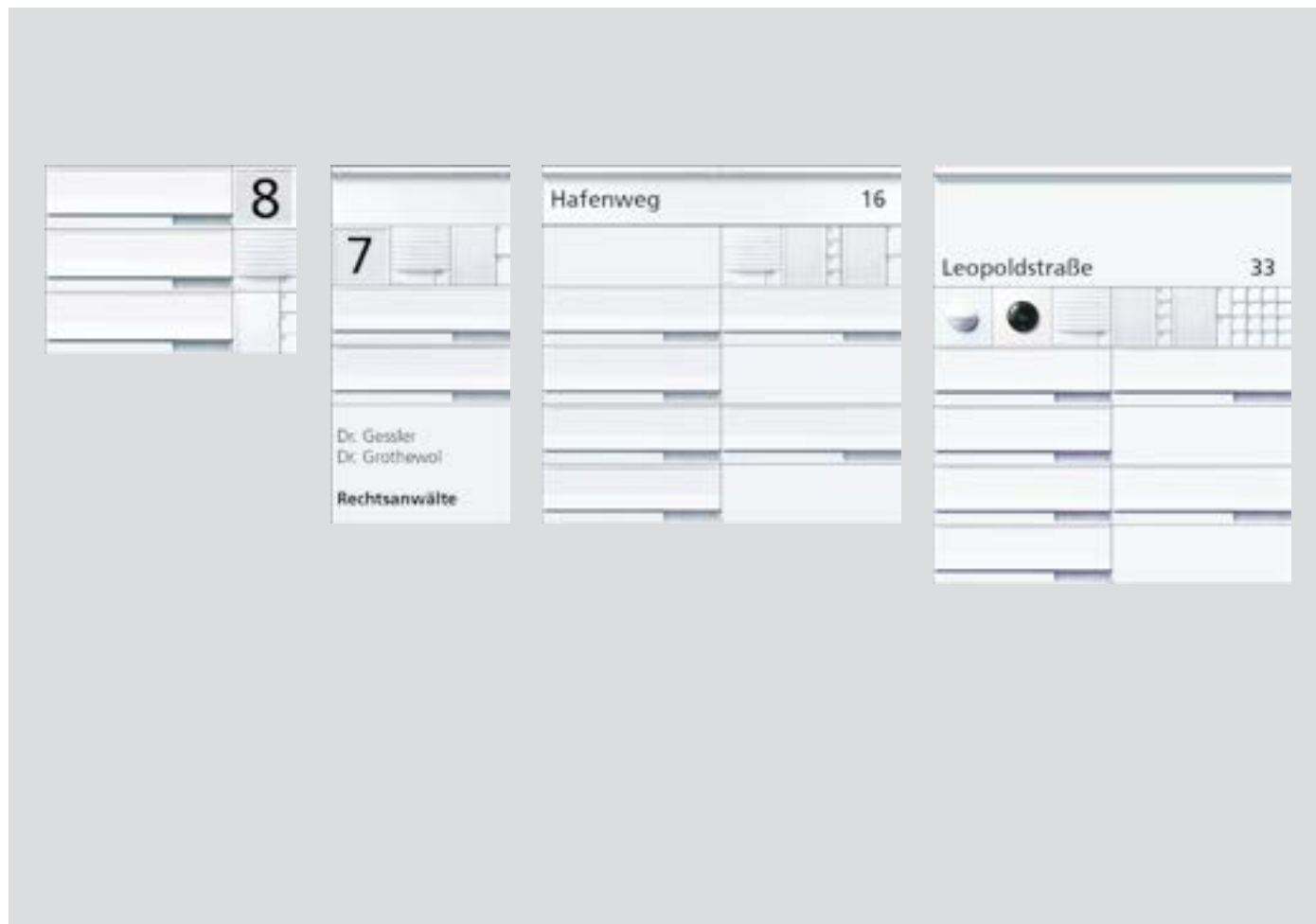
Mounting in existing cut-outs

On request, we offer a solution without composite plate for self installation with an assembled combination frame.

Quotation service

You can send a completed quote template (Download area on the Siedle website) to our Quote service, who will prepare a design proposal and a quote including price and delivery time on the basis of the information provided.

Application examples

**Fig. left**

Compact letterbox unit for small apartment complexes. The function modules are arranged at the side within easy reach of the front door.

Fig. centre left

Living and working under one roof: Separate post for the private apartment and the solicitors' offices. The front cover of the roomy office letterbox doubles up as a company sign. This is included in the scope of delivery and does not need to be separately ordered. The LED surface area light provides the perfect lighting ambience for the door station.

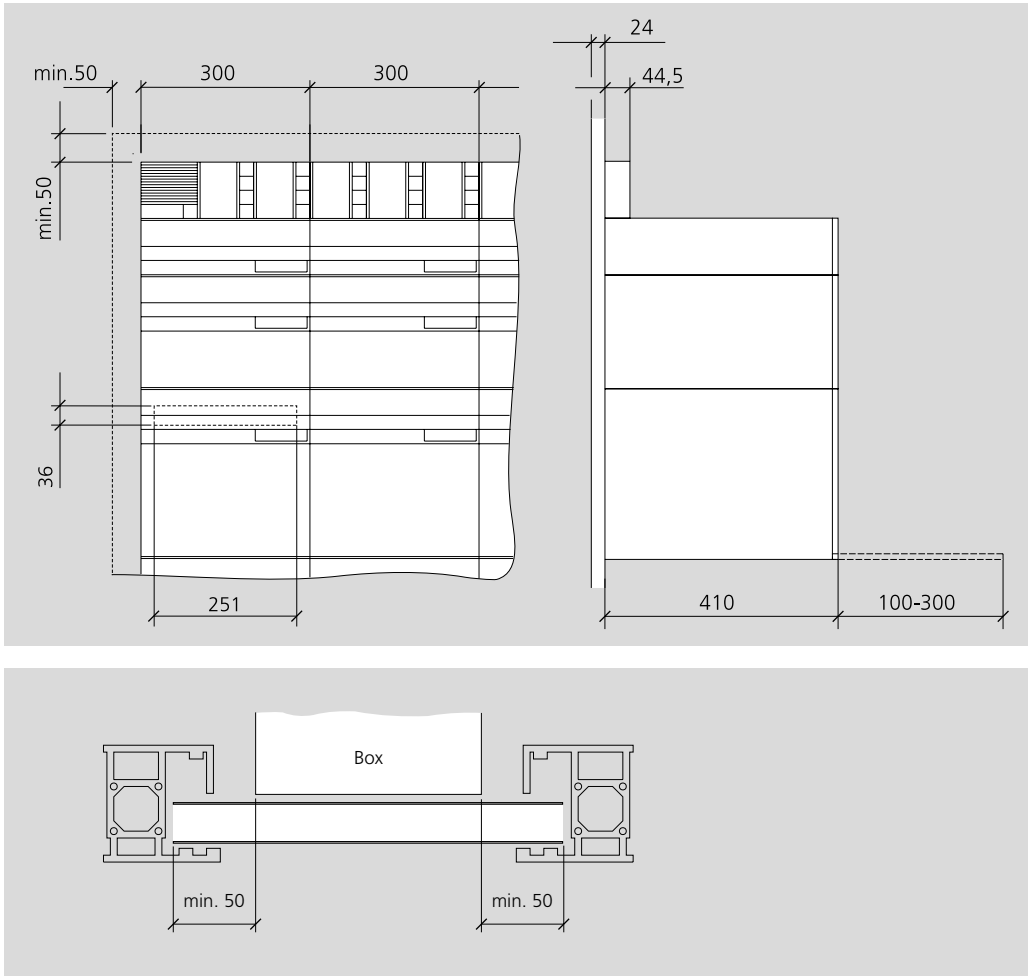
Fig. centre right

A prestigious solution for a combined residential and office building. The commercially used apartments are equipped with large letterboxes 200 mm in height. The fronts of the large letterboxes can be inscribed and are also exchangeable. These are included in the scope of delivery and do not need to be separately ordered.

Fig. right

Same letterbox system, totally different communication requirement. Access control by code lock and movement sensor module for light actuation provide optimum security and convenience.

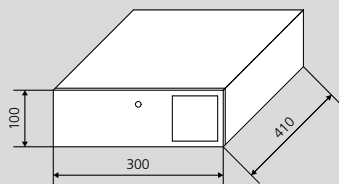
Dimensions



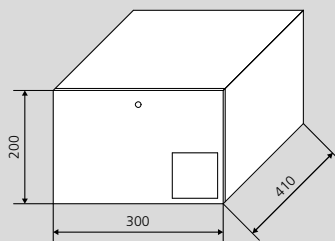
Dimensions in mm

Letterbox housing

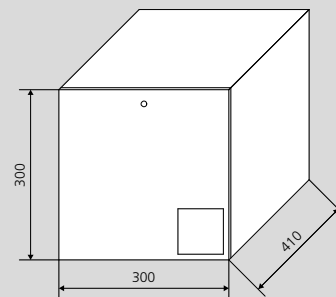
Overall depth: 410 mm



Letterbox 300 x 100 mm

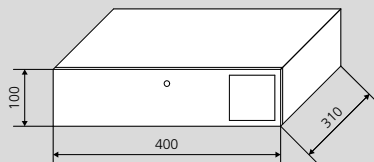


Letterbox 300 x 200 mm

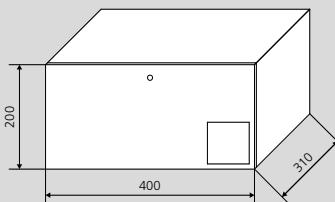


Letterbox 300 x 300 mm

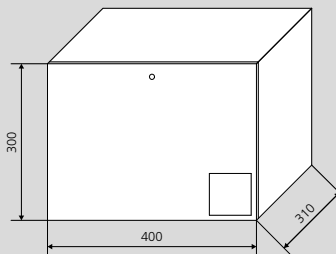
Overall depth: 310 mm



Letterbox 400 x 100 mm

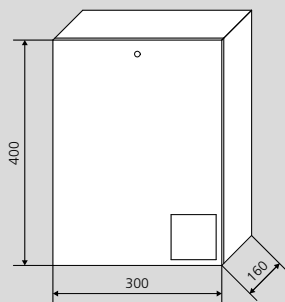


Letterbox 400 x 200 mm

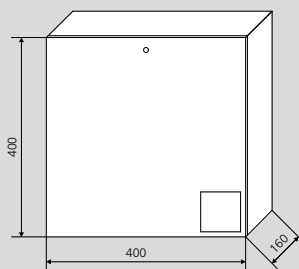


Letterbox 400 x 300 mm

Overall depth: 160 mm



Letterbox 300 x 400 mm



Letterbox 400 x 400 mm

Letterbox in compliance with DIN EN 13724 in the modular system for door panel mounting made of hot-dipped 0.8 mm sheet steel, for mounting side by side or one above the other.

Rear removal door, opening downwards, with cylinder lock, nameplate and inspection window. With connecting screws.



Siedle Classic

Overview	204
Function overview	206
Audio door stations for 1+n technology and In-Home bus	208
Video door stations for In-Home bus	209
Audio/Video door station with supplementary functions	210
Pass-through letterboxes	212
Pass-through letterbox with audio door communication	213
Pass-through letterbox with video door communication	214
Letterbox with front removal	216
Letterbox with front removal Audio door communication	217
Letterbox with front removal Video door communication	218
Classic systems according to requirements	
Planning and ordering	220
Function overview	222
Materials and surfaces	224
Examples of individual systems	226

Overview



A metal range with a system:

The Classic product line is a variable system with a broad range of functions and a wide variety of applications. Siedle Classic provides everything you need at the front door. Alongside the intercom system with bell, the access controls, letterboxes and movement sensor module supplement the audio and video communication functions.

Siedle Classic is available in various standard systems. These are designed to cover the majority of door communication requirements. We are able to supply bespoke solutions on request to address special requirements in terms of design and functionality.

Siedle Classic is the high-grade alternative to Siedle Vario and a lower-cost metal variant in the standard design compared to Siedle Steel. The system offers superb benefits:

- Solidity and luxurious quality of solid metal
- A unique characteristic design signature
- Outstanding quality of the materials and workmanship
- Material and surface finish options
- Low-profile flush mounting



Smart buttons

The nameplate buttons have no visible means of fixture. They can still be easily opened from the front. The metal button available as an optional extra affords even greater protection against vandalism.



Versatile button options

From top to bottom:

- Metal button with laser lettering
- Standard button made of transparent highly resistant plastic
- Engraved metal button
- Engraved metal button with black facing

Siedle Classic is supplied as standard with plastic buttons. These can be simply upgraded by optional metal buttons available as accessories.

Concealed fixture

The fixing screws are recessed and concealed from view. A seal protects against the penetration of moisture.



Storey and building designations

For clear orientation and simple assignment in large properties. The storey identification is carried out in the font size and type of the call button inscription, preferably in the form of laser inscription.

Function overview



Intercom system

Electro-acoustically optimized communication, ideally protected behind the continuous stainless steel front.



Buttons

- Can be exchanged from the front
- Light button made of transparent plastic, illuminated
- Button made of transparent resistant plastic, illuminated



Camera 130

High-resolution colour camera with wide field of vision. Horizontal/vertical pick-up range: appr. 130°/100°.



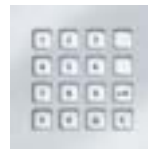
Electronic key reader

Proximity door release, with keys available in the form of cards or key rings.



Fingerprint

Safe, simple, convenient: The finger acts as a key. Climate-resistant, suitable for outdoor use. For up to 100 users.



Code lock

Control centre for access, light and everything with a switching function. Backlit input buttons, acoustic input control.



Pilfer safeguard

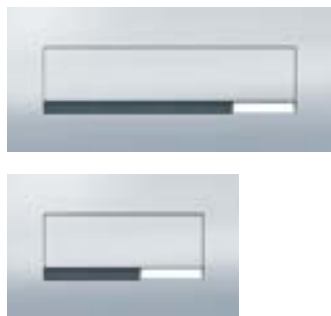
For mounting in the door station as a concealed electromagnetic locking mechanism for the control panel.



Letterbox with front removal

Pass-through flap and removal door in the same material as the front panel, opening towards the front.

The letter flap closes with gently damped action, putting a stop to annoying rattling noises and ensuring that the flap stays firmly shut even in high winds.



Pass-through letterbox

Solid pass-through flap in the same material as the front panel. The mail drops into a shaft and is removed from inside the building. Available in two sizes.



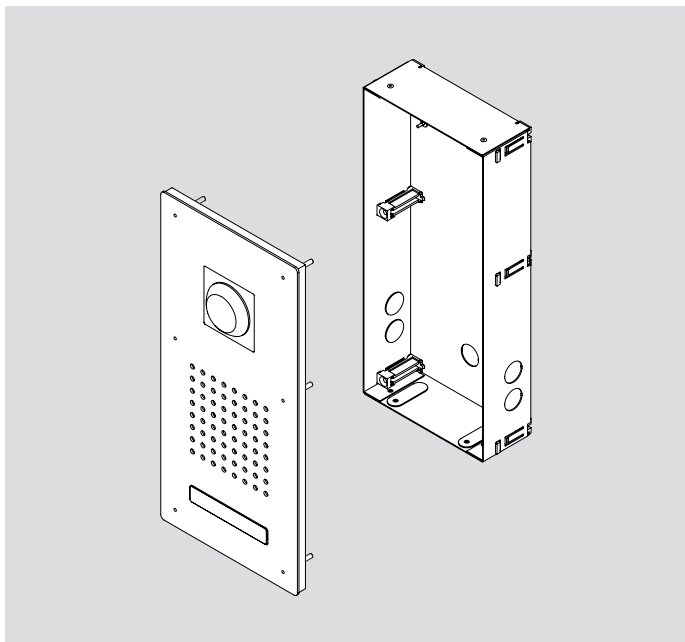
At the back of the pass-through letterbox, the inspection window indicates immediately whether it is worth opening the box.



Brushed stainless steel

All Classic door stations feature a solid, two millimetre thick front panel. They are made of quenched and tempered V4A stainless steel, natural finish and brushed.

Delivery as required



The rough-in installations and the actual installation of the system are often carried out at different points in time. You now have the option of ordering the flush-mount housing separately from the system and installing it in advance. Simply order the front panel when you actually need it.

Important:

Flush-mount housing and front panel must always be ordered separately.

Audio door stations for 1+n technology and In-Home bus

The standard versions of the Classic door stations are supplied as complete pre-assembled function units without housing. They simply need to be wired on site. The standard buttons are LED backlit. The plates are exchanged from the front. If required, a call button can also be used as a potential-free light button. Alternatively, buttons made of solid metal are available as accessories. As standard, a maximum of four call buttons can be included with 1+n technology, while up to eight call buttons can be included with the In-Home bus.

The audio door station is available as standard in 171 millimetre width. By special order, the dimensions can be increased in fixed grid steps to accommodate additional buttons.

Important:

Flush-mount housing and front panel must always be ordered separately.



In-Home bus

F CL A 01 B-0 plug+play 1+n

F CL A 01 N-0

Classic door station with stainless steel front, brushed V4A. Door loudspeaker, 1 call button with backlit nameplate, exchangeable from the front.

Ambient temperature: -20 °C to +55 °C



GU CL 01-0

Housing for flush-mounting made of hot-dip galvanised sheet steel.

Matching housing must be ordered for each front panel.

You can find the associated housing in the table.

Dimensions (mm) W x H x D:

154 x 204 x 65

Designation	Call buttons	System	Dimensions front panel (mm) W x H x D	Housing designation	Dimensions housing (mm) W x H x D
F CL A 01 B-0	1	In-Home bus	171 x 224 x 2	GU CL 01-0	154 x 204 x 65
F CL A 01 N-0	1	1+n	171 x 224 x 2	GU CL 01-0	154 x 204 x 65
F CL A 02 B-0	2	In-Home bus	171 x 250 x 2	GU CL 02-0	154 x 231 x 65
F CL A 02 N-0	2	1+n	171 x 250 x 2	GU CL 02-0	154 x 231 x 65
F CL A 03 B-0	3	In-Home bus	171 x 277 x 2	GU CL 03-0	154 x 257 x 65
F CL A 03 N-0	3	1+n	171 x 277 x 2	GU CL 03-0	154 x 257 x 65
F CL A 04 B-0	4	In-Home bus	171 x 303 x 2	GU CL 04-0	154 x 283 x 65
F CL A 04 N-0	4	1+n	171 x 303 x 2	GU CL 04-0	154 x 283 x 65
F CL A 05 B-0	5	In-Home bus	171 x 329 x 2	GU CL 05-0	154 x 310 x 65
F CL A 06 B-0	6	In-Home bus	171 x 356 x 2	GU CL 06-0	154 x 336 x 65
F CL A 08 B-0	8	In-Home bus	171 x 408 x 2	GU CL 08-0	154 x 388 x 65

Video door stations for In-Home bus

The standard versions of the Classic door stations are supplied as complete pre-assembled function units without housing. They simply need to be wired on site. The standard buttons are LED backlit. The plates are exchanged from the front. If required, a call button can also be used as a potential-free light button. Alternatively, buttons made of solid metal are available as accessories. A maximum of four call buttons can be included in the In-Home bus. The technical specifications of the camera correspond to those of the camera module for the Siedle Vario. If required, an electromagnetic locking device can be installed as a pilfer safeguard. The video door station is available as standard in 171 millimetre width. By special order, the dimensions can be increased in fixed grid steps to accommodate additional buttons.

Important:

Flush-mount housing and front panel must always be ordered separately.



In-Home bus

F CL V130 01 B-01 plug+play

Classic door station for the In-Home bus with stainless steel front, brushed V4A. Door loudspeaker, 1 call button with backlit nameplate, exchangeable from the front, camera 130 with integrated infrared lighting. The technical specifications of the camera correspond to the Vario module BCM 653-...
Ambient temperature: -20 °C to +55 °C



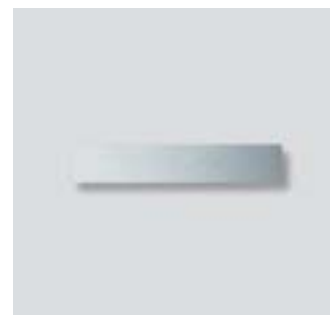
GU CL 06-0

Housing for flush-mounting made of hot-dip galvanised sheet steel. Matching housing must be ordered for each front panel. You can find the associated housing in the table.
Dimensions (mm) W x H x D:
154 x 336 x 65



ZDS/CL

Anti-pilfer accessory for mounting in the Siedle Classic door station as a concealed electromagnetic locking mechanism to secure the mounting screws. With anti-pilfer controller SDSC 602-01 in switch panel housing, for actuation of the anti-pilfer accessory ZDS/CL (for 1 pair), with status LED.
Operating voltage: 12 V AC
Operating current: max. 850 mA
Protection system: IP 20
Ambient temperature:
SDSC 602-01
0 °C to +40 °C,
Locking -20 °C to +55 °C
Horizontal pitch (HP): 3
Dimensions (mm) W x H x D:
SDSC 602-01
53.5 x 89 x 60,
Locking 25 x 70 x 32



ZNSM/CL-02

Metal Classic accessory nameplate made of brushed stainless steel, without inscription for replacing the backlit nameplate fitted as standard, for individual inscription by the customer.

Designation	Call buttons	System	Dimensions front panel (mm) W x H x D	Housing designation	Dimensions housing (mm) W x H x D
F CL V130 01 B-01	1	In-Home bus	171 x 356 x 2	GU CL 06-0	154 x 336 x 65
F CL V130 02 B-01	2	In-Home bus	171 x 382 x 2	GU CL 07-0	154 x 362 x 65
F CL V130 03 B-01	3	In-Home bus	171 x 408 x 2	GU CL 08-0	154 x 388 x 65
F CL V130 04 B-01	4	In-Home bus	171 x 435 x 2	GU CL 09-0	154 x 415 x 65

Audio/Video door station with supplementary functions

We offer popular function combinations to cover a majority of requirements in the standard product range from stock.

Important:

Flush-mount housing and front panel must always be ordered separately.



In-Home bus
F CL AFPM 01 B-0 plug+play
 Classic door station for the In-Home bus with stainless steel front, brushed V4A. Door loudspeaker, 1 call button with backlit nameplate, exchangeable from the front. A fingerprint reader is also integrated as an access control system with LED.
 Ambient temperature: -20 °C to +55 °C



In-Home bus
F CL ACOM 01 B-0 plug+play
 Classic door station for the In-Home bus with stainless steel front, brushed V4A. Door loudspeaker, 1 call button with backlit nameplate, exchangeable from the front. A code lock module is also integrated for access control and control functions.
 Ambient temperature: -20 °C to +55 °C



In-Home bus
F CL AELM 01 B-01 plug+play
 Classic door station for the In-Home bus with stainless steel front, brushed V4A. Door loudspeaker, 1 call button with backlit nameplate, exchangeable from the front. An electronic key reader is also integrated as a no-contact access control system with function LED. The technical specifications of the electronic key reader correspond to the Vario ELM 600-... module.
 Ambient temperature: -20 °C to +55 °C



GU CL 06-0
 Housing for flush-mounting made of hot-dip galvanised sheet steel. Matching housing must be ordered for each front panel. You can find the associated housing in the table.
 Dimensions (mm) W x H x D:
 154 x 336 x 65



ZNSM/CL-02
 Metal Classic accessory nameplate made of brushed stainless steel, without inscription for replacing the backlit nameplate fitted as standard, for individual inscription by the customer.



ZDS/CL
 Anti-pilfer accessory for mounting in the Siedle Classic door station as a concealed electromagnetic locking mechanism to secure the mounting screws. With anti-pilfer controller SDSC 602-01 in switch panel housing, for actuation of the anti-pilfer accessory ZDS/CL (for 1 pair), with status LED.
 Operating voltage: 12 V AC
 Operating current: max. 850 mA
 Protection system: IP 20
 Ambient temperature:
 SDSC 602-01
 0 °C to +40 °C,
 Locking -20 °C to +55 °C
 Horizontal pitch (HP): 3
 Dimensions (mm) W x H x D:
 SDSC 602-01
 53.5 x 89 x 60,
 Locking 25 x 70 x 32



In-Home bus

F CL V130 FPM 01 B-01 plug+play

Classic door station for the In-Home bus with stainless steel front, brushed V4A. Door loudspeaker, 1 call button with backlit nameplate, exchangeable from the front, camera 130 with integrated infrared lighting. The technical specifications of the camera correspond to the Vario module BCM 653-... A fingerprint reader is also integrated as an access control system with LED.

Ambient temperature: -20 °C to +55 °C



In-Home bus

F CL V130 COM 01 B-01 plug+play

Classic door station for the In-Home bus with stainless steel front, brushed V4A. Door loudspeaker, 1 call button with backlit nameplate, exchangeable from the front, camera 130 with integrated infrared lighting. The technical specifications of the camera correspond to the Vario module BCM 653-... A code lock module is also integrated for access control and control functions.

Ambient temperature: -20 °C to +55 °C



In-Home bus

F CL V130 ELM 01 B-01 plug+play

Classic door station for the In-Home bus with stainless steel front, brushed V4A. Door loudspeaker, 1 call button with backlit nameplate, exchangeable from the front, camera 130 with integrated infrared lighting. The technical specifications of the camera correspond to the Vario module BCM 653-... An electronic key reader is also integrated as a no-contact access control system with function LED.

Ambient temperature: -20 °C to +55 °C

Audio door station with supplementary functions

Designation	Call buttons	System	Supplementary functions	Dimensions front panel (mm) W x H x D	Housing designation	Dimensions housing (mm) W x H x D
F CL AFPM 01 B-0	1	In-Home bus	Fingerprint	171 x 356 x 2	GU CL 06-0	154 x 336 x 65
F CL ACOM 01 B-0	1	In-Home bus	Code lock	171 x 356 x 2	GU CL 06-0	154 x 336 x 65
F CL AELM 01 B-01	1	In-Home bus	Electronic key reader	171 x 356 x 2	GU CL 06-0	154 x 336 x 65

Video door station with supplementary functions

Designation	Call buttons	System	Supplementary functions	Dimensions front panel (mm) W x H x D	Housing designation	Dimensions housing (mm) W x H x D
F CL V130 FPM 01 B-01	1	In-Home bus	Fingerprint	171 x 488 x 2	GU CL 10-0	154 x 468 x 65
F CL V130 COM 01 B-01	1	In-Home bus	Code lock	171 x 488 x 2	GU CL 10-0	154 x 468 x 65
F CL V130 ELM 01 B-01	1	In-Home bus	Electronic key reader	171 x 488 x 2	GU CL 10-0	154 x 468 x 65

Pass-through letterboxes

Letterboxes of the Classic design line can be used as separate components or in combination with additional functional modules. We offer letterbox systems in popular sizes and combinations as standard articles. Siedle letterboxes naturally comply with European standard DIN EN 13724.

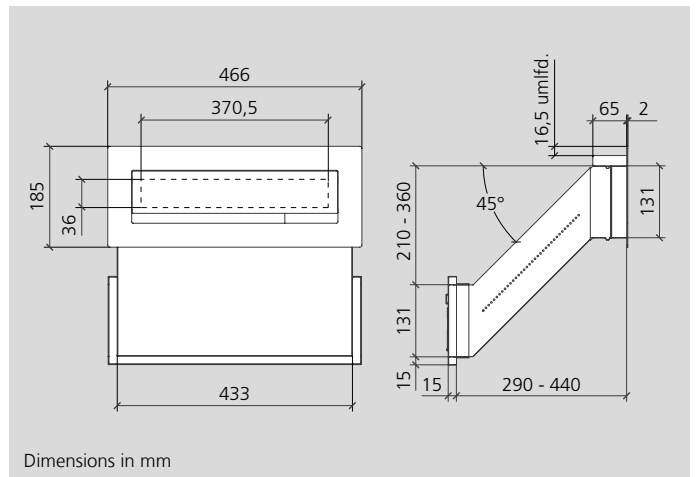
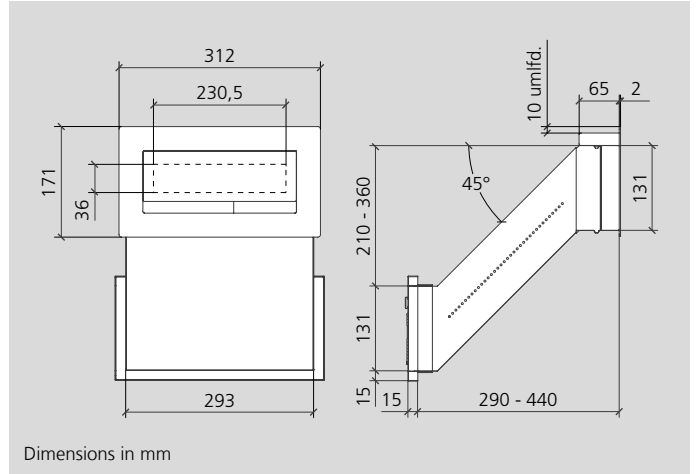
Important:

Flush-mount housing and front panel must always be ordered separately.



F CL BD2 01

Classic pass-through letterbox with a pass-through flap. Front in brushed V4A stainless steel.



GU CL BD2 01

Housing for flush-mounting made of hot-dip galvanised sheet steel. Matching housing must be ordered for each front panel. You can find the associated housing in the table. Dimensions (mm) W x H x D: 293 x 151 x 290-440

- Front panel:
- 2 mm V4A natural brushed steel
 - Pass-through flap:
 - With integrated damping action
 - Material as for the front panel 1.5 mm
 - Pass-through letterbox
 - 0.8 mm hot-dip galvanized sheet steel, 45° in inclined arrangement, extendable from 290 - 440 mm

- Pass-through shaft 1 mm V4A steel
- Rear removal door, opening downwards, with cylinder lock, nameplate and inspection window
- 15 mm plaster frame all round

Designation	Call buttons/ Pass-through flaps	System	Dimensions front panel (mm) W x H x D	Housing designation	Dimensions housing (mm) W x H x D
F CL BD2 01	1	System-neutral	312 x 171 x 2	GU CL BD2 01	293 x 151 x 290-440
F CL BD3 01	1	System-neutral	466 x 185 x 2	GU CL BD3 01	433 x 151 x 290-440

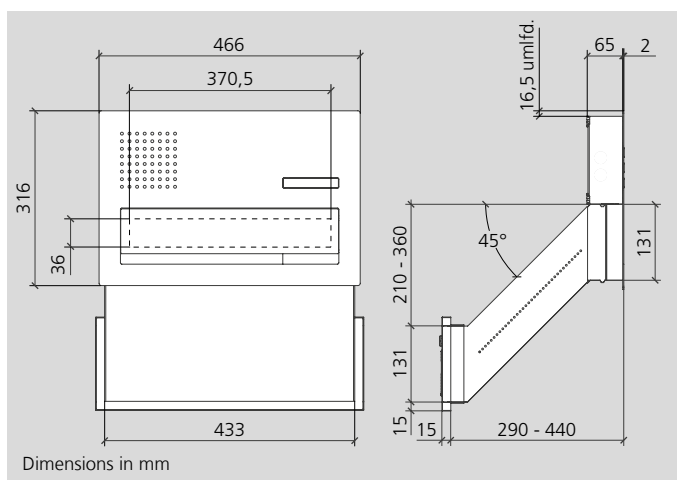
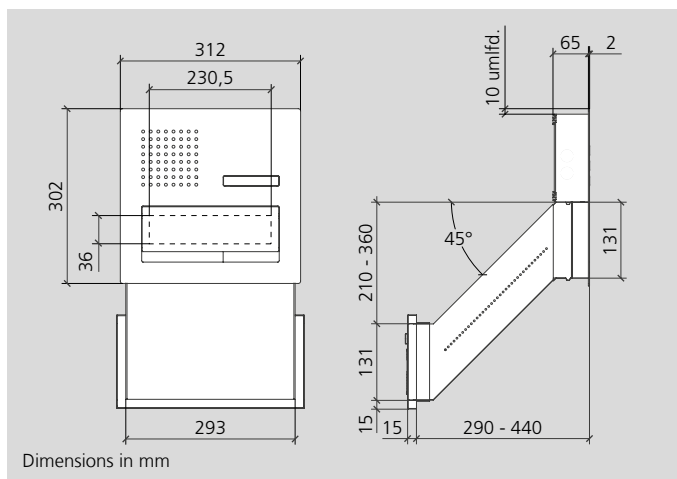
Pass-through letterbox with audio door communication

In many cases, it makes sense to combine letterboxes and door communication in a single location and a single housing. Popular sizes and combinations are listed on these pages as standard articles which can be ordered straight from stock. Siedle letterboxes naturally comply with European standard DIN EN 13724.



Important: Flush-mount housing and front panel must always be ordered separately.

In-Home bus
F CL BD2A 01 B-0 plug+play
 Classic pass-through letterboxes for the In-Home bus with pass-through flap. Door loudspeaker, 1 call button with backlit nameplate, exchangeable from the front. Front in brushed V4A stainless steel.
 Ambient temperature: -20 °C to +55 °C



Note
 Please note the information regarding installation conditions on the following pages.

GU CL BD2A 01 B-0
 Housing for flush-mounting made of hot-dip galvanized sheet steel. Matching housing must be ordered for each front panel. You can find the associated housing in the table.
 Dimensions (mm) W x H x D:
 293 x 282 x 290-440

- Front panel:
- 2 mm V4A natural brushed steel
 - Pass-through flap:
 - With integrated damping action
 - Material as for the front panel 1.5 mm
 - Flush-mount housing
 - 1.25 mm hot-dip galvanized sheet steel
 - Pass-through letterbox
 - 0.8 mm hot-dip galvanized sheet steel, 45° in inclined arrangement, extendable from 290 - 440 mm
- Pass-through shaft 1 mm V4A steel
 - Rear removal door, opening downwards, with cylinder lock, nameplate and inspection window
 - 15 mm plaster frame all round

Designation	Call buttons/ Pass-through flaps	System	Dimensions front panel (mm) W x H x D	Housing designation	Dimensions housing (mm) W x H x D
F CL BD2A 01 B-0	1	In-Home bus	312 x 302 x 2	GU CL BD2A 01 B-0	293 x 282 x 290-440
F CL BD3A 01 B-0	1	In-Home bus	466 x 316 x 2	GU CL BD3A 01 B-0	433 x 293 x 290-440

Pass-through letterbox with video door communication

In many cases, it makes sense to combine letterboxes and door communication in a single location and a single housing. Popular sizes and combinations are listed on these pages as standard articles which can be ordered straight from stock. Siedle letterboxes naturally comply with European standard DIN EN 13724.



Important:

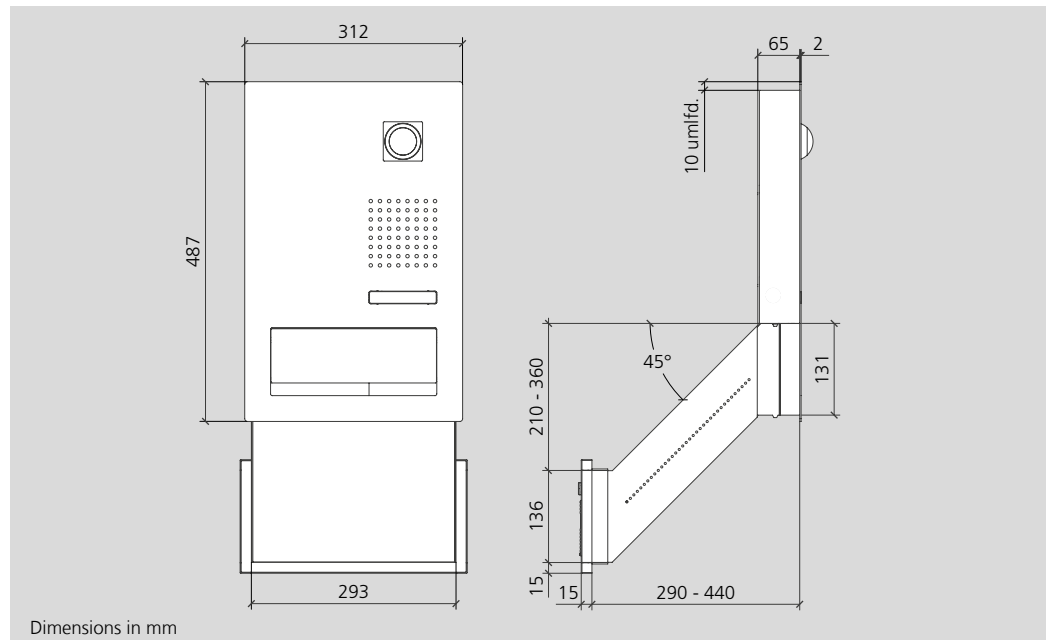
Flush-mount housing and front panel must always be ordered separately.

In-Home bus

F CL BD2V130 01 B-01 plug+play
 Classic pass-through letterbox for the In-Home bus with pass-through flap. Door loudspeaker, 1 call button with backlit nameplate, exchangeable from the front, camera 130 with integrated infrared lighting. The technical specifications of the camera correspond to the Vario module BCM 653-... Front in brushed V4A stainless steel.
 Ambient temperature: -20 °C to +55 °C
 Dimensions front panel (mm) W x H x D:
 312 x 487 x 2

GU CL BD2V130 01 B-0

Housing for flush-mounting made of hot-dip galvanized sheet steel. Matching housing must be ordered for each front panel.
 Dimensions (mm) W x H x D:
 293 x 467 x 290-440



- Front panel:
 - 2 mm V4A natural brushed steel
 - Video camera with wide-angle lens
- Pass-through flap:
 - With integrated damping action
 - Material as for the front panel 1.5 mm
- Flush-mount housing
 - 1.25 mm hot-dip galvanized sheet steel
- Pass-through letterbox
 - 0.8 mm hot-dip galvanized sheet steel, 45° in inclined arrangement, extendable from 290 - 440 mm
- Pass-through shaft 1 mm V4A steel
- Rear removal door, opening downwards, with cylinder lock, nameplate and inspection window
- 15 mm plaster frame all round

**ZNSM/CL-02**

Metal Classic accessory nameplate made of brushed stainless steel, without inscription for replacing the backlit nameplate fitted as standard, for individual inscription by the customer.

**ZDS/CL**

Anti-pilfer accessory for mounting in the Siedle Classic door station as a concealed electromagnetic locking mechanism to secure the mounting screws. With anti-pilfer controller SDSC 602-01 in switch panel housing, for actuation of the anti-pilfer accessory ZDS/CL (for 1 pair), with status LED.

This can be mounted in any system with one or more function modules, in vertical arrangement.

For mounting in the door station as a concealed electromagnetic locking mechanism for the control panel.

Operating voltage: 12 V AC

Operating current: max. 850 mA

Protection system: IP 20

Ambient temperature:

SDSC 602-01

0 °C to +40 °C,

Locking -20 °C to +55 °C

Horizontal pitch (HP): 3

Dimensions (mm) W x H x D:

SDSC 602-01

53.5 x 89 x 60,

Locking 25 x 70 x 32

Remarks**Rain**

Letterbox systems are sealed towards the front. They are protected against the effects of splash water and normal rainfall. For unprotected and exposed mounting situations with frequent exposure to driving rain (e.g. in coastal areas), take suitable construction measures when installing to achieve optimum rain protection.

Removal side in the outside area

When mounting a letterbox system with pass-through letterbox outside, e.g. in a garden wall, a rail guard or suitable wall recess with drip edge must be provided by the client on the removal side.

Ambient moisture

Natural stone and concrete have the ability to store moisture. The protracted effect of moisture can result in damage to the housing. Direct contact with concrete, plaster or similar building materials can result in increased corrosion due to chemical reactions.

When installing for instance in garden walls, we recommend providing additional protection against moisture into the compartments by using a suitable protective film or a coating.

Effect of pressure

Housings can be deformed by the weight of wet concrete and/or by the compaction process. Suitable support measures should therefore be provided for in the box.

Letterbox with front removal

Letterboxes of the Classic design line can be used as separate components or in combination with additional functional modules. We offer letterbox systems in popular sizes and combinations as standard articles. Siedle letterboxes naturally comply with European standard DIN EN 13724.



F CL BF3 01

Classic letterbox with removal from the front. Front in brushed V4A stainless steel. The nameplate is located under the letterbox flap. Convenient post removal door which brakes automatically at a predetermined angle, safety lock with 2 keys. Dimensions front panel (mm) W x H x D: 466 x 466 x 2

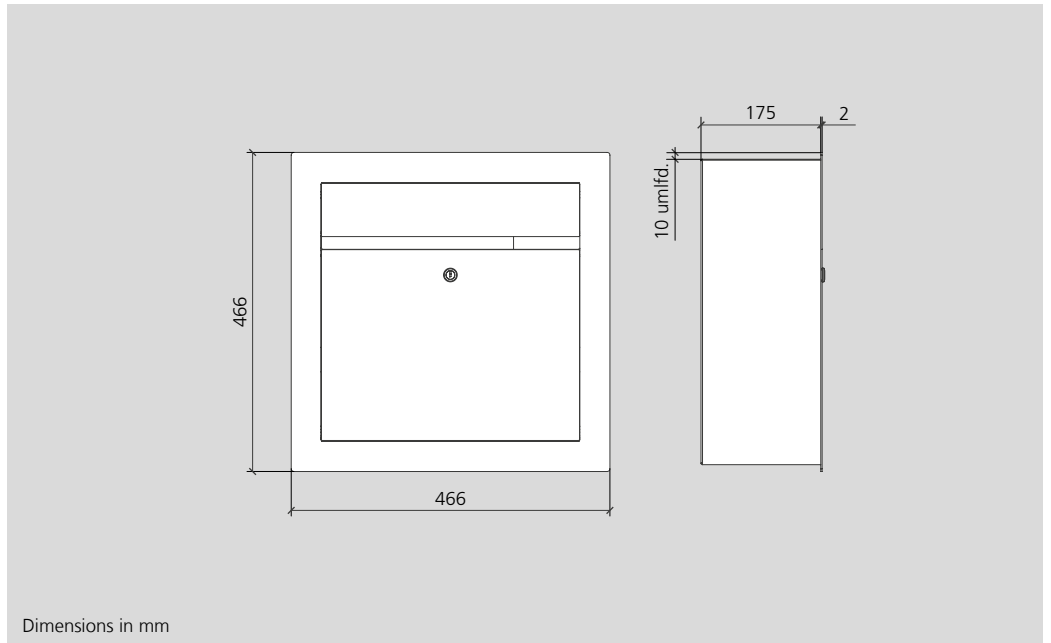


GU CL BF3 01

Housing for flush-mounting made of hot-dip galvanized sheet steel. Matching housing must be ordered for each front panel. You can find the associated housing in the table. Dimensions (mm) W x H x D: 446 x 446 x 175

Important:

Flush-mount housing and front panel must always be ordered separately.



- Front panel:
 - 2 mm V4A natural brushed steel
- Pass-through flap:
 - With integrated damping action
- Pass-through flap and front removal door:
 - Material as for the front panel
- Flush-mount housing
 - 1.5 mm hot-dip galvanized sheet steel
- Indoor letterbox housing:
 - Material 1 mm stainless steel

**Letterbox with front removal
Audio door communication**

In many cases, it makes sense to combine letterboxes and door communication in a single location and a single housing. Popular sizes and combinations are listed on these pages as standard articles which can be ordered straight from stock. Siedle letterboxes naturally comply with European standard DIN EN 13724.

Important:

Flush-mount housing and front panel must always be ordered separately.



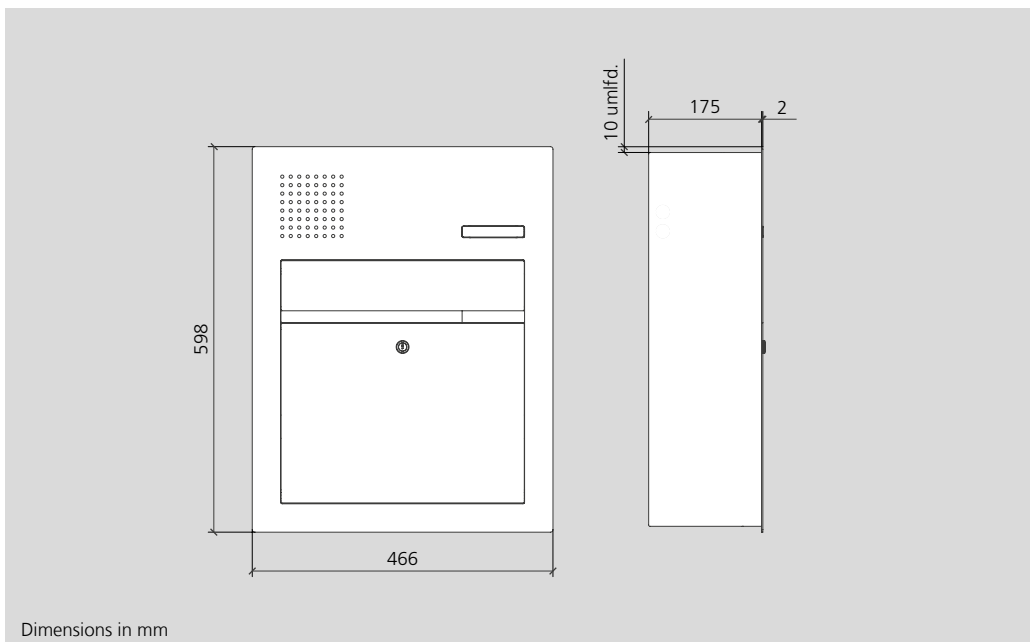
**In-Home bus
F CL BF3A 01 B-0 plug+play**
Classic letterbox for removal from the front for the In-Home bus. Front in brushed V4A stainless steel. Door loud-speaker, 1 call button. The nameplate is located under the pass-through flap. Convenient post removal door which brakes automatically at a predetermined angle, safety lock with 2 keys. Ambient temperature: -20 °C to +55 °C
Dimensions front panel (mm) W x H x D:
466 x 598 x 2



GU CL BF3A 01 B-0
Housing for flush-mounting made of hot-dip galvanised sheet steel. Matching housing must be ordered for each front panel.
Dimensions (mm) W x H x D:
446 x 578 x 175

Note

Please note the information regarding installation conditions on the following pages.



- Front panel:
- 2 mm V4A natural brushed steel
- Pass-through flap:
- With integrated damping action
- Pass-through flap and front removal door:
- Material as for the front panel 1.5 mm
- Flush-mount housing
- 1.25 mm hot-dip galvanized sheet steel
- Indoor letterbox housing:
- Material 1 mm stainless steel

**Letterbox with front removal
Video door communication**

In many cases, it makes sense to combine letterboxes and door communication in a single location and a single housing. Popular sizes and combinations are listed on these pages as standard articles which can be ordered straight from stock. Siedle letterboxes naturally comply with European standard DIN EN 13724.

Important:

Flush-mount housing and front panel must always be ordered separately.



GU CL BF3V130 01 B-0

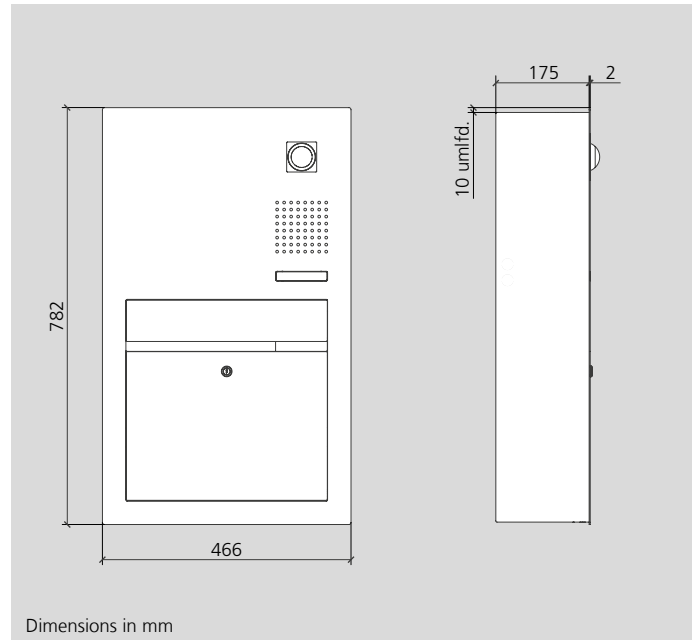
Housing for flush-mounting made of hot-dip galvanised sheet steel. Matching housing must be ordered for each front panel.
Dimensions (mm) W x H x D:
446 x 762 x 175

In-Home bus

F CL BF3V130 01 B-01 plug+play

Classic letterboxes with front removal for the In-Home bus. Front in brushed V4A stainless steel. Door loudspeaker, 1 call button. Camera 130 with integrated infrared lighting. The technical specifications of the camera correspond to the Vario module BCM 653-... The nameplate is located under the pass-through flap. Convenient post removal door which brakes automatically at a predetermined angle, safety lock with 2 keys.

Ambient temperature: -20 °C to +55 °C
Dimensions front panel (mm) W x H x D:
466 x 782 x 2



- Front panel:
- 2 mm V4A natural brushed steel
 - Video camera with wide-angle lens
- Pass-through flap:
- With integrated damping action
- Pass-through flap and front removal door:
- Material as for the front panel 1.5 mm
- Flush-mount housing
- 1.25 mm hot-dip galvanized sheet steel
- Indoor letterbox housing:
- Material 1 mm stainless steel

**ZNSM/CL-02**

Metal Classic accessory nameplate made of brushed stainless steel, without inscription for replacing the backlit nameplate fitted as standard, for individual inscription by the customer.

**ZDS/CL**

Anti-pilfer accessory for mounting in the Siedle Classic door station as a concealed electromagnetic locking mechanism to secure the mounting screws. With anti-pilfer controller SDSC 602-01 in switch panel housing, for actuation of the anti-pilfer accessory ZDS/CL (for 1 pair), with status LED.

This can be mounted in any system with one or more function modules, in vertical arrangement.

For mounting in the door station as a concealed electromagnetic locking mechanism for the control panel.

Operating voltage: 12 V AC

Operating current: max. 850 mA

Protection system: IP 20

Ambient temperature:

SDSC 602-01

0 °C to +40 °C,

Locking -20 °C to +55 °C

Horizontal pitch (HP): 3

Dimensions (mm) W x H x D:

SDSC 602-01

53.5 x 89 x 60,

Locking 25 x 70 x 32

Remarks**Rain**

Letterbox systems are sealed towards the front. They are protected against the effects of splash water and normal rainfall. For unprotected and exposed mounting situations with frequent exposure to driving rain (e.g. in coastal areas), take suitable construction measures when installing to achieve optimum rain protection.

Ambient moisture

Natural stone and concrete have the ability to store moisture. The protracted effect of moisture can result in damage to the housing. Direct contact with concrete, plaster or similar building materials can result in increased corrosion due to chemical reactions.

When installing for instance in garden walls, we recommend providing additional protection against moisture into the compartments by using a suitable protective film or a coating.

Effect of pressure

Housings can be deformed by the weight of wet concrete and/or by the compaction process. Suitable support measures should therefore be provided for in the box.

Planning and ordering



If the standard variants don't fulfil your needs, the Siedle Classic system gives you the option of configuring a system to suit your requirements. It is fully configured by Siedle and supplied ready to connect. The examples given on the following pages provide an insight into the possibilities. The following step-by-step guide is intended to make it as easy as possible to put together your Classic system.

The catalogue is only designed to provide inspiration and ideas. If you have any ideas or requirements which are not included in the catalogue, then why not give us a call or visit us in one of the Siedle Centres? Our advisors will be pleased to help you to implement your plans.

Step 1:

Functions

What do you want the system to be able to do? The functional overview illustrates the entire spectrum at a glance. A tip: When equipping the unit, remember the electromagnetic pilfer safeguard!

Step 2:

Materials and surfaces

Other materials and coatings are available for Siedle Classic in addition to brushed stainless steel. You can find an overview of these on the following pages.

Step 3:

Lettering

Siedle Classic offers different inscription possibilities. On request, the call buttons can be inscribed to a professional standard of quality by our lettering service. We apply street names and house numbers using flush, modern laser marking. Storeys and building designations are also inscribed using this advanced method. As an alternative, we offer high-contrast foil lettering, which is particularly suitable for inscriptions that need to be changed frequently.

Step 4:

Installation system

Please let us know which system you are using so that we can plan to include all the necessary components.

Step 5:**Outside dimensions**

If you require the door station to have certain dimensions, we will be pleased to comply - depending on which dimensions the design grid and manufacturing process allow.

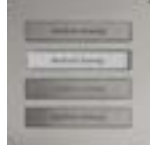
Finally:**Quotation service**

You can send a completed quote template (Download area on the Siedle website) to our Quote service, who will prepare a design proposal and a quote including price and delivery time on the basis of the information provided.

Function overview



Intercom system
Electro-acoustically optimized communication, ideally protected behind the continuous stainless steel front.



Buttons
From top to bottom:

- Metal button with laser lettering
- Standard button made of transparent highly resistant plastic
- Engraved metal button
- Engraved metal button with black facing



Camera 130/180
High-resolution colour camera with wide field of vision. Horizontal/vertical pick-up range: appr. 130°/100° or 175°/120°.



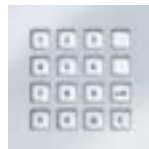
Camera 80
Colour camera with adjustable wide-angle lens. Effective horizontal/vertical pick-up range: 80°/60°, additional mechanical adjustment by 30°.



Electronic key reader
Proximity door release, with keys available in the form of cards or key rings.



Fingerprint
Safe, simple, convenient: The finger acts as a key. Climate-resistant, suitable for outdoor use. For up to 100 users.



Code lock
Control centre for access, light and everything with a switching function. Backlit input buttons, acoustic input control.



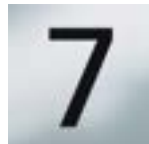
Call display
For large-scale properties: The display replaces rows of bells. Digital name selection with intuitive operation.



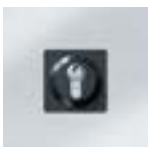
Status display
Four backlit LED symbols signal the different statuses: "Call", "Not available", "Speech" and "Door release".



Movement sensor with photoelectric switch
Responds to people and/or ambient brightness, and for example switches on the light.



House number
Laser or foil lettering.



Key-operated switch
Seamless integration of all standard profile half-cylinders.



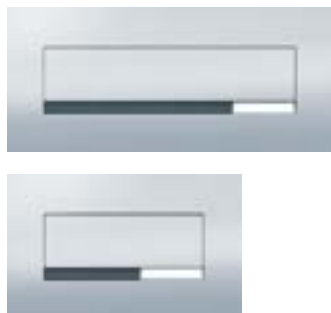
Pilfer safeguard
For mounting in the door station as a concealed electromagnetic locking mechanism for the control panel.



Letterbox with front removal

Pass-through flap and removal door in the same material as the front panel, opening towards the front.

The letter flap closes with gently damped action, putting a stop to annoying rattling noises and ensuring that the flap stays firmly shut even in high winds.



Pass-through letterbox

Solid pass-through flap in the same material as the front panel. The mail drops into a shaft and is removed from inside the building. Available in two sizes.

The nameplate strip on the Classic letterboxes can also be fitted with the nameplate positioned optionally on the left.



At the back of the pass-through letterbox, the inspection window indicates immediately whether it is worth opening the box.

Mail notification system



"You have mail"

The letterbox signals whether mail has arrived: If the pass-through flap of the letterbox is opened, a signal is transmitted to the indoor station. The station indicates the message until the removal door at the letterbox is opened.

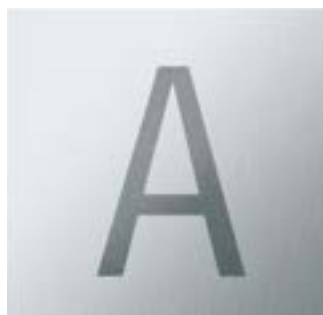
The mail notification system is available for letterboxes in the Siedle Steel and Classic design lines. It is supplied completely pre-installed, no retrofitting is possible.

Available for the In-Home bus and Siedle Access.



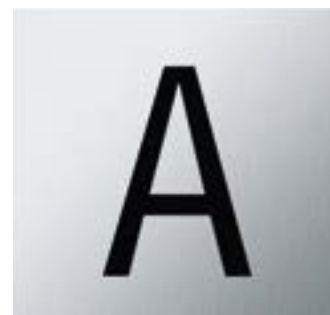
The deluxe indoor station indicates with an LED that the pass-through flap has been opened at the letterbox.

Inscriptions



Laser inscription

Standard inscription for call buttons made of metal, storey and building identification, street names and house numbers. As the laser permanently changes the material, subsequent modifications are not possible.



Film lettering

High-contrast street names and house numbers. Particularly suitable for changing inscriptions, as the film can be removed without damaging the surface. For lettering sizes from 10 mm.

Materials and surfaces



Brushed stainless steel

All Classic door stations feature a solid, two millimetre thick front panel. They are made of quenched and tempered V4A stainless steel, natural finish and brushed.



Burnished brass

This material lends a traditional note to modern design. Colour inconsistencies, blemishes and a characteristic patina are among the natural properties of this material. These do not influence the functional characteristics or life of the system.



Aluminium

Anodized in natural aluminium colour (EV1).



Painted stainless steel

If required we can supply Siedle Classic in any required RAL shade (standard degree of gloss silk matt) or with a structured micaceous paintwork finish. The substrate is stainless steel, the paintwork finishes and workmanship comply with the most stringent durability and resistance requirements for outdoor use.

**PVD black**

PVD surface finishes on brushed stainless steel. In contrast to paint, the extremely thin PVD layer emphasises the texture and processing quality of the brushed stainless steel. The velvety gleaming, metallic colours change with the light. They are scratch and weather-resistant as well as easy to clean.

**PVD copper****PVD brass****PVD titanium****Please note:**

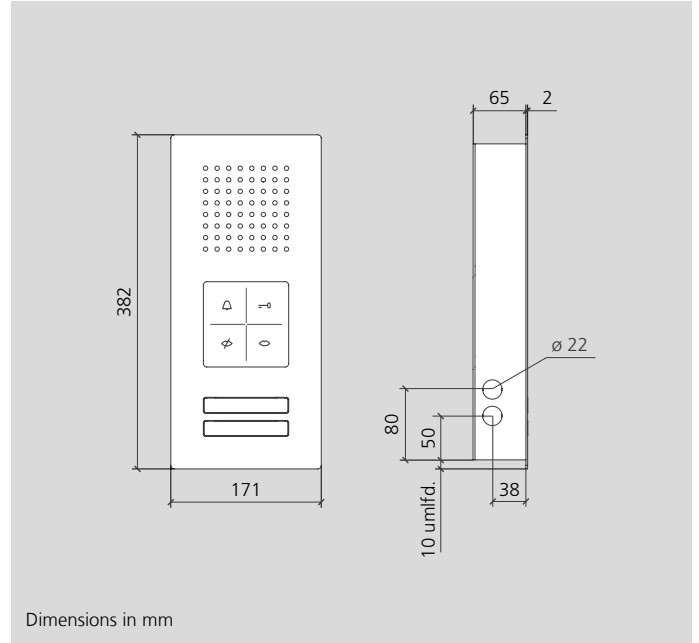
The function modules are always configured in a black silk matt (RAL 9011) finish for Siedle Classic. The material and design options refer exclusively to the metal fronts.

Examples of individual systems

The modular structure of the new Classic permits a wide range of configurations and design variants in addition to the range of standard systems. The following pages feature system examples demonstrating the extensive possibilities on offer.

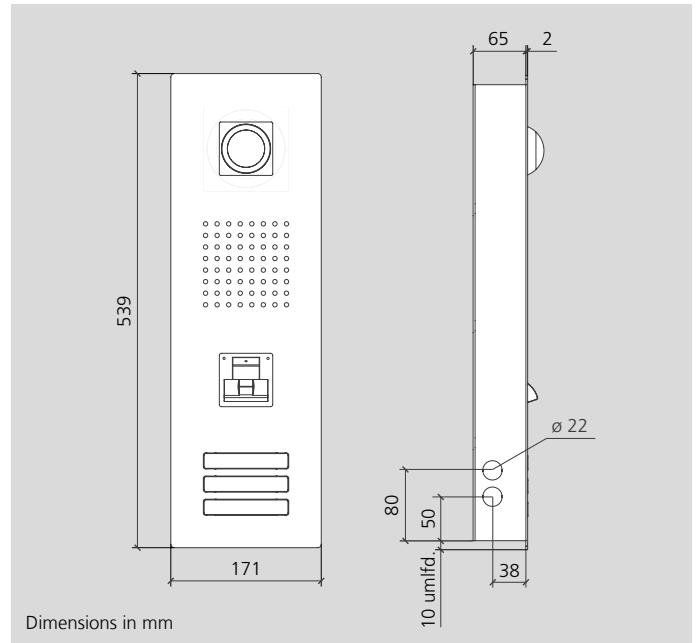
For all individual systems, the associated flush-mount housing is already included in the scope of supply.

For more information on materials and surface finishes: see page 224.



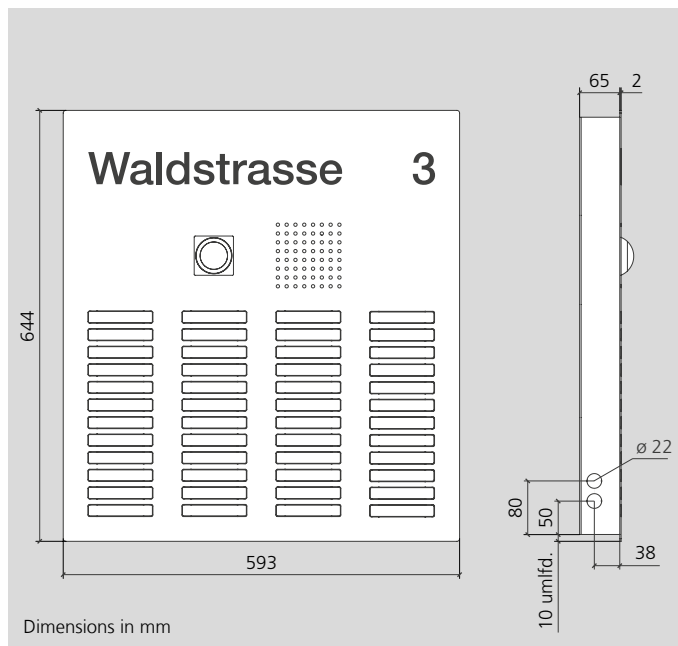
Dimensions in mm

- Front panel:
- 2 mm V4A natural brushed steel
 - Status display as an optical indication of operating status
- Flush-mount housing
- 1.25 mm hot-dip galvanized sheet steel

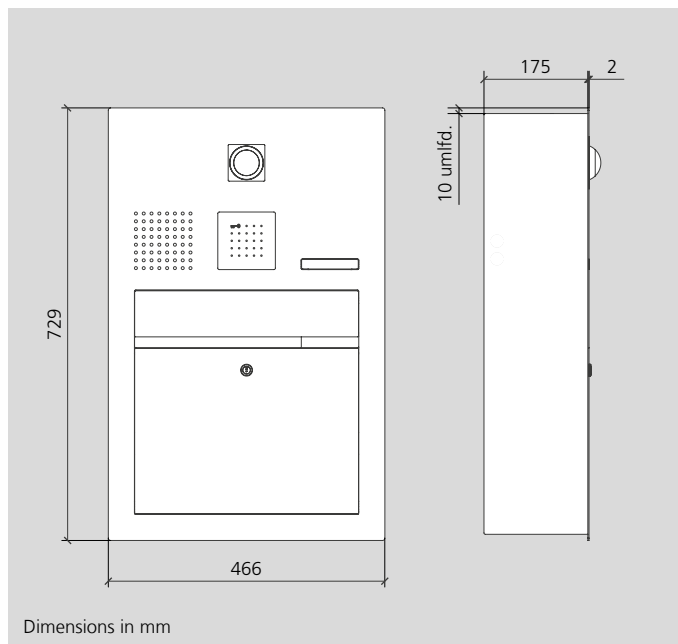


Dimensions in mm

- Front panel:
- 2 mm V4A natural brushed steel
 - Video camera with wide-angle lens
 - Fingerprint module, keyless access for up to 100 users
- Flush-mount housing
- 1.25 mm hot-dip galvanized sheet steel



- Front panel:
- 2 mm V4A natural brushed steel
 - Video camera with mechanically adjustable wide-angle lens
 - Laser marked house number
- Flush-mount housing:
- 1.25 mm hot-dip galvanized sheet steel



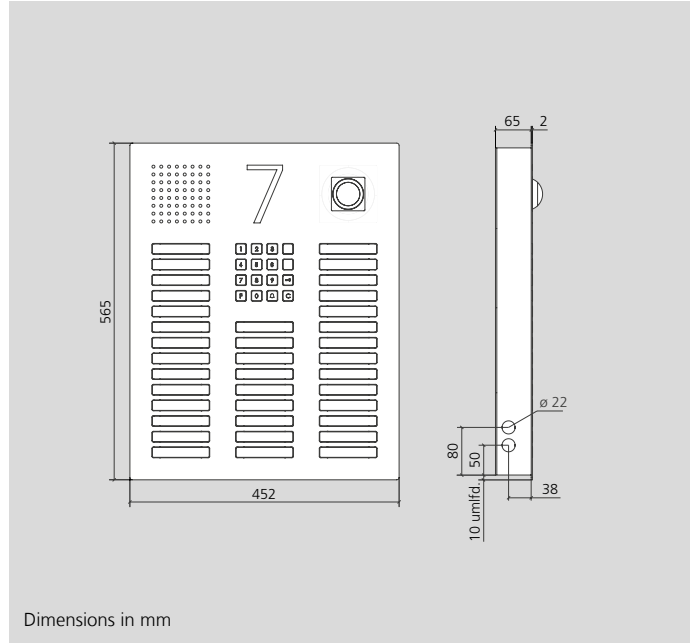
- Front panel:
- 2 mm V4A natural brushed steel
 - Video camera with mechanically adjustable wide-angle lens
 - Electronic key reader as a no-contact door release
- Pass-through flap:
- With integrated damping action
- Pass-through flap and front removal door:
- Material as for the front panel 1.5 mm
- Flush-mount housing
- 1.25 mm hot-dip galvanized sheet steel

Examples of individual systems

The modular structure of the new Classic permits a wide range of configurations and design variants in addition to the range of standard systems. The following pages feature system examples demonstrating the extensive possibilities on offer.

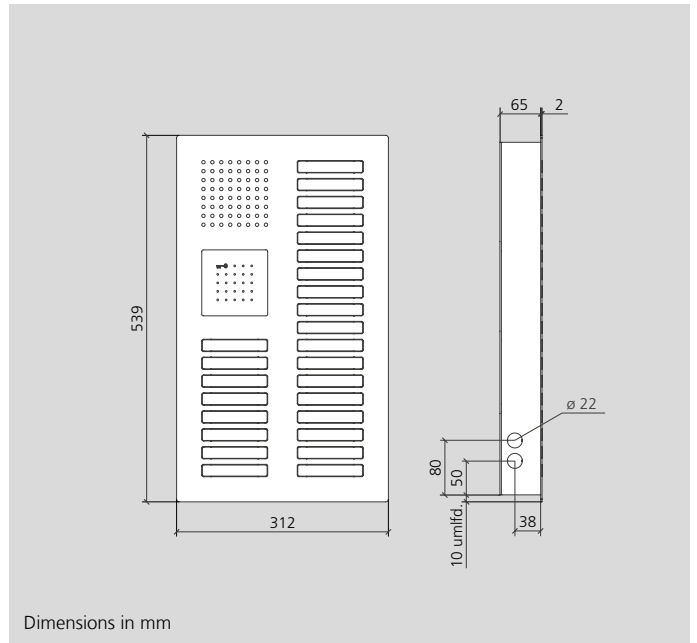
For all individual systems, the associated flush-mount housing is already included in the scope of supply.

For more information on materials and surface finishes: see page 224.



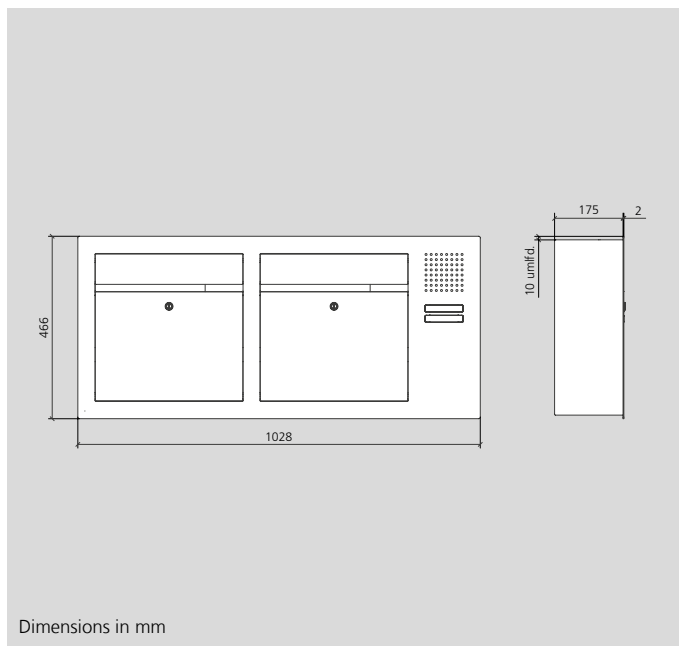
Dimensions in mm

- Front panel:
- 2 mm V4A natural brushed steel
 - Video camera with wide-angle lens
 - Code lock as control centre for access, light and everything with a switching function
 - Laser marked house number
- Flush-mount housing:
- 1.25 mm hot-dip galvanized sheet steel



Dimensions in mm

- Front panel:
- 2 mm V4A natural brushed steel
 - Electronic key reader as a no-contact door release
- Flush-mount housing:
- 1.25 mm hot-dip galvanized sheet steel



Front panel:

- 2 mm V4A natural brushed steel

Pass-through flap:

- With integrated damping action

Pass-through flap and front removal door:

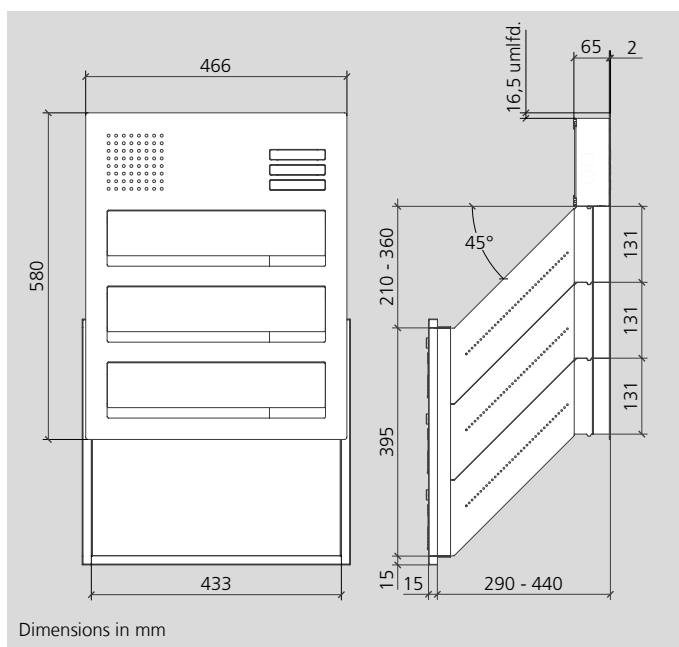
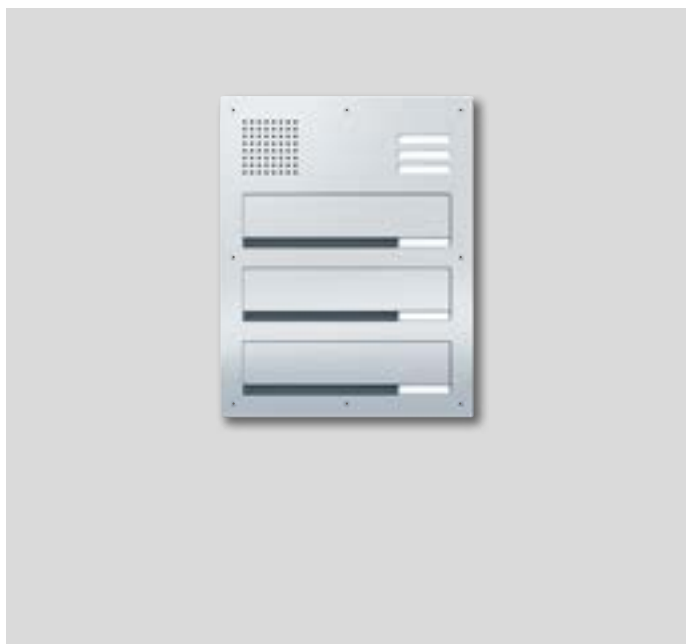
- Material as for the front panel 1.5 mm

Flush-mount housing

- 1.25 mm hot-dip galvanized sheet steel

Indoor letterbox housing:

- Material 1 mm stainless steel



Front panel:

- 2 mm V4A natural brushed steel

Pass-through flap:

- With integrated damping action

- Material as for the front panel 1.5 mm

Flush-mount housing

- 1.25 mm hot-dip galvanized sheet steel

Pass-through letterbox

- 0.8 mm hot-dip galvanized sheet steel,

- 45° in inclined arrangement, extendable from 290 - 440 mm

- Pass-through shaft 1 mm V4A steel

- Rear removal door, opening downwards, with cylinder lock, nameplate and inspection window

- 15 mm plaster frame all round



Siedle Steel

Overview	232
Planning and ordering	235
Function overview	236
Materials and surfaces	238
Lettering and illumination	240
Letterboxes	242
Surface-mounted door stations	243
Flush-mounted door stations	244
Flush-mounted door stations with pass-through letterbox	245
Flush-mounted door stations with letterbox for front removal	246
Glass mounting	247
Communication pedestals	248
Communication pedestals with letterboxes for front removal	249
Communication pedestals with letterbox for removal from the back	250
Communication pedestals for equipment on both sides	251
Door panel mounting	252
Siedle Touch	254
Communication and signage system	256

Overview



The Siedle Steel communication system was developed as a means of realizing wishes, plans and ideas. It offers scope for individual design creativity with all the quality and precision of industrial manufacture. It is this which sets Siedle Steel apart from individually designed solutions by craftsmen, which can never match the standard of precision workmanship and material quality achievable using modern industrial production.

Every Steel system is configured and constructed as a one-off in line with customer specifications. Consequently, maximum freedom of application was one of two underlying design objectives. The other was the achievement of perfection: An objective which admits no compromises.

In terms of technology: Functional excellence is a non-negotiable requirement. In terms of material: All fronts come in cohesive solid metal over their whole surface to an exemplary standard of workmanship. In terms of design: The design is devoid of any visible means of fixture; flat surfaces, linear clarity and precise edges highlight the aesthetic merit of the material.



The perfect door station can differ in appearance depending on style preference, requirements and structural circumstances. Consequently, Siedle Steel does not prescribe any specific design but rather a blueprint for individual configuration:

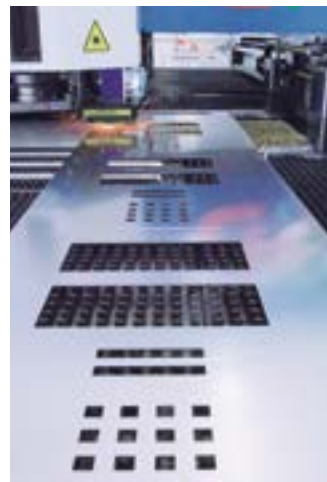
A range of function modules, a clearly defined Steel look and a 14 millimetre grid. The final configuration is determined by the needs and preferences of the user.

The examples illustrate the many possibilities available for designing a door station by selecting and arranging different functional elements.

Overview



Of course machines are used to manufacture Siedle Steel. The front panels, for instance, are cut by a high-performance laser controlled directly from a CAD program.



While everything revolves around high tech sophistication – still there is more direct hand-to-hand human contact with Siedle Steel than with any other of our products. There is no other way this extreme degree of product differentiation could be achieved. Because each individual has a unique, highly personal picture of what it is they want, no two systems are quite the same. There is no automated production system in the world which could do justice to this complex variety, and certainly not to the requisite

standard of quality. Siedle Steel has the skill and meticulous care of our craftsmen to thank for this exceptional position. Perfection is not simply a question of technology; what distinguishes “modern manufacture” is primarily the motivation engendered by a very human quality: Pride in our own work.

Pictures:
The Steel assembly department of our plant in Furtwangen

Planning and ordering

Step by step to the individual system

Door stations from the Siedle Steel range are individually produced and supplied as a fully functional complete unit. So when planning a new installation, all you need to decide is which type of installation system you require. We take charge of collating all the necessary components and equipping the door station.

The form sheet: Signpost

You can find the form for the quote service on our website. In it, you can enter key modules and components for your desired system step by step. The steps on the form correspond to the steps in the order catalogue. If you have any requirements which are not included on the form, use the empty lines or attach a sketch.

The catalogue: Inspiration

Siedle Steel is individually produced. What you see in the catalogue are not series products, but examples.

If you have any ideas which are not included in the catalogue, then why not give us a call or visit us in one of the Siedle Centres? Our advisors will be pleased to help you to implement your plans.

Step 1:

Functions

What do you want the system to be able to do? The functional overview illustrates the entire spectrum at a glance.

A tip: When equipping the unit, remember the electromagnetic pilfer safeguard!

Step 2:

Material and surface finish

Brushed stainless steel, anodized aluminium and burnished brass are the material variants offered for the front panel, supplemented by paintwork finishes and PVD coating. You need to make two choices: which finish for the surface of the front panel, and which colour for the mounting level. As an alternative to the illustrated recommendations, we can offer individual combinations and special paintwork finishes.

Step 3:

Lettering

Company name, address, opening hours: Inscriptions in the entryway area often make sense in addition to the house number. We offer a number of variants ex works, including our unique laser cutting technique.

Step 4:

Mounting

Siedle Steel can be mounted in five different ways: flush mounted, surface mounted, free standing, in the door side panel and as a glass insert.

Step 5:

Installation system

Please let us know which system you are using so that we can plan to include all the necessary components.

Step 6:

Outside dimensions

If you require the door station to have certain dimensions, we will be pleased to comply - depending on which dimensions the design grid and manufacturing process allow. Here, you may have to flick back through the pages, as the technical drawings specifying the dimensions are assigned to the mounting methods.

In systems intended for door panel mounting, we require the outside dimensions of the system and the clear width of the cut-out in the door side panel if possible.

Finally:

Enquiry

Send the completed quote template to our Quote service, who will prepare a design suggestion and a quote including price and delivery time on the basis of the information provided.

Function overview



Intercom system

Electro-acoustically optimized for excellent communication, placed for optimum protection behind the continuous metal front.



Buttons

- Illuminated light button
- Call button, illuminated, foil lettering
- Call button, laser lettering, alternatively engraved, exchangeable from the front
- Call button, laser lettering, alternatively engraved, exchangeable from the rear



Large-format buttons

For special form or functional requirements: The alternative to the standard button. Made of the same solid material as the front panel, quickly recognizable and easy to operate, offering plenty of space for inscriptions or company logos. Available as a single or double unit.



Call display

For large-scale properties: The display replaces rows of bells. Digital name selection with intuitive operation.



Camera 130/180

High-resolution colour camera with wide field of vision. Horizontal/vertical pick-up range: appr. 130°/100° or 175°/120°.



Camera 80

Colour camera with adjustable wide-angle lens. Effective horizontal/vertical pick-up range: 80°/60°, additional mechanical adjustment by 30°.



Status display

Four backlit LED symbols signal the different statuses: "Call", "Not available", "Speech" and "Door release".



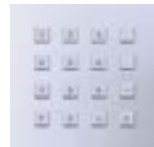
Electronic key reader

No-contact door release, with keys available in the form of cards or keyrings



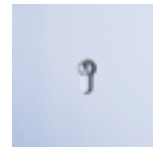
Fingerprint

Safe, simple, convenient: The finger acts as a key. Climate-resistant, suitable for outdoor use. For up to 100 users.



Code lock

Control centre for access, light and everything with a switching function. Stainless steel buttons with laser lettering or alternatively engraved, acoustic input control.



Key-operated switch

Seamless integration of all standard profile half-cylinders.



Pilfer safeguard

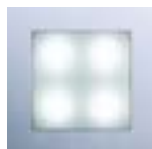
For mounting in the door station as a concealed electromagnetic locking mechanism for the control panel.



Movement sensor with photoelectric switch
 Responds to people and/or ambient brightness, and for example switches on the light.



LED spot
 Directed light to emphasize house numbers, buttons and inscriptions.



LED light module
 Energy-saving and durable: Four LEDs immerse driveways, paths or the whole entrance area in radiant white light. The modules can be combined to form large-scale lights.



LED surface area lights
 In two widths, for illuminating large lettering areas, info panels, door stations or letterboxes.



Laser marked house number
 The flush mounted and modern laser lettering has a metallic gleam and appears bright or dark depending on the light.



House number, laser cut
 The mounting level is left visible through the laser cut-outs in the solid front panel.



Lettering options
 A direct comparison of all inscription options. See page 241



Illuminated information sign
 White translucent LED backlit acrylic glass. The plate is integrated flush into the operating level and available in different dimensions. Suitable for glued or printed inscriptions.



Letterbox with front removal
 Pass-through flap, gripail and removal door in the same material as the front panel, opening towards the front. With climate box in plastic to protect against the effects of condensation.



Pass-through letterbox
 Solid pass-through flap and gripail in the same material as the front panel. The mail drops into a shaft and is removed from inside the building. Available in two sizes.



Storage compartment
 Storage compartment with gripail and front removal. Can be opened from the front without key for newspapers, groceries or other deliveries. Can be combined with electrical unlocking.

Materials and surfaces



Brushed stainless steel
V4A stainless steel, front panel brushed lengthwise, buttons and control elements brushed crossways.



Burnished brass
A traditional material, characterized by its irregular colour, the development of a distinctive patina and signs of wear through use.



Aluminium
Anodizing in a natural colour (EV1) protects the light alloy from corrosion and lends it a changing velvety shimmer.



Painted stainless steel
V4A stainless steel in an individual paintwork finish, aluminium with Duraflon coating (both in RAL, metallic or micaceous iron ore shades, in this example: Fire red).

**PVD black**

PVD surface finishes on brushed stainless steel. In contrast to paint, the extremely thin PVD layer emphasises the texture and processing quality of the brushed stainless steel. The velvety gleaming, metallic colours change with the light. They are scratch and weather-resistant as well as easy to clean.

**PVD copper****PVD brass****PVD titanium****Note**

Other materials and surface finishes are available on request. Please get in touch with us to discuss the many varied possibilities available.

Please note:

Unlike metal surfaces, in areas such as buttons which are in frequent use, a paintwork finish can show signs of frequent skin contact. These signs of use do not affect the function or durability in any way but on code lock key pads they can provide an indication of which buttons have been used. For this reason, codes used at code locks with painted keypads should be regularly changed.

Lettering and illumination



Siedle Steel offers several possibilities for combining lettering and illumination. The required lighting effect can ideally be adjusted in line with the surroundings and the overall system.

The LED spot can be targeted to illuminate specific details. Alongside the house number, these can be buttons, a code lock or other functional elements.

Like the spot, the surface area light throws side light which emphasizes edges and contours. It places not only the lettering but the whole system in the limelight. Generally speaking, its light is sufficient to illuminate the ground immediately in front. It can be used in locations with only minimal ambient light.

The illuminated information sign emphasizes the applied lettering, but leaves the remainder of the system unlit. This is the light source of choice to divert attention solely to the information and/or the system as a whole is adequately lit from other sources.

The information sign and surface area light are available in different dimensions. The light cone from the spot is around 10 centimetres wide. Siedle uses only energy-efficient long-life LEDs as lamps.



Laser inscription

Standard inscription for call buttons made of metal, storey and building identification, function modules with metal buttons, street names and house numbers. The flush mounted and modern laser lettering has a metallic gleam and appears bright or dark depending on the light. As the laser permanently changes the surface, subsequent modifications are not possible.



Raised

Made of the two millimetre-thick solid material of the operating level (stainless steel or aluminium), with the same material-dependent surface treatment options (brushed, coated, anodized, painted). Permanently fixed, no subsequent modification required.



Laser cutting technology

The letters or numbers are precisely laser-cut openings in the decor plate which expose the mounting panel underneath. This service is only available in one special character font. Subsequent changes are not possible.



Engraving

The engraving can either cover the entire face of the characters or only the contours. In full surface engravings, the characteristic lines of the milling process are visible. The engraving process permanently changes the material, so that subsequent changes are no longer possible.



Screen printing

The lettering colour is applied directly onto the surface using the screen printing technique. This imprint is very durable and weather-proof, and cannot be removed without damaging the surface. As a result, the screen printing technique is not suitable for changing inscriptions.



Film lettering

High-contrast street names and house numbers. Particularly suitable for changing inscriptions, as the film can be removed without damaging the surface. For lettering sizes from 10 mm.



Printed film

The weather-proof film is printed and applied across the whole surface. The background shows through where there is no imprint. The method is highly versatile, and allows the use of photographs and any optional motifs. Exchanging is possible with minimal expense.

Letterboxes

Whether flush mounting, free standing or for door panel mounting/glass installation: letterbox systems from Siedle can be installed to suit your needs and preferences. They can adapt to suit any design you wish or any architectural requirement.

The electrical, acoustic and ergonomic properties of all Siedle components are perfectly coordinated for installation in the letterbox housing – and Siedle offers more and more smart functions for the letterbox.



Damped letter flap

Say goodbye to irritating rattling! The pass-through flap closes gently and remains shut even when there are strong winds. This comes as standard with Siedle Steel and Siedle Classic.



Electrical unlocking

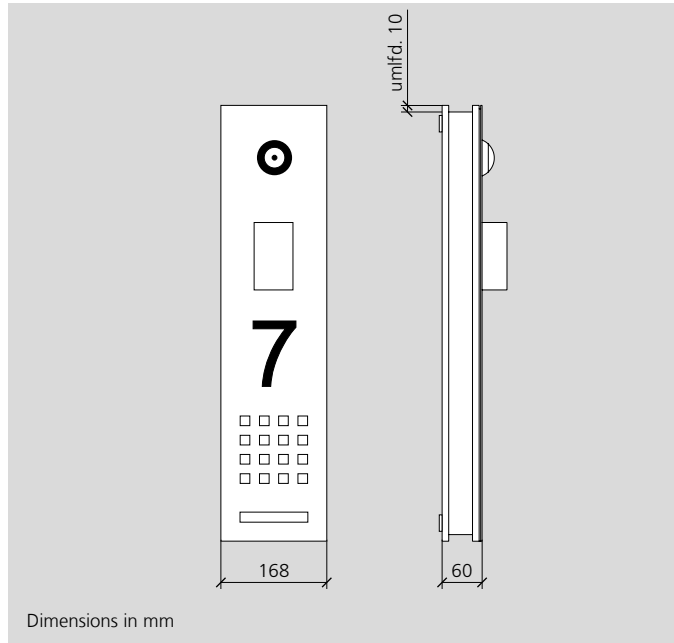
The ideal addition to an electronic access control system: electrical letterbox release. Instead of using a key, the letterbox can now be opened using a fingerprint, code lock or electronic key. For this, the mechanical lock is supplemented by an electrical locking unit which is actuated over the Vario bus. The removal door of the letterbox additionally contains a grip rail to facilitate opening.



Mail notification system

The letterbox signals whether mail has arrived: If the pass-through flap of the letterbox is opened, a signal is transmitted to the indoor station. The station indicates the message until the removal door at the letterbox is opened. The mail notification system is available for the In-Home bus and Access intercom system. At the door, it is compatible in new systems with letterboxes in the Siedle Classic and Siedle Steel design lines, while indoors it is compatible with the Comfort models of the indoor stations.

Surface-mounted door stations

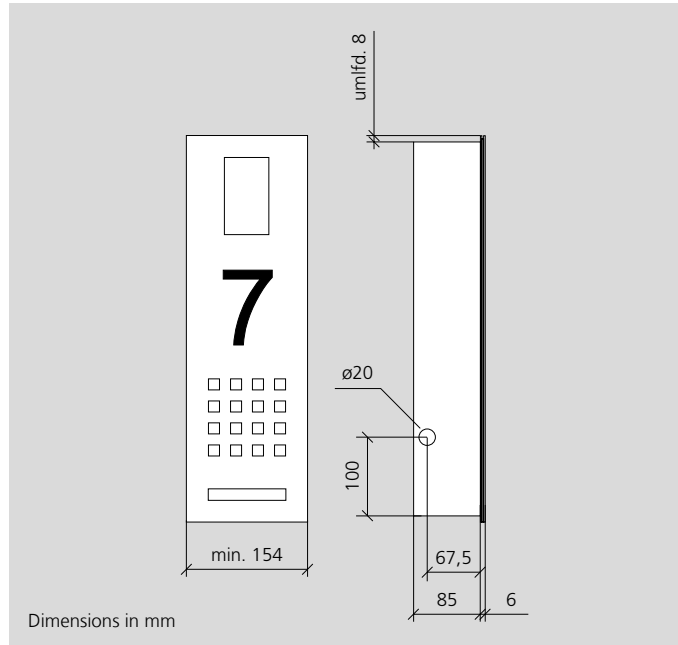


- Operating level 2 mm:
- V4A natural brushed steel
- Mounting level:
- 2 mm V2A steel with micaceous iron ore finish
- Support system:
- Sectional extruded aluminium with micaceous iron ore finish

For more information on materials and surface finishes: see page 238

A support system based on sectional extruded aluminium permits surface mounting of Steel door stations. The system allows a high level of flexibility, with the only restrictions posed by the high weight of larger systems. Due to the minimal add-on height of the profile, surface-mounted variants of the letterboxes are not possible.

Flush-mounted door stations



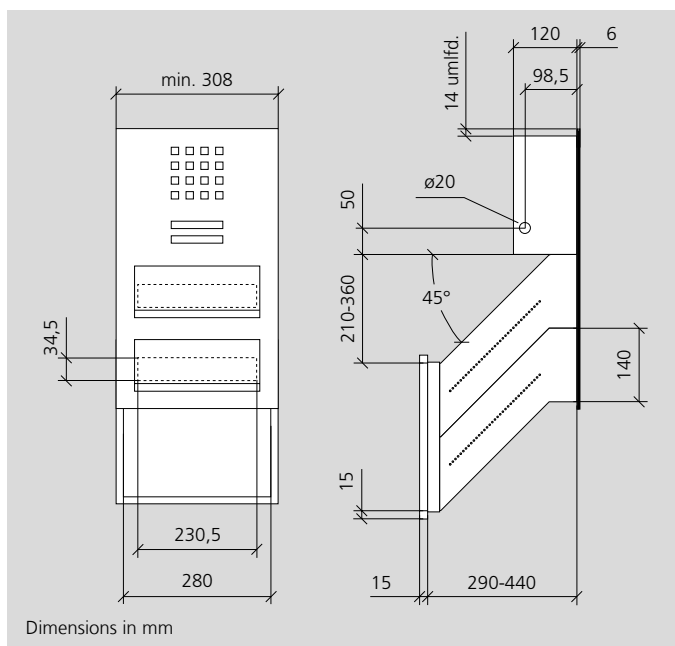
The extreme slim-line look of Siedle Steel is made possible by an ingenious split design. The two millimetre-thick solid front panel extends just six millimetres proud of the wall. Its concealed fixture is only accessible using a special tool (optionally available with an additional electro-magnetic lock which can only be released from inside). The surfaces remain completely flat and even. There is nothing to disturb the natural aesthetic appeal of the solid metal and the linear clarity of the prize-winning design. Raised elements such as house numbers and call buttons underpin the vibrancy of the material and create added light effects effectively contrasting with the front panel.

- Operating level 2 mm:
- V4A natural brushed steel
- Mounting level:
- 2 mm V2A steel with micaceous iron ore finish
- Flush-mount housing
- Hot-dip galvanized sheet steel 0.8 mm
- For more information on materials and surface finishes: see page 238

Flush installation

A special locking concept permits the recessed mounting of flush mounted door stations. However, for design reasons not every system size is capable of flush mounting. The feasibility of this mounting variant must consequently always be reviewed in advance and planned in close cooperation with Siedle.

Flush-mounted door stations with pass-through letterbox



The pass-through letterbox allows the mail to fall backwards for removal from inside the building. Due to the minimal space requirement, several letterboxes can be combined in a single station. The pass-through flap made completely in the material of the front panel is inserted for a perfect flush. Resists even stormy gusts of wind. An anti-pilfer device helps you safeguard the privacy of your mail. Siedle letterboxes naturally comply with European standard DIN EN 13724.

- Operating level 2 mm
- V4A natural brushed steel
- Mounting level:
- 2 mm V2A steel with micaceous iron ore finish
- Name strip:
- Material as for the control level 4 mm
- Pass-through flap:
- With integrated damping action
 - Material as for the control level 1.5 mm
- Flush-mount housing
- 0.8 mm hot-dip galvanized sheet steel
- Pass-through letterbox:
- 0.8 mm hot-dip galvanized sheet steel, 45° in inclined arrangement, extendable from 290 - 440 mm
 - Pass-through shaft 1 mm V4A steel
 - Removal door at the back 1 mm, V2A steel: opening downwards, colour same as the mounting level, with cylinder lock, nameplate and inspection window.
 - 15 mm plaster frame all round

For more information on materials and surface finishes: see page 238

Please note:

- Not suitable for mounting in concrete
- Suitable for masonry walls (dry masonry)



Pass-through letterbox

Solid pass-through flap and griprail in the same material as the front panel. The mail drops into a shaft and is removed from inside the building. Available in two sizes.

Remarks

Rain

Letterbox systems are sealed towards the front. They are protected against the effects of splash water and normal rainfall. For unprotected and exposed mounting situations with frequent exposure to driving rain (e.g. in coastal areas), take suitable construction measures when installing to achieve optimum rain protection.

Removal side in the outside area

When mounting a letterbox system with pass-through letterbox outside, e.g. in a garden wall, a rail guard or suitable wall recess with drip edge must be provided by the client on the removal side.

Ambient moisture

Natural stone and concrete have the ability to store moisture. The protracted effect of moisture can result in damage to the housing. Direct contact with concrete, plaster or similar building materials can result in increased corrosion due to chemical reactions. When installing for instance in garden walls, we recommend providing additional protection against moisture into the compartments by using a suitable protective film or a coating.

Effect of pressure

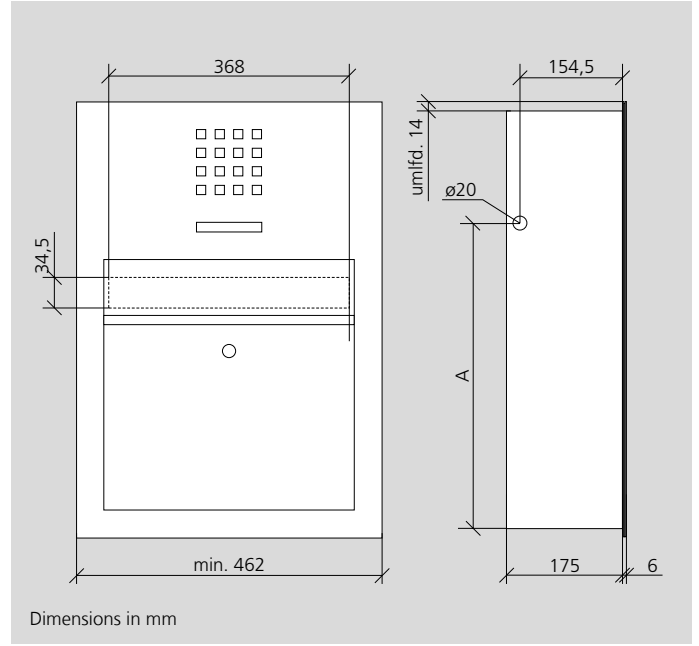
Housings can be deformed by the weight of wet concrete and/or by the compaction process. Suitable support measures should therefore be provided for in the box.



The removal door at the back including the removal shaft and frame can optionally also be provided in stainless steel. While the high-grade material enhances the optical appeal, the changed design also permits simple plaster compensation with the subsequently mountable and displaceable removal door.

In addition, an all-round sealing lip protects against drafts.

Flush-mounted door stations with letterbox for front removal



Where a wall recess but not a complete wall breakthrough is planned or possible, we recommend opting for mail removal from the front. The elegance of the surface finish conceals optimum functional quality within: An inner letterbox with condensation and driving rain protection keeps mail safe from moisture. And to prevent your mail from dropping on the floor, the removal door opens not to the side but downwards with a gently braked action. Siedle letterboxes naturally comply with European standard DIN EN 13724.



Functional quality: The double-walled letterbox housing provides protection against driving rain and condensation. The removal door opens to the front instead of sideways to prevent the mail from dropping out.

- Operating level 2 mm:
 - V4A natural brushed steel
- Pass-through flap:
 - With integrated damping action
- Name strip:
 - Material as for the control level 4 mm
- Pass-through flap and removal door at the front:
 - Material as for the control level 1.5 mm
- Pass-through shaft:
 - 1 mm V4A steel
- Mounting level:
 - 2 mm V2A steel with micaceous iron ore finish
- Flush-mount housing:
 - 0.8 mm hot-dip galvanized sheet steel

For more information on materials and surface finishes: see page 238

Note
Please observe the notes relating to rain, ambient moisture and the effect of pressure on the previous pages.

Glass mounting



Siedle Steel for glass mounting is integrated directly into the glass without a frame or any other visible fastening elements.

Panel mounting

In contrast to door panel mounting, glass mounting does not require a frame. Letterboxes and communication technology are accommodated directly between two glass elements without additional means of fastening.



Glass cut-out

For direct mounting in a glass cut-out, the cabling becomes a part of the design concept. The supply wires are guided downwards in a flexible steel sleeve. The system appears to "hover" at the ergonomically ideal height.

The minimum thickness of the glass is eight millimetres, there is no maximum thickness limit. Steel systems can even be integrated in bullet-proof glass without impairing the security of the facade.

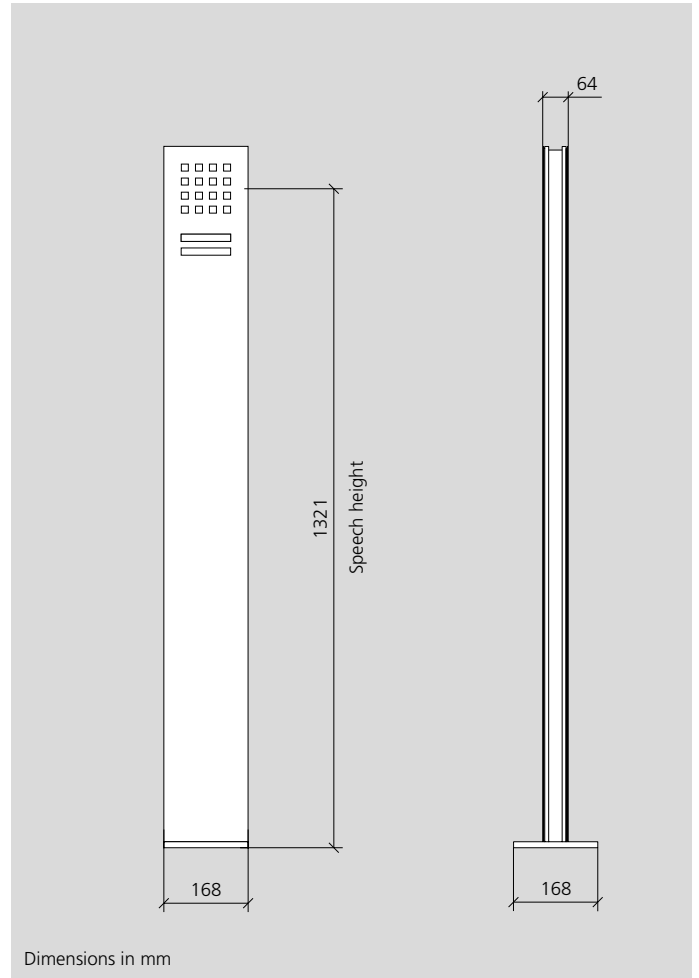
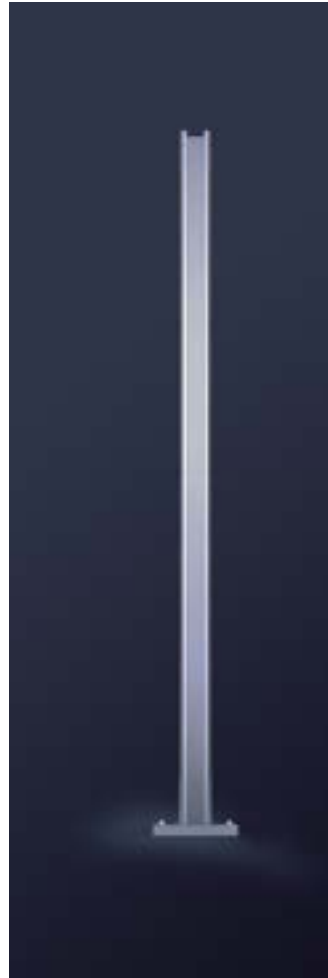


The low-profile housing with its depth of just 37 millimetres and the partially surface-mounted cable inlet are a constituent part of the design concept. The total mounting height is 84 millimetres.



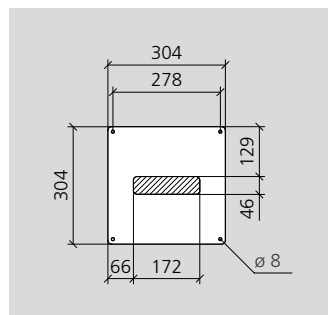
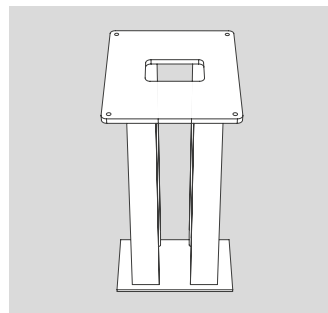
The supply line made of flexible woven stainless steel makes a design virtue out of technical necessity.

Communication pedestals



The communication pedestal makes its own distinctive mark. It comes with all the right credentials - not just in terms of aesthetic appeal: All the functions are positioned at just the right ergonomic height for maximum user convenience. The effective interplay between form and function extends to the detail: This makes the concealed fixture of the metal front both a design feature and also an effective protection against vandalism. An electromagnetic pilfer safeguard, accessible only by using a controller from inside the building, locks and unlocks the front panel.

A support system based on sectional extruded aluminium makes for even easier planning of pedestals. As a result, it is possible to implement substantially bigger dimensions. The pedestals can also be fitted with modules on both sides.

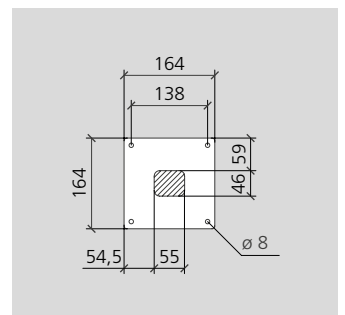
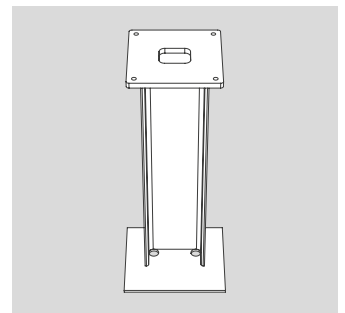


ZE/STL 308 x 308

Ground element accessory for free-standing communication pedestals in 308 x 308, made of stable, hot-dip galvanized steel with internal cable channel and ground flange with welded-on nuts for fixture of the communication pedestal base plate.
Dimensions (mm) W x H x D:
304 x 500 x 304

- Operating level 2 mm:
 • V4A natural brushed steel
 Mounting level:
 • 2 mm V2A steel with micaceous iron ore finish
 Support system:
 • Sectional extruded aluminium with micaceous iron ore finish
 Base plate:
 • 20 mm aluminium plate with micaceous iron ore finish

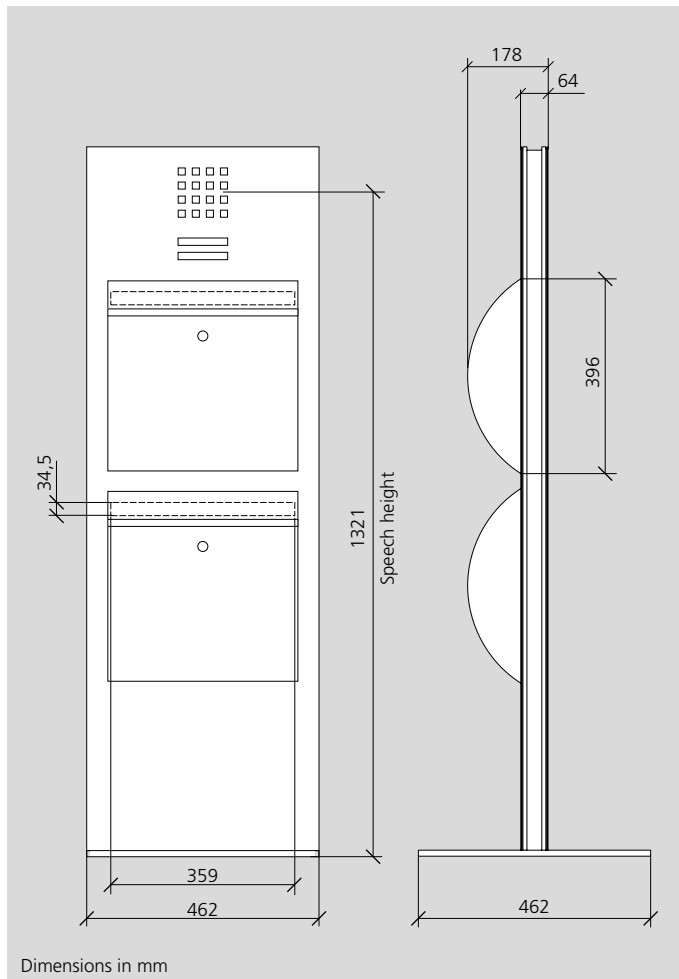
For more information on materials and surface finishes: see page 238



ZE/STL 168 x 168

Ground element accessory for free-standing communication pedestals in 168 x 168, made of stable, hot-dip galvanized steel with internal cable channel and ground flange with welded-on nuts for fixture of the communication pedestal base plate.
Dimensions (mm) W x H x D:
180 x 500 x 200

Communication pedestals with letterboxes for front removal



When it comes to first impressions, the free-standing communication pedestals radiate both competence and assurance where it matters - in the entrance area. The integrated letterbox effectively demonstrates how to make a design virtue out of functional necessity, perfectly formed from front to back. As an eye-catching central feature in the entrance area, the pedestal provides the perfect basis for presentation of a company name or logo.



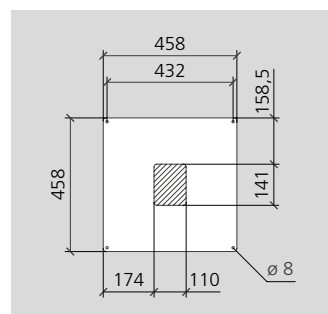
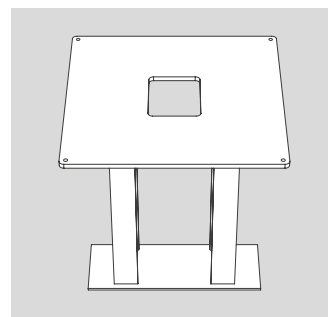
Functional quality: The double-walled letterbox housing provides protection against driving rain and condensation. The removal door opens with a gentle damping action to the front instead of sideways to prevent the mail from dropping out.

An extruded sectional aluminium-based support system changes the letterbox design and makes for even more flexible planning. This allows substantially larger system dimensions to be implemented. The floor bracket with its new front and rear support offers optimum static stability.

The floor bracket can also be configured on request for recessed mounting.

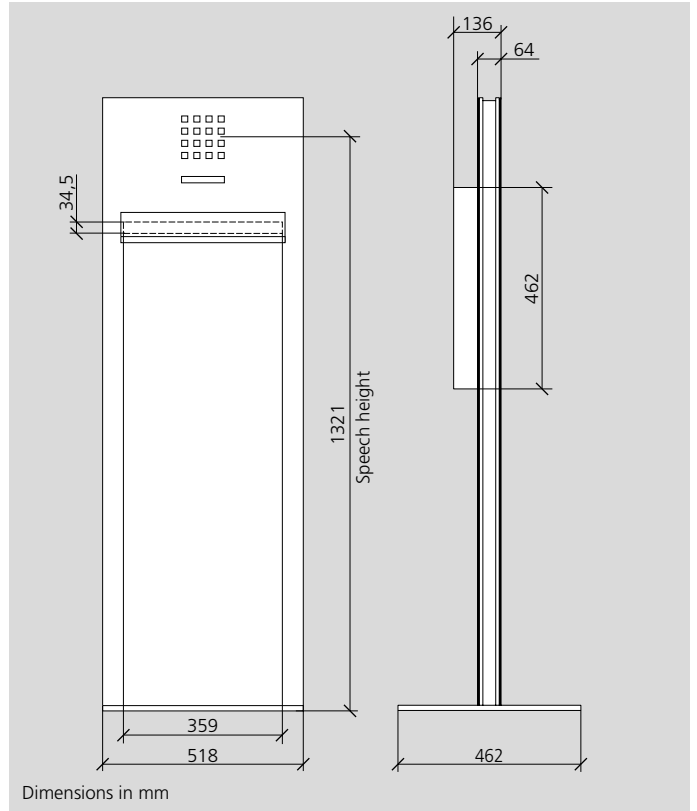
- Operating level 2 mm:
- V4A natural brushed steel
- Pass-through flap:
- With integrated damping action
- Pass-through flap and removal door at the front:
- Material as for the control level
- 1.5 mm
- Name strip:
- Material as for the control level
- 4 mm
- Mounting level:
- 2 mm V2A steel with micaceous iron ore finish
- Support system:
- Sectional extruded aluminium with micaceous iron ore finish
- Base plate:
- 20 mm aluminium plate with micaceous iron ore finish

For more information on materials and surface finishes: see page 238



ZE/STL 462 x 462
Ground element accessory for free-standing communication pedestals in 462 x 462, made of stable, hot-dip galvanized steel with internal cable channel and ground flange with welded-on nuts for fixture of the communication pedestal base plate.
Dimensions (mm) W x H x D:
458 x 500 x 458

Communication pedestals with letterbox for removal from the back



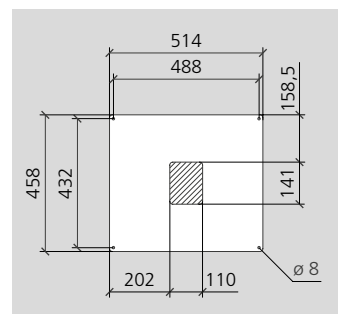
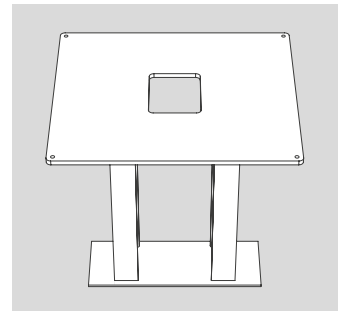
Low-profile presentation:
The letterbox system housing only projects outwards where required by the function. The base turns into a floor bracket which is screwed firmly into the ground.

The floor bracket can also be configured on request for recessed mounting.

Meticulously planned ergonomics: Removal from behind is possible in letterboxes with rectangular housing. The removal door also opens to the front instead of sideways to prevent the mail from dropping out.

- Operating level 2 mm:
- V4A natural brushed steel
- Pass-through flap:
- With integrated damping
- Pass-through flap and rear removal door:
- Material as per operating level 1.5 mm
- Name strip:
- Material as per operating level 4 mm
- Mounting level:
- 2 mm V2A steel with micaceous finish
- Support system:
- Sectional extruded aluminium with micaceous finish
- Base plate:
- 20 mm aluminium plate with micaceous finish

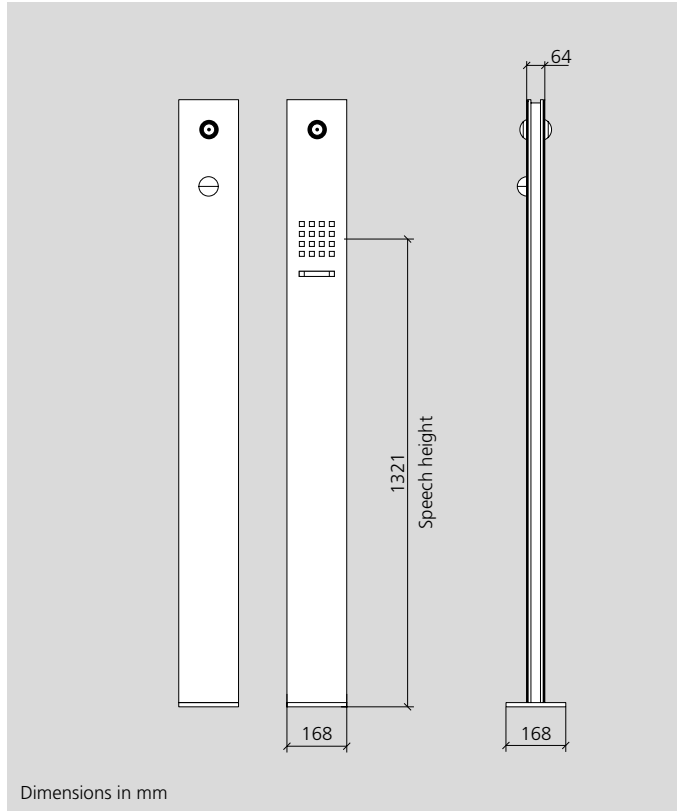
For more information on materials and surface finishes: see page 238



ZE/STL 518 x 462

Ground element accessory for free-standing communication pedestals in 518 x 462, made of stable, hot-dip galvanized steel with internal cable channel and ground flange with welded-on nuts for fixture of the communication pedestal base plate.
Dimensions (mm) W x H x D:
488 x 500 x 458

Communication pedestals for equipment on both sides

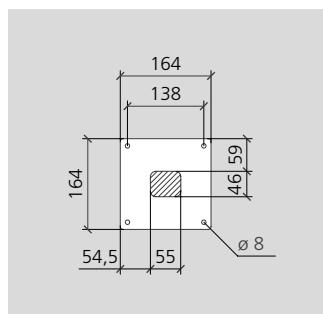
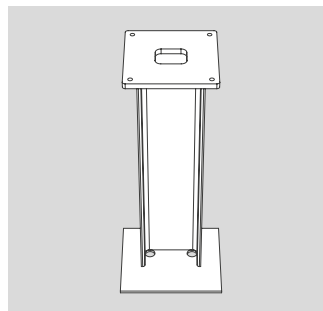


Another new feature made possible by the new support system: Communication pedestals can now be fitted with functional elements on both sides.

Please note:
Due to the differing overall depth of the components, fitting with functional elements on both sides must be configured in close agreement with Siedle.

- Operating level 2 mm:
- V4A natural brushed steel
- Mounting level:
- 2 mm V2A steel with micaceous iron ore finish
- Support system:
- Sectional extruded aluminium with micaceous iron ore finish
- Base plate:
- 20 mm aluminium plate with micaceous iron ore finish

For more information on materials and surface finishes: see page 238



ZE/STL 168 x 168

Ground element accessory for free-standing communication pedestals in 168 x 168, made of stable, hot-dip galvanized steel with internal cable channel and ground flange with welded-on nuts for fixture of the communication pedestal base plate.

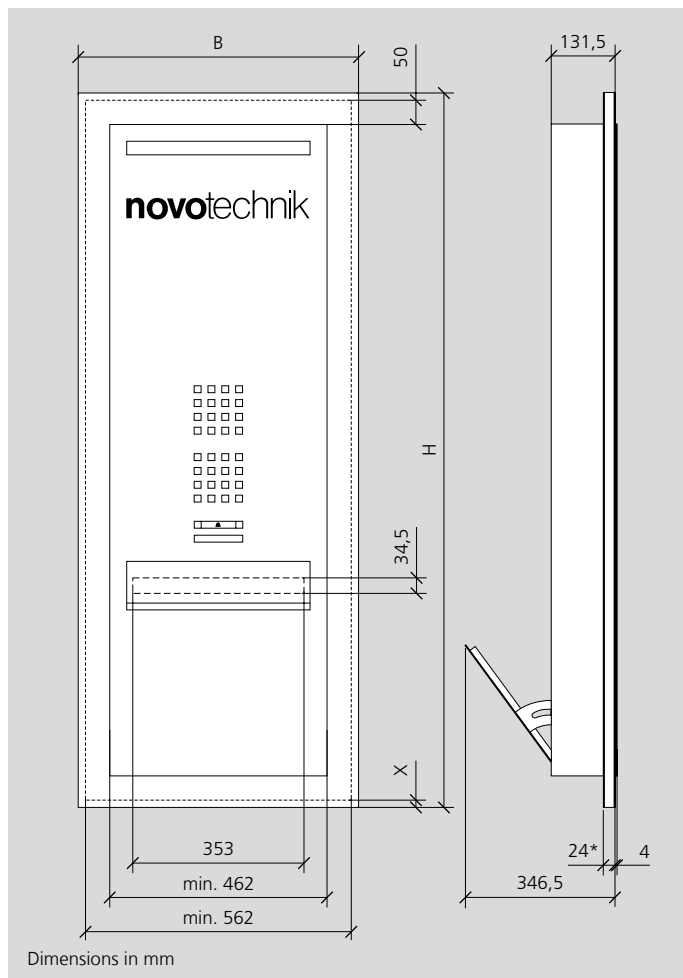
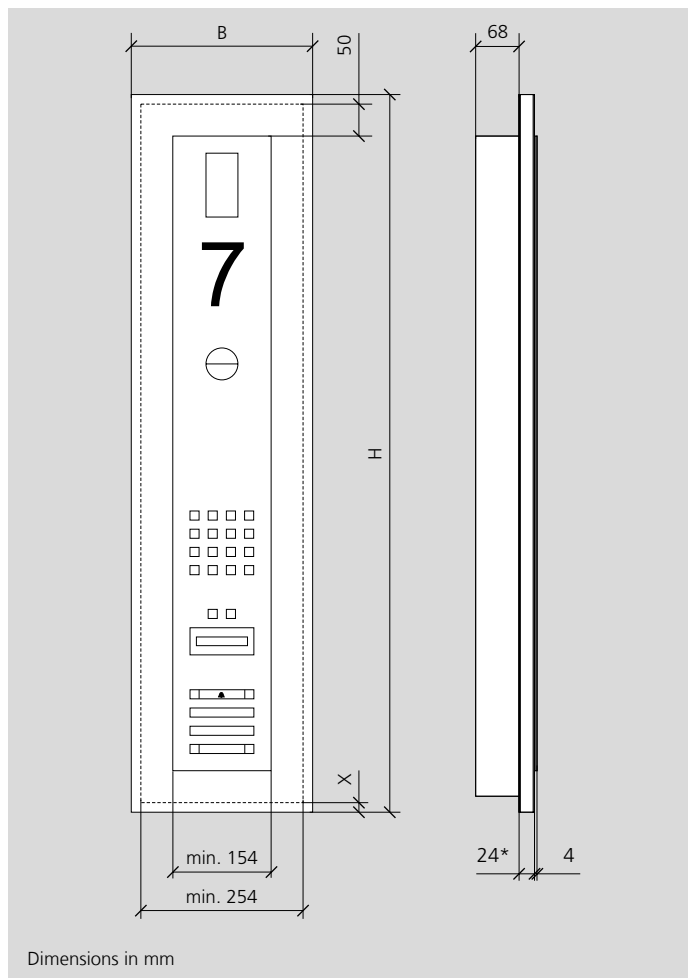
Dimensions (mm) W x H x D:
180 x 500 x 200

Door panel mounting



The convenient way to pick up the mail: The door hinges downwards to prevent mail dropping on the floor, the plastic climate box eliminates condensation build-up, and channels in the floor keep items dry in case moisture does penetrate.

Door side panel integration brings out the very best in Siedle Steel: The generous stainless steel surface becomes a design element which makes a striking mark on the entrance area. All the functional elements are placed in just the right ergonomic position: The company logo or house number clearly illuminated by the LED lights, the intercom system at mouth level, the code lock, buttons and letterbox flap all within easy reaching distance. The mounting level is thermally insulated by PS foam for optimum thermal separation, its thickness adapted to circumstances on site. It is fitted in the glass rebate of the door side panel or other upright and transom designs. A 50 mm surrounding trim is not just a design element but also captures all the benefits of Siedle Steel for door panel mounting too: Operating level detachable from the front without visible fixture, module testing and removal from the front, installation and mounting simplicity. The back of the system is made completely of stainless steel.



Key:
 Clear measurement
 X = Glass insert
 Panel dimension = Clear measurement
 + 2 x glass insert
 *After clarification of site circumstances

- Operating level 2 mm:
- V4A natural brushed steel
- Mounting level 2 mm:
- V4A natural brushed steel or V2A steel with micaceous iron ore finish
- Rear side:
- 2 mm V4A natural brushed steel or painted
 - PS foam filling
- Protective hood at the back:
- 1.5 mm V4A natural brushed or painted
 - Removal door at the back 1.5 mm V4A natural brushed or lacquered steel, opening downwards
 - Letterbox with plastic climate box
- Pass-through flap:
- With integrated damping action
 - Material as for the control level 1.5 mm
- Name strip:
- Material as for the control level 4 mm
 - Pass-through shaft 1 mm V4A steel

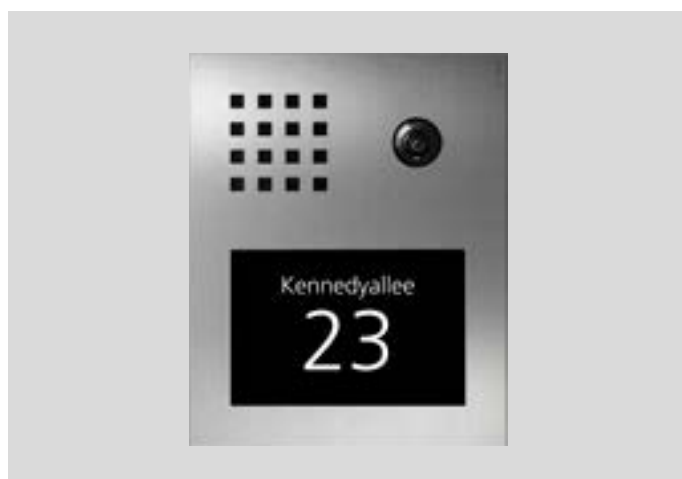
For more information on materials and surface finishes: see page 238

Siedle Touch



Siedle Touch is the new multi-functional touchscreen for those with high requirements. It takes on the role of a door station, including access control. Text and images or videos can be stored in the info area to the right. The innovative interface is pictorial and intuitive to use.

Siedle Touch in the Steel design line: Steel systems are individually planned and produced, assembled in the factory, tested and supplied ready to install.



The 10-inch screen is available in portrait and landscape format. It can be integrated into door stations from the Siedle Steel design line or freely fitted – in façades, door panels or walls.

It is available for the Siedle In-Home bus and Siedle Access Professional systems.



The intuitive Siedle Touch interface is designed for up to 2,000 users. The user interface is highly customisable: Call buttons can be displayed in extremely large format and emphasised with an image or company logo.



Siedle Touch 10 for building integration: Alternatively, Siedle Touch can be integrated in façades, door panels or walls along with Siedle cameras and custom-fit door loudspeakers. In this way, the camera can capture an optimum image of the entrance area at all times.

For more information, planning support and ordering* please contact Siedle Project Sales: +49 7723 63-552 projektvertrieb@siedle.de

* Processing and billing via electrical retailer



The code lock for opening the door with rotating numeric keypad ensures maximum security in relation to access control.



Group formation: User groups and subgroups can be created so that a number of call destinations can be combined.



Siedle Steel
Communication and signage system

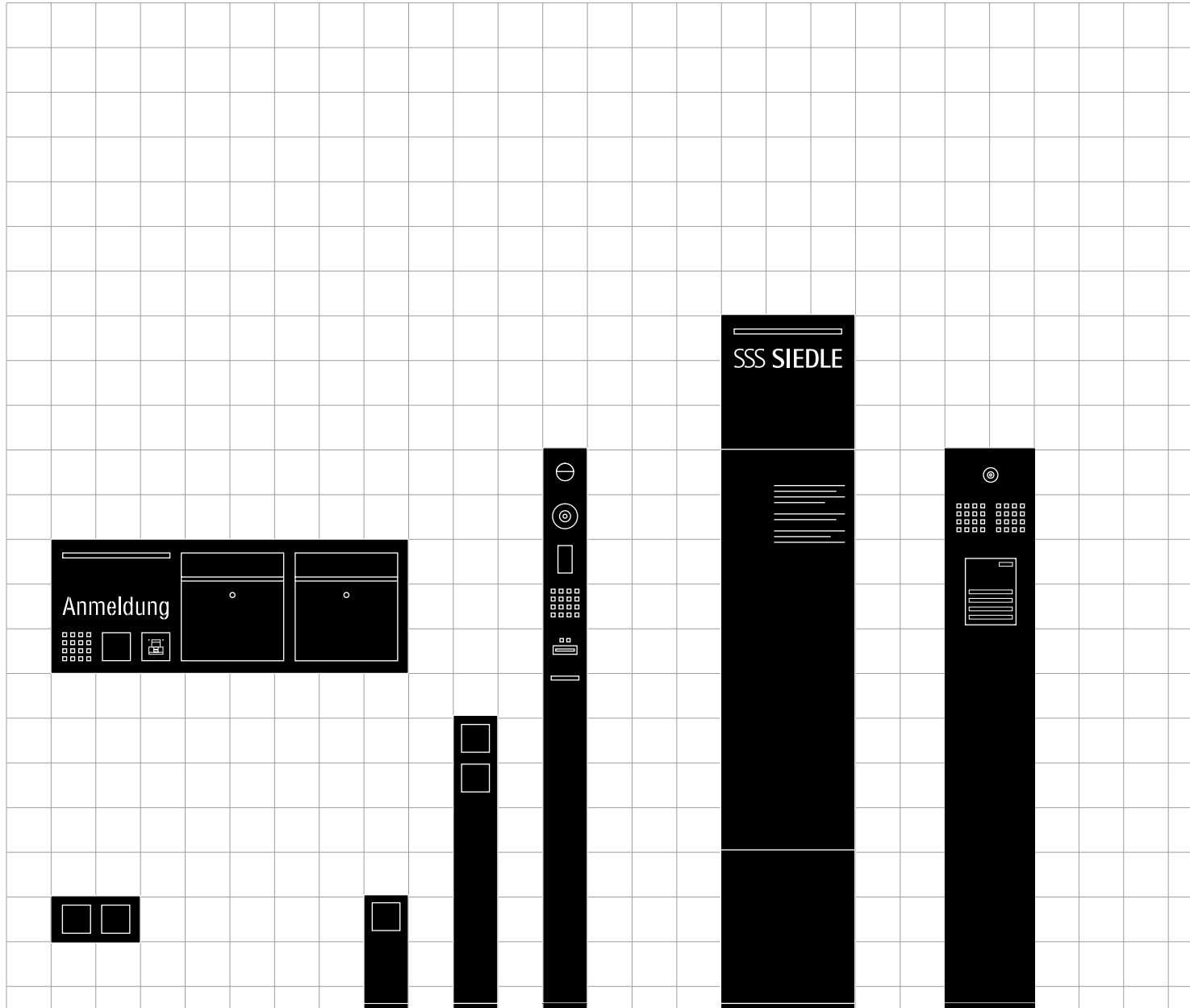
The whole building	258
Light/communication pedestal	260
Door stations	260
Wall/hanging signs	261
Room signs	261
Room signs/pictograms	262

The whole building

A perfect reception is not limited to the entrance area alone; the door is only one of several stations passed by a visitor. The route into the building starts with the parking sign or garage entrance and only ends on reaching a certain room. Other functions come to the fore at each one of these stations: Identification of the building

and its occupants, communication or interaction with the visitor, access to the inside, followed by guidance, information and support in finding the desired destination. The communication and guidance system complies with every conceivable demand made on standardized design. It combines the unlimited scope

for variation of the high-end communication system Siedle Steel with an ergonomically optimized signage system. The result: The perfect reception - seamless and cohesive throughout the whole of the building.



Door station
LED surface area light
Lettering
Intercom system
Call button
Fingerprint reader
Letterboxes

Wall lights
LED light modules

Light pedestals
LED light modules

Communication pedestal
Movement sensor module
Video camera
LED spot
Intercom system
Card reader
Call button

Free-standing information pedestal
LED surface area light
Lettering

Communication pedestal
Intercom system
Video camera
Communication terminal with touchscreen display



Parking pedestal
Pictogram

Wall signs
Lettering

Wall sign
Pictograms

Room sign and door station
Lettering
Call button
Fingerprint reader

Room signs
Lettering
Pictogram

Hanging sign
Pictograms
Lettering

Light/communication pedestal



At the perimeter, on driveways, gates or paths: the free-standing pedestal is ideally placed wherever it most effectively fulfils its function, irrespective of walls and facades. It comes with all the right credentials - not just in terms of aesthetic appeal: All the functions are positioned at just the right ergonomic height for maximum user convenience. Fitted with LED light modules, it is transformed into a path lighting system which can be automatically controlled if required by means of movement sensor switches and photoelectric lighting controllers. A video camera, intercom systems or other functional elements turn it into a communication pedestal which opens doors and gates, which identifies, informs or receives the mail.

Door stations



A forwarding agent needs to deliver goods, a postman to find the letterbox. Guests ring the doorbell and announce themselves, employees gain access using a numerical code or fingerprint. Visitors need light to find paths, register information and operate devices. Occupants and owners want to make an appropriate impression. They have design aspirations, aim to reflect a specific corporate image or express their own personal style. The architect aims to use certain materials, the planning bureau outlines special requirements in terms of technology and installation. The threshold is the meeting place of ideas, aspirations and requirements. In an ideal world, these should not contradict but complement each other.

Door station with laser cut header panel, film inscribed list panel, intercom system, large-area button and code lock. Every panel can be individually removed. An electromagnetic locking mechanism can optionally be used to secure valuable functional elements.

Wall/hanging signs



The symbiosis of electronic communication technology with visitor guidance also provides benefits inside the building. A room sign with bell button and fingerprint reader is just as easily possible as integration of an LED surface area light in a wall panel.

Company name, room numbers, departments: Inscriptions that remain unchanged for a long time can be laser marked, engraved or printed. Other items, such as names, roles or titles change frequently. For these, it is advisable to use revisable inscriptions which can be changed with little effort or expense.



Hanging signs are easily recognizable from a long distance and keep paths and walls uncluttered. They comprise a mounting level on which the supplied hanging fixture is mounted, and two cover panels for inscription. The mounting level is made of aluminium in order to save on weight. The entire range of material and lettering options is available for the cover panels.

Three-part information board with surface area light. The head panel with company logo ensures optimum visibility from afar. The central panel is used for close-range identification. It has a transparent, one-colour printed film glued over its whole surface. To update the inscription, the entire film is exchanged. The base panel neatly finishes off the bottom of the panel.

Room signs



An intelligent combination used to denote sensitive areas: A combination of room identification and access control.

Functions:
Inscribable room sign
Large-format buttons
Fingerprint reader



The room signs are available in a one to four-part design. Each segment can be individually inscribed and exchanged.

When planning and configuring your system, our project sales team will be pleased to lend their support.
Tel. +49 7723 63-555
projektvertrieb@siedle.de

Room signs/pictograms



OSB 0001 E
Orientation sign in stainless steel, one-part, for individual lettering. The brushed stainless steel surface can be inscribed using laser lettering, foil, engraving or screen printing. Nameplate size (mm) W x H: 154 x 154
Dimensions (mm) W x H x D: 154 x 154 x 11



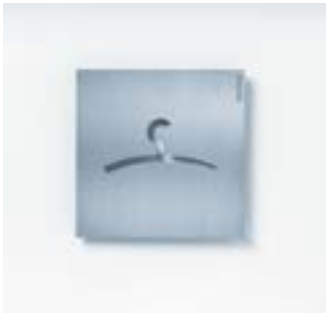
OSB 0002 E
Orientation sign in stainless steel, two-part, for individual lettering. The brushed stainless steel surface consists of two lettering fields of equal size and can be inscribed using laser lettering, foil, engraving or screen printing. Nameplate size (mm) W x H: 154 x 76.5
Dimensions (mm) W x H x D: 154 x 154 x 11



OSB 0003 E
Orientation sign in stainless steel, three-part, for individual lettering. The brushed stainless steel surface consists of three lettering fields and can be inscribed using laser lettering, foil, engraving or screen printing. Nameplate size (mm) W x H: 154 x 76.5 and 154 x 37.75
Dimensions (mm) W x H x D: 154 x 154 x 11



OSB 0004 E
Orientation sign in stainless steel, four-part, for individual lettering. The brushed stainless steel surface consists of four lettering fields of equal size and can be inscribed using laser lettering, foil, engraving or screen printing. Nameplate size (mm) W x H: 154 x 37.75
Dimensions (mm) W x H x D: 154 x 154 x 11



OSP 0004
Orientation sign with pictogram "Cloakroom" made of brushed stainless steel. Dimensions (mm) W x H x D: 154 x 154 x 11



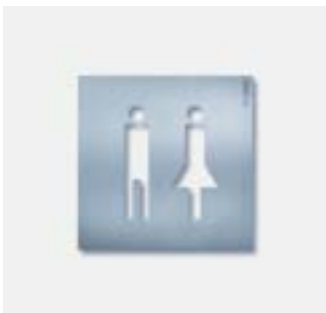
OSP 0005
Orientation sign with pictogram "Conference" made of brushed stainless steel. Dimensions (mm) W x H x D: 154 x 154 x 11



OSP 0006
Orientation sign with pictogram "Arrow" left and right made of brushed stainless steel. Dimensions (mm) W x H x D: 154 x 154 x 11



OSP 0007
Orientation sign with pictogram "No smoking" made of brushed stainless steel. Dimensions (mm) W x H x D: 154 x 154 x 11



OSP 0012
Orientation sign with pictogram "restroom" made of brushed stainless steel. Dimensions (mm) W x H x D: 154 x 154 x 11



OSP 0013
Orientation sign with pictogram "Babycare room" made of brushed stainless steel. Dimensions (mm) W x H x D: 154 x 154 x 11



OSP 0014
Orientation sign with pictogram "Shower Ladies" made of brushed stainless steel. Dimensions (mm) W x H x D: 154 x 154 x 11



OSP 0015
Orientation sign with pictogram "Shower Men" made of brushed stainless steel. Dimensions (mm) W x H x D: 154 x 154 x 11

**OSB 0005 G**

Orientation sign made of a combination of stainless steel and acrylic glass, suitable for individual lettering. Lettering takes place using film or paper between the acrylic glass and mounting plate.
Nameplate size (mm) W x H: 113 x 154
Dimensions (mm) W x H x D: 154 x 154 x 11

**OSP 0001**

Orientation sign with pictogram "Library" made of brushed stainless steel.
Dimensions (mm) W x H x D: 154 x 154 x 11

**OSP 0002**

Orientation sign with pictogram "Restaurant/Canteen" made of brushed stainless steel.
Dimensions (mm) W x H x D: 154 x 154 x 11

**OSP 0003**

Orientation sign with pictogram "Cafeteria" made of brushed stainless steel.
Dimensions (mm) W x H x D: 154 x 154 x 11

**OSP 0008**

Orientation sign with pictogram "Smoking area" made of brushed stainless steel.
Dimensions (mm) W x H x D: 154 x 154 x 11

**OSP 0009**

Orientation sign with "Disabled" pictogram made of brushed stainless steel.
Dimensions (mm) W x H x D: 154 x 154 x 11

**OSP 0010**

Orientation sign with pictogram "Ladies" made of brushed stainless steel.
Dimensions (mm) W x H x D: 154 x 154 x 11

**OSP 0011**

Orientation sign with pictogram "Men" made of brushed stainless steel.
Dimensions (mm) W x H x D: 154 x 154 x 11

**OSP 0016**

Orientation sign with pictogram "Shower" made of brushed stainless steel.
Dimensions (mm) W x H x D: 154 x 154 x 11

**OSM 0001 DG**

Aluminium mounting panel to accommodate all stainless steel panels for the orientation system.
Dimensions (mm) W x H x D: 154 x 154 x 8



Replacement and modernization

Overview	266
Replacement for series TL 111	268
Siedle Classic	268
Siedle Vario with surface-mounted communication display	270
Replacement for series TL 411	272
Replacement for Vario 511	274
Flush-mounted door stations	274
Surface-mounted door stations	275
Flush-mounted letterboxes	276
Communication pedestal	279
Communication pedestal with letterbox	279
Replacement/upgrade IQ HTA / HTA 811-0	280

Overview



Sole condition: A bell system, in this example for a two-family home



A set is fully pre-configured and ready for installation. It comprises a door station, indoor call station and the mains supply. Installation work is kept to a minimum, and surface mounting is both quick and simple.

Door bell to intercom system

The low-cost Siedle Sets are ideally suited for rapid modernization. Thanks to trouble-free surface mounting indoors and outdoors, no masonry work is generally required. For more information, refer to the chapter Siedle Sets.



A simple doorbell can also be upgraded with ease.



A video set offers greater convenience and increased security.

Door bell to video system

Fast and uncomplicated: In most cases, the video set runs using the wires of the existing bell/door release system, and is simply screwed to the wall. For more information, refer to the chapter Siedle Sets.



Installed in millions of homes, successfully used over decades: Many tried and tested Siedle TL 111 series installations are now reaching the end of their life.



The retrofit version of Siedle Classic: Contemporary design and modern engineering in the metal look of the original. The screw fixture fits on the existing flush-mount housing. The button is alternatively also available in metal. See page 205



An adapter plate links the old housing with the Vario communication display. This opens up access to the complete Vario function spectrum.

Old intercom system to current technology

Some day even the enduring technology of an existing Siedle system will be due for an update. Special retrofit systems are designed to fit on the existing housing: This eliminates the need for masonry work.



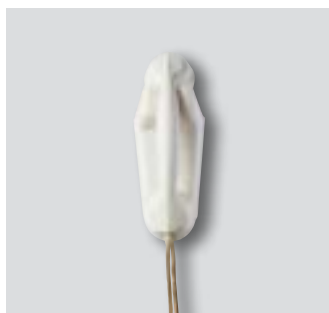
Series 511 systems are generally still doing their job – but are unable to accommodate new technologies such as bus installation, fingerprint recognition or link-up to the public telephone network.



The successor models from the Vario 611 series fit on the existing housing and use the same conductor material.

Vario old to Vario new

Years of use under inhospitable conditions have taken their toll on some original Vario 511 series systems. An adapter opens up scope for simple replacement by the successor model, leaving the flush-mount housing in the wall.



However, in many cases only individual devices are defective or have become unsightly, particularly indoors.

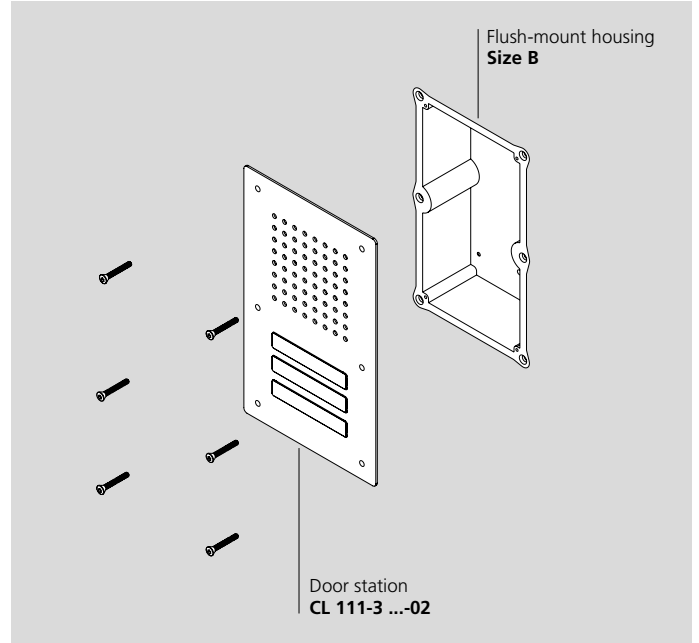


The exchange telephone HTA 811 replaces eight former generations of Siedle in-house telephones installed using what was known as the 6+n system.

Improve technology and appearance

The HTA 811 offers all the benefits of modern design: Contemporary styling, simple installation, easy handling and importantly too, enormous design diversity. The exchange model is available in the same material and colour variants as all the Siedle indoor stations. Consequently, an exchange can mean not just a technical upgrade but also a facelift.

Siedle Classic



A variant from the Siedle Classic product line was developed specifically as a replacement for one of its predecessors. Door loudspeakers of the TL 111 series were installed in their hundreds of thousands between the sixties and the eighties. Siedle Classic picks up this traditional styling concept: A metal front with loudspeaker grille, buttons and nameplates. The only differences from the standard version are the visible fastening screws and slightly different dimensions. The exchange version fits directly onto the existing housing without the need for an adapter, and in most cases even the same wires can continually be used.

TL 111 series door stations, which can be converted to Vario 511 using adapter plate FTL 101-0 A to FTL 103-0 C, can also be modernized using Siedle Classic.



6+n technology
CL 111-1 R-02
1+n technology
CL 111-1 N-02
In-Home bus
CL 111-1 B-02

Door station with stainless steel front, V4A brushed, without housing for mounting on a flush-mount housing "size A" of series TL 111. Door loudspeaker with 1 call button.
 Ambient temperature: -20 °C to +55 °C
 Dimensions front panel (mm) W x H x D: 171 x 224 x 2

6+n technology
CL 111-2 R-02
1+n technology
CL 111-2 N-02
In-Home bus
CL 111-2 B-02

Door station with stainless steel front, V4A brushed, without housing for mounting on a flush-mount housing "size B" of series TL 111; door loudspeaker with 2 call buttons.
 Ambient temperature: -20 °C to +55 °C
 Dimensions front panel (mm) W x H x D: 171 x 277 x 2

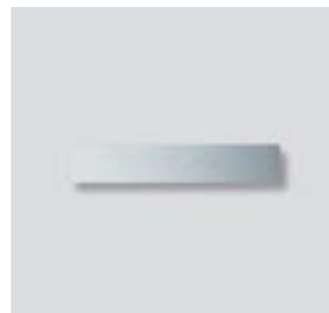
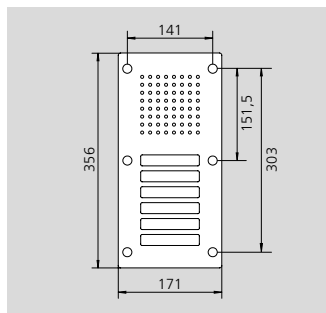
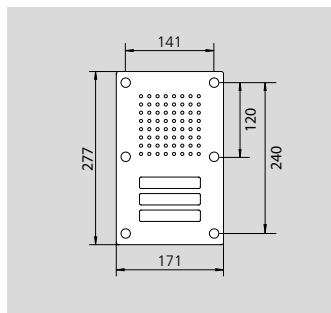
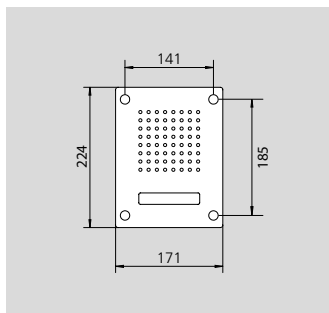
6+n technology
CL 111-3 R-02
1+n technology
CL 111-3 N-02
In-Home bus
CL 111-3 B-02

Door station with stainless steel front, V4A brushed, without housing for mounting on a flush-mount housing "size B" of series TL 111. Door loudspeaker with 3 call buttons.
 Ambient temperature: -20 °C to +55 °C
 Dimensions front panel (mm) W x H x D: 171 x 277 x 2

6+n technology
CL 111-4 R-02
1+n technology
CL 111-4 N-02
In-Home bus
CL 111-4 B-02

Door station with stainless steel front, V4A brushed, without housing for mounting on a flush-mount housing "size C" of series TL 111. Door loudspeaker with 4 call buttons.
 Ambient temperature: -20 °C to +55 °C
 Dimensions front panel (mm) W x H x D: 171 x 356 x 2

Dimensions



Dimensions in mm

ZNSM/CL-02
Metal Classic accessory nameplate made of brushed stainless steel, without inscription for replacing the backlit nameplate fitted as standard, for individual inscription by the customer.



6+n technology
CL 111-5 R-02
1+n technology
CL 111-5 N-02
In-Home bus
CL 111-5 B-02
Door station with stainless steel front, V4A brushed, without housing for mounting on a flush-mount housing "size C" of series TL 111. Door loudspeaker with 5 call buttons.
Ambient temperature: -20 °C to +55 °C
Dimensions front panel (mm) W x H x D: 171 x 356 x 2

6+n technology
CL 111-6 R-02
1+n technology
CL 111-6 N-02
In-Home bus
CL 111-6 B-02
Door station with stainless steel front, V4A brushed, without housing for mounting on a flush-mount housing "size C" of series TL 111. Door loudspeaker with 6 call buttons.
Ambient temperature: -20 °C to +55 °C
Dimensions front panel (mm) W x H x D: 171 x 356 x 2

Overview of system components for modernization of existing Siedle systems TL 111-...

Existing door loudspeaker	Door station modernization	Modernization of the door station and internal and distribution units
TL 111	CL 111-... R	CL 111-... B*, N**
TL 111 with ZTL 056	not possible	CL 111-... B*
TL 111 with ZTL 057	not possible	CL 111-... B*
TL 111 with TLE 051-...	CL 111-... R	CL 111-... B*, N**

* In-Home bus: Suitable indoor and distribution devices see page 14

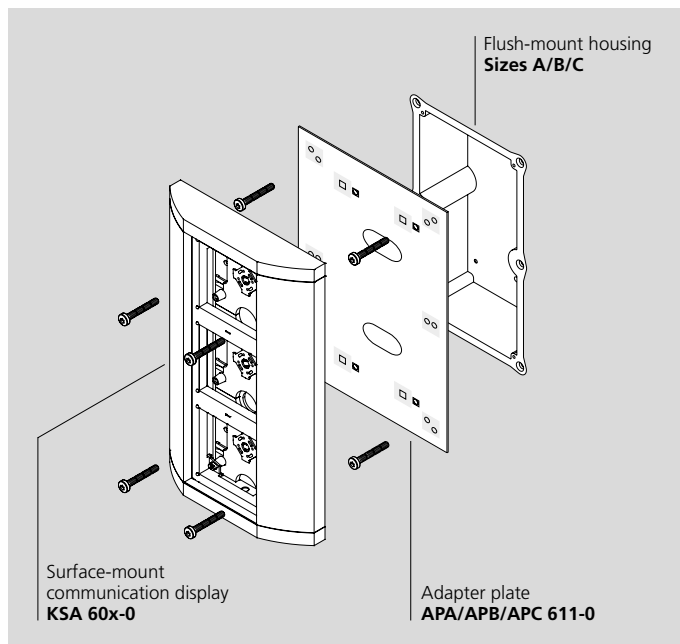
** 1+n technology: Suitable indoor and distribution devices see page 74

Siedle Vario with surface-mounted communication display



When replacing a TL 111 by a Vario communication display, an adapter plate is used which fits on the hole pattern of the existing housing. This turns a flush-mounted system into a surface-mounted one. The main benefit of this variant is the scope it offers to turn a simple exchange into an up-grade – for example by adding

video surveillance or electronic access control. Here too, the existing fixtures and wires are maintained, no masonry work is required.



KSA 602-0
Surface-mount communication display for 2 function modules 611-... complete with mounting frame.
Dimensions (mm) W x H x D:
200 x 231 x 45,3

KSA 603-0
Surface-mount communication display for 3 function modules 611-... complete with mounting frame.
Dimensions (mm) W x H x D:
200 x 331 x 45,3

KSA 604-0
Surface-mount communication display for 4 function modules 611-... complete with mounting frame.
Dimensions (mm) W x H x D:
200 x 431 x 45,3

KSA 605-0
Surface-mount communication display for 5 function modules 611-... complete with mounting frame.
Dimensions (mm) W x H x D:
200 x 531 x 45,3

Door station modernization

1. Mechanical components

Designation	for TL 111-...	Dimensions (mm) W x H x D
KSA 602-0 + APA 611-0	TL 111-1A	200 x 231 x 45,3
KSA 603-0 + APB 611-0	TL 111-2B	200 x 231 x 45,3
KSA 603-0 + APB 611-0	TL 111-3B	200 x 231 x 45,3
KSA 604-0 + APC 611-0	TL 111-4C	200 x 231 x 45,3
KSA 604-0 + APC 611-0	TL 111-5C	200 x 231 x 45,3
KSA 604-0 + APC 611-0	TL 111-6C	200 x 231 x 45,3

2. Electrical components

Designation	for TL 111-...
TLM 611-... and TM 612-...	TL 111-...
not possible	TL 111-... with ZTL 056
not possible	TL 111-... with ZTL 057
TLM 611-... and TM 612-...	TL 111-... with TLE 051-...

Please note:

All Vario modules, frames and housings are available in the four standard colours and also in non-standard paintwork finishes. see page 122

**APA 611-0**

Adapter plate made of stainless steel, for mounting on a flush-mount housing "size A" of the former TL 111 series standard door loudspeaker. For retaining communication display KSA 602-0 compl. with mounting accessories.
Dimensions (mm) W x H x D:
170 x 220 x 2

**APB 611-0**

Adapter plate made of stainless steel, for mounting on a flush-mount housing "size B" of the former TL 111 series standard door loudspeaker. For retaining communication display KSA 603-0 compl. with mounting accessories.
Dimensions (mm) W x H x D:
170 x 275 x 2

**APC 611-0**

Adapter plate made of stainless steel, for mounting on a flush-mount housing "size C" of the former TL 111 series standard door loudspeaker. For retaining communication display KSA 604-0 or KSA 605-0 complete with mounting accessories.
Dimensions (mm) W x H x D:
170 x 338 x 2

Modernization of the door station and internal and distribution units

Designation	for TL 111-...
In-Home bus* or 1+n technology**	TL 111-...
In-Home bus*	TL 111-... with ZTL 056
In-Home bus*	TL 111-... with ZTL 057
In-Home bus* or 1+n technology**	TL 111-... with TLE 051-...

* In-Home bus: BTLM 650-... and BTM 650-...

Suitable indoor and distribution devices see page 14

** 1+n technology: TLM 612-... and TM 612-...

Suitable indoor and distribution devices see page 74

Siedle Classic



Letterbox systems of the TL 411 model series can be exchanged as effortlessly as old door loudspeakers. The exchange variant has an impressive solid stainless steel front with door loudspeaker, call button and nameplate as well as a pass-through flap with grip rail and damped closing action. It fits directly onto the existing housing without the need for an adapter, and in most cases even the existing electrical installation can continue to be used.

Concreted-in old housings which are laborious to remove can stay in place. The exchange products are available in three standard variants. Individual non-standard versions are possible on request.



6+n technology
CL 411 BD2A 01 R
1+n technology
CL 411 BD2A 01 N
 In-Home bus
CL 411 BD2A 01 B

Classic pass-through letterbox with stainless steel front, brushed V4A, without housing for mounting on existing flush-mount housing for series TL 411. Door loudspeaker with one call button and one pass-through flap with grip rail. Ambient temperature: -20 °C to +55 °C
 Dimensions front panel (mm) W x H x D: 345 x 295.5 x 2



6+n technology
CL 411 BD2A 02 R
1+n technology
CL 411 BD2A 02 N
 In-Home bus
CL 411 BD2A 02 B

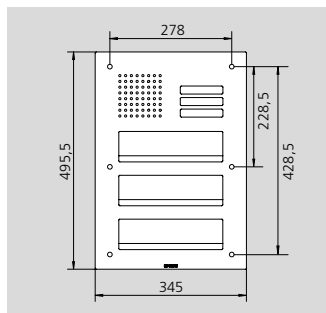
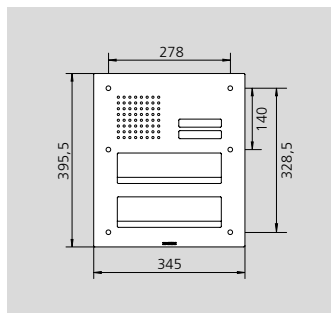
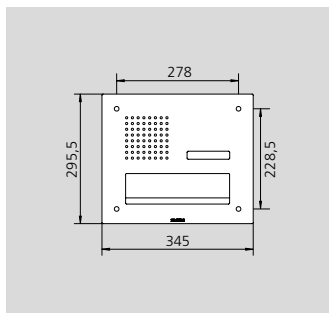
Classic pass-through letterbox with stainless steel front, brushed V4A, without housing for mounting on existing flush-mount housing for series TL 411. Door loudspeaker with 2 call buttons and 2 pass-through flaps with grip rail. Ambient temperature: -20 °C to +55 °C
 Dimensions front panel (mm) W x H x D: 345 x 395.5 x 2



6+n technology
CL 411 BD2A 03 R
1+n technology
CL 411 BD2A 03 N
 In-Home bus
CL 411 BD2A 03 B

Classic pass-through letterbox with stainless steel front, brushed V4A, without housing for mounting on existing flush-mount housing for series TL 411. Door loudspeaker with 3 call buttons and 3 pass-through flaps with grip rail. Ambient temperature: -20 °C to +55 °C
 Dimensions front panel (mm) W x H x D: 345 x 495.5 x 2

Dimensions



Dimensions in mm

ZNSM/CL-02
Metal Classic accessory nameplate made of brushed stainless steel, without inscription for replacing the backlit nameplate fitted as standard, for individual inscription by the customer.

Overview of system components for modernization of existing Siedle systems TL 411-...

Existing door loudspeaker	Door station modernization	Modernization of the door station and internal and distribution units
TL 411	CL 411-... R	CL 411-... B*, N**
TL 411 with ZTL 056	not possible	CL 411-... B*
TL 411 with ZTL 057	not possible	CL 411-... B*
TL 411 with TLE 051	CL 411-... R	CL 411-... B*, N**

* In-Home bus: Suitable indoor and distribution devices see page 14

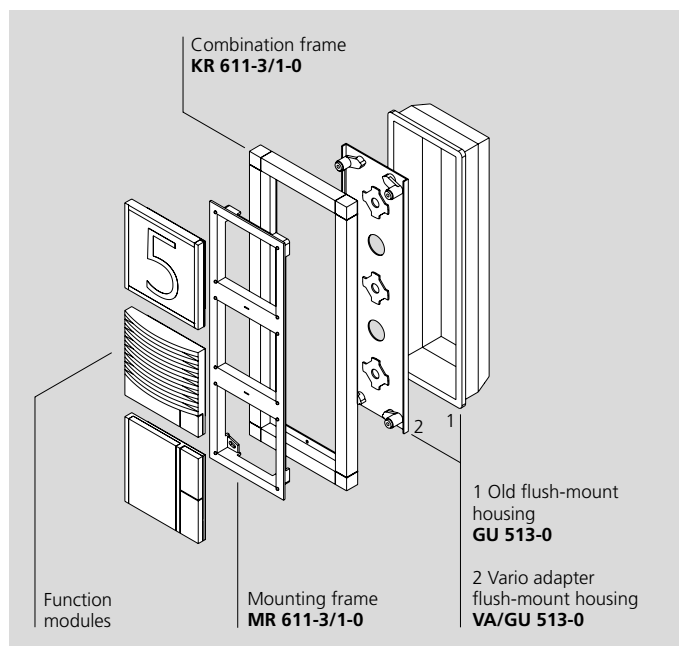
** 1+n technology: Suitable indoor and distribution devices see page 74

Flush-mounted door stations



When replacing the first Vario series by its successor model, the mounting method remains precisely the same. An adapter plate is inserted in the existing housing and the existing wires are guided through the plate to the front.

This prepares the flush-mount housing for the mounting frame and function modules from the current Vario range.



By using a Vario adapter VA/GU 5..., an already plastered flush-mount housing GU 5... can be converted to take the new Siedle Vario system.

Modernization of the flush-mounted door station

1. Mechanical components

Designation	for flush mounted housing	for mounting frame	for combination frames
VA/GU 511-0	GU 511-...	MR 611-1/1-...	KR 611-1/1-0
VA/GU 512-0	GU 512-...	MR 611-2/1-...	KR 611-2/1-0
VA/GU 524-0	GU 524-...	2 x MR 611-2/1-...	KR 611-2/2-0
VA/GU 513-0	GU 513-...	MR 611-3/1-...	KR 611-3/1-0
VA/GU 514-0	GU 514-...	MR 611-4/1-...	KR 611-4/1-0

Designation

Dimensions (mm) W x H x D

VA/GU 511-0	86 x 121 x 30
VA/GU 512-0	86 x 211 x 30
VA/GU 524-0	179 x 214 x 30
VA/GU 513-0	86 x 305 x 30
VA/GU 514-0	86 x 393 x 30

2. Electrical components

Designation	for door loudspeaker
TLM 611-... and TM 612-...	TLE 511-...
TLM 611-... and TM 612-...	TLM 511-...
TLM 611-... and TM 612-...	TLM/TK 511-...
TLM 612-... and TM 612-...	TLM 512-... with TM 511/ZD 512-4
not possible	TLE or TLM 521-...
not possible	TLM 522-...

Door station modernization

Designation	for door loudspeaker
In-Home bus * or 1+n technology **	TLE 511-...
In-Home bus * or 1+n technology **	TLM 511-...
In-Home bus * or 1+n technology **	TLM/TK 511-...
In-Home bus *	TLE or TLM 521-...
In-Home bus *	TLM 522-...

* In-Home bus: BTLM 650-... and BTM 650-...

Suitable function modules, indoor and distribution devices see page 14

** 1+n technology: TLM 612-... and TM 612-...

Suitable function modules, indoor and distribution devices see page 74

Please note:

All Vario modules, frames and housings are available in the four standard colours and also in non-standard paintwork finishes. see page 122

Surface-mounted door stations



Surface-mounted series Vario 511 systems can be replaced with a minimum of fuss by our successor models from the 611 series. The necessary components and compatibility with the current installation systems are listed on this page.

Modernization of the surface-mounted door station

1. Mechanical components

for Vario 511	Surface-mount housing	for mounting frame
GA 511-0	GA 612-1/1-...	MR 611-1/1-...
GA 512-0	GA 612-2/1-...	MR 611-2/1-...
GA 513-0	GA 612-3/1-...	MR 611-3/1-...
GA 514-0	GA 612-4/1-...	MR 611-4/1-...

2. Electrical components

Designation	for door loudspeaker
TLM 611-... and TM 612-...	TLE 511-...
TLM 611-... and TM 612-...	TLM 511-...
TLM 611-... and TM 612-...	TLM/TK 511-...
TLM 612-... and TM 612-...	TLM 512-... with TM 511/ZD 512-4
not possible	TLE or TLM 521-...
not possible	TLM 522-...

Door station modernization

Designation	for door loudspeaker
In-Home bus * or 1+n technology **	TLE 511-...
In-Home bus * or 1+n technology **	TLM 511-...
In-Home bus * or 1+n technology **	TLM/TK 511-...
In-Home bus *	TLE or TLM 521-...
In-Home bus *	TLM 522-...

* In-Home bus: BTLM 650-... and BTM 650-...

Suitable function modules, indoor and distribution devices see page 14

** 1+n technology: TLM 612-... and TM 612-...

Suitable function modules, indoor and distribution devices see page 74

Please note:

All Vario modules, frames and housings are available in the four standard colours and also in non-standard paintwork finishes. see page 122

Flush-mounted letterboxes
Systems with pass-through letterbox



Systems with post removal from the front



Turn age ...
 Siedle Vario 511 with combination frame KR 513-3 (left)

... into beauty:
 Siedle Vario 611 with combination frame KR 613-3 (top)



Turn age ...
 Siedle Vario 511 with combination frame KR 514-1/1 (left)

... into beauty:
 Siedle Vario 611 with combination frame KR 614-1/1 (top)

Combination frame for modernization of letterbox systems

The housing remains in the wall: Special combination frames permit letterbox systems series Vario 511 to be simply replaced by current models of the Vario 611 system.

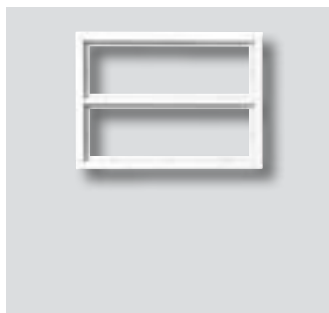
The frames are designed for integration of the letterboxes and functional modules of the current system into the existing grouted-in housing. When replacing, the existing installation and supply units can be retained.*
 Benefit: A new system in the current design – without costly masonry and caulking work.

- Fast, simple exchange using the existing housing
- Less effort and lower costs
- Effortless changeover to the design** and functional modules of the current system Vario 611
- Available for letterboxes with front removal and pass-through letterboxes in several finishes

* Dependent on the installation system and required functional scope.

** Due to the greater letterbox volume, the add-on height of the frame KR 614-1/1 is five centimeters.

System components

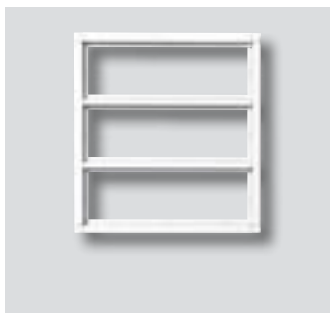


KR 613-2

Combination frame as an adapter in aluminium for modernization of door station KR 513-2 to the current series Vario 611.

Combination frame to accommodate a letter flap module BE 611-3/1-0 and mounting frame MR 611-3/1-0 for function modules/info sign module or surface area light in the upper section. The necessary accessories for mounting on the existing flush-mount housing are enclosed with the mounting frame.

Dimensions (mm) W x H x D:
331 x 242 x 15



KR 613-3

Combination frame as an adapter in aluminium for modernization of door station KR 513-3 to the current series Vario 611.

Combination frame to accommodate a letter flap module BE 611-3/1-0 and mounting frame MR 611-3/1-0 for function modules/info sign module or surface area light in the upper section. The necessary accessories for mounting on the existing flush-mount housing are enclosed with the mounting frame.

Dimensions (mm) W x H x D:
331 x 354 x 15



KR 613-4

Combination frame as an adapter in aluminium for modernization of door station KR 513-4 to the current series Vario 611.

Combination frame to accommodate a letter flap module BE 611-3/1-0 and mounting frame MR 611-3/1-0 for function modules/info sign module or surface area light in the upper section. The necessary accessories for mounting on the existing flush-mount housing are enclosed with the mounting frame.

Dimensions (mm) W x H x D:
331 x 465 x 15



BE 611-3/1-0

Letterbox flaps module made of extruded aluminium sheath, plastic-coated or painted.

The pass-through opening behind the flap can be adjusted in three stages: From the biggest possible opening of 30.5 mm to 20 mm, and if necessary the opening can be completely closed (e.g. during holiday periods). Self-closing flap, torsion-resistant, low-noise operation due to sealing lip. Pass-through and anti-pilfer device to DIN EN 13724. Can be screwed onto BKV 611-3/... or into a wall recess. Inscription field under the letterflap.

Only in conjunction with BKV 611-3/... or with user's own letter compartment.
Pass-through size (mm) W x H: 251 x 36
Nameplate size (mm) W x H: 85 x 16
Dimensions (mm) W x H x D:
299 x 99 x 6



VA/GU 513-0

Vario adapter for GU 513-0 flush-mount housing or as a mounting solution in panels with ZFB 611-0.

Adapter plate for accommodating a MR 611-3/1-0 mounting frame and KR 611-3/1-0 combination frame. Hot-dip galvanized sheet steel with fastening elements for easy mounting. Suitable for vertical or horizontal mounting.

Dimensions (mm) W x H x D:
84 x 304 x 30



MR 611-3/1-0

Mounting frame made of zinc die-cast, to accommodate 3 function modules. Suitable for vertical or horizontal mounting. With quick-release screws for flush-mount housing and Siedle Vario key.

Dimensions (mm) W x H x D:
99.5 x 299.5 x 17

Please note:

All Vario modules, frames and housings are available in the four standard colours and also in non-standard paintwork finishes. see page 122



KR 614-1/1

Combination frame as an adapter in aluminium for modernization of door station TL/BKGU 514-0 to the current series Vario 611.

Module housing to accommodate a letterbox or storage compartment module and a MR 611-4/1-0 mounting frame for function modules/information sign modules or surface area light in the upper section. The necessary accessories for mounting on the existing flush-mount housing are enclosed with the adapter. Because of the increased capacity of the letterbox, the frame stands approx. 50 mm proud of the wall.

A special solution is available on request for transverse mounting.

Dimensions (mm) W x H x D:
431 x 542 x 50



BKM 611-4/4-0

Letterbox module with pass-through flap, front removal door and letterbox. Pass-through and anti-pilfer device to DIN EN 13724.

Pass-through flap and removal door in plastic-coated or painted aluminium, torsion-resistant, hard-wearing, concealed plastic hinges. The nameplate is located under the letterbox flap. Convenient post removal door which brakes automatically at a pre-determined angle, safety lock with 2 keys.

Permanently integrated in the module is a large-format letterbox made of plastic, bottom-shaped as post support rack. The square design permits installation of letterbox module housings BGU/BGA 611-... Fitted for attachment to combination frame.

Pass-through size (mm) W x H:
351 x 32.5

Nameplate size (mm) W x H: 85 x 16

Mounting depth (mm): 117

Height of structure (mm): 6

Dimensions (mm) W x H x D:

399 x 399 x 123



MR 611-4/1-0

Mounting frame made of zinc die-cast, to accommodate 4 function modules. Suitable for vertical or horizontal mounting. With quick-release screws for flush-mount housing and Siedle Vario key.

Dimensions (mm) W x H x D:
99.5 x 399.5 x 17

Communication pedestal
Communication pedestal with letterbox



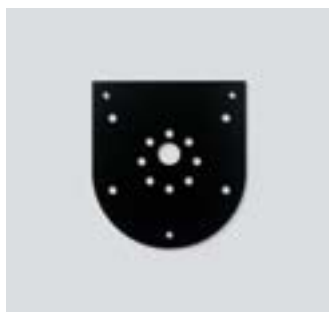
Communication pedestal

Free-standing systems are often exposed to the elements: wet weather, sunshine, exhaust fumes and diesel soot. Using a special adapter plate, series 611 communication pedestals fit precisely on the existing ground fixtures.



Communication pedestal with letterbox

When it was introduced in 1984, the Vario 511 series encompassed an enormous function spectrum – but its successor has even more to offer. A letterbox combined with information sign and lighting, for instance. Communication pedestals from the latest series can also be secured in the fixtures of the round letterbox column.



APS 611-0
Adapter plate in aluminium for mounting KSF 611 pedestals on the existing fixture for SB 511 or SRBK 511 from series Vario 511. Including mounting accessories.
Dimensions (mm) W x H x D:
228 x 209 x 12

Modernization of the free-standing door station

Mechanical components	for SB/SRBK
APS 611-0 + KSF 6... or BG/KSF 6... or RG/KSF 6...	SB 511-SB 514
APS 611-0 + KSF 6... or BG/KSF 6... or RG/KSF 6...	SRBK 511

Product description



IQ HTA
 HTA 811-0



HT 401



HT 511



HT 611



HTA 711

In-house telephone IQ HTA / HTA 811-0 as a replacement for
HT 401-...
HT 511-...
HT 611-...
HTA 711-...

Applications

In-house telephone in a contemporary design for replacement/upgrading in almost all existing Siedle systems with TLM 521 or 6+n technology.

Door station

- TL 111-..., TL 121-...
- TLE 051-...
- TLM 511-...
- TLE 511-..., TLE/TLM 521-... and predecessors

The IQ HTA can be used as a replacement for the Siedle in-house telephones with an additional power supply.

- LN 7145, LN 7150
- HT 111-02
- HT 211-02
- HT 311, HT 351
- HT 401a-01, HT 411-02
- HT 511-01
- HT 611-01
- HTA 711-01
- HTA 811-0

The HTA 811-0 circuitry can be used as a replacement for Siedle in-house telephones without any additional accessories or conversion.

- LN 7145, LN 7150
- HT 111-02
- HT 211-02
- HT 311, HT 351
- HT 401a-01, HT 411-02
- HT 511-01
- HT 611-01
- HTA 711-01

Design variants without panel	Order key white housing	Order key black housing
White	...W	-
Black	-	...S

Design variants with panel	Order key white housing	Order key black housing
Stainless steel	...E/W	...E/S
Aluminium	...A/W	...A/S
High gloss white	...WH/W	...WH/S
High gloss black	...SH/W	...SH/S
PVD black	...ES/W	...ES/S
PVD copper	...EK/W	...EK/S
PVD brass	...EM/W	...EM/S
PVD titanium	...ET/W	...ET/S

Note:

The IQ HTA indoor station is available in white without panel.

System components



HTA 811-0

Analogue in-house telephone for the replacement and expansion of existing door intercom systems with 6+n technology or wire-saving. With the basic functions calling, speech, door release and storey call. Electronic call generator with three-tone chime, alpha tone for door calls and continuous tone for storey calls. Performance features

- Potential-free door release and light button
- Integrated audio privacy device for all applications (assignment if required)
- Electronic call signal with door/storey call differentiation, alpha and continuous tone
- Stepless call volume adjustment max. 83 dB(A)
- Plug-in handset for simple assembly
- Conversion for table-top mounting using suitable accessory

Contact type: 2 n.o. contacts 24 V, 1 A
Ambient temperature: +5 °C to +40 °C
Dimensions (mm) W x H x D:
91 x 201 x 46



IQ HTA

In-house telephone for 6+n technology with WLAN interface for mobile extension through the Siedle app. With the call, speech, door release and light functions on the indoor station and on a smartphone with the Siedle app. The storey call is also available on the in-house telephone. Performance features:

- WLAN interface for the Siedle app
- The Siedle app behaves like an indoor device connected in parallel
- Additional indoor stations cannot be connected in parallel
- Potential-free door release and light button
- Integrated audio privacy function

Call volume up to max. 83 dB(A)
Operating voltage: 12–30 V DC
Operating current: max. 420 mA
Ambient temperature: +5 °C to +40 °C
Dimensions (mm) W x H x D:
91 x 201 x 48

Remarks:

- Additional indoor station power supply required.
- The indoor station with WLAN interface is available in white without panel.



Siedle App

The Siedle app turns a smartphone (iOS, Android) into a mobile extension of a door intercom system from Siedle, via the Siedle server. The app has been specially developed for the requirements of door communication. It receives the door call, shows a live video feed (depending on the system), establishes a speech connection and opens the door. With built-in security and the ultimate in convenience. The video feed is available before the call is accepted. The speech quality fulfils Siedle's stringent standards, and the door is opened by pressing the familiar key symbol.

The Siedle app is the mobile complement to a door intercom system and does not replace an indoor device. For this reason, Siedle recommends always including a wired indoor station in your system planning alongside the app.

The complete functional scope of the Siedle app is described in the Apple App Store and the Google Play Store.



ZT 811-01

Table-top accessory for the telephone HTA 811-... for conversion from a wall to a table-top unit. Slip-proof console with 2 rubber feet but without UAE 8/8(8) junction box. Connecting cable: 2 x 8-core 3 m long



NS 511-01

Secondary signal unit with electronic three-tone chime, alpha and continuous tone. Subtle low-profile design for surface mounting. Volume adjustable from outside, appr. 86 dB(A) operation in 12 V bell systems
Operating voltage: 12 V AC, 16–20 V DC
Operating current: max. 200 mA
Dimensions (mm) W x H x D:
107 x 107 x 25



NG 402-03

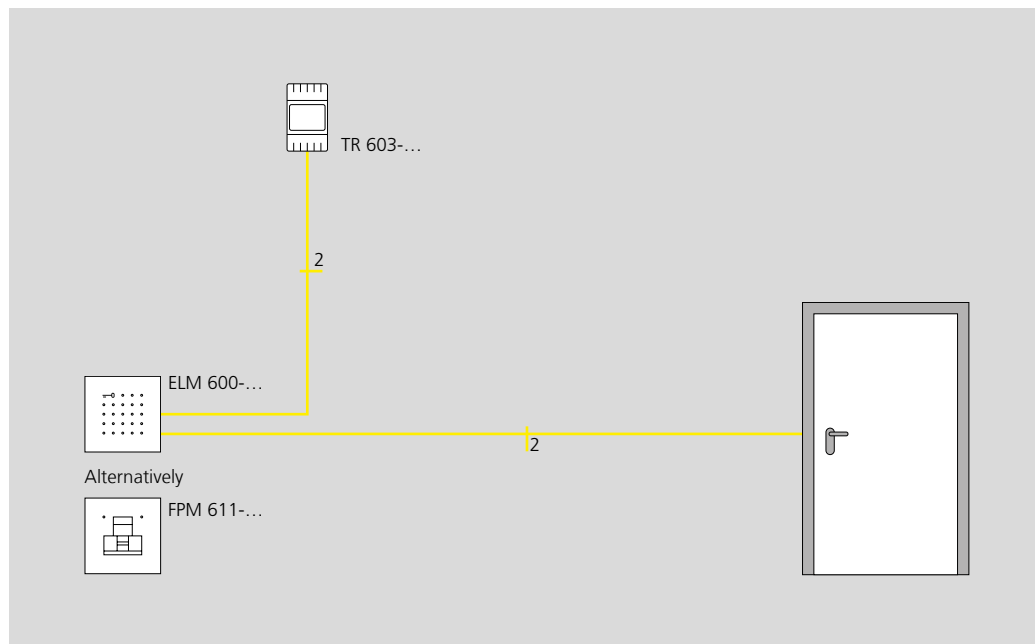
Line rectifier for 6+n technology and for P.O. amplifier unit PVG 402-...
Operating voltage: 230 V AC, +/-10 %, 50/60 Hz
Operating current: 200 mA
Output voltage: 8.3 V DC stabilized, 12 V AC
Output current: 2 A AC, 0.4 A DC
Fusing: primary Si1 T 200 mA L
Protection system: IP 20
Ambient temperature: 0 °C to +40 °C
Horizontal pitch (HP): 6
Dimensions (mm) W x H x D:
107 x 89 x 60



Access control

Stand alone operation	284
Entrance controller EC 602	285
Door controller IP TCIP 603	286
System components	287

Stand alone operation



Performance features

Fingerprint module (FPM 611-...)

- Up to 100 user fingerprints
- Up to 5 user groups

Convenient

- No more lost, mislaid or forgotten keys
- Always "at hand" without searching and rummaging
- An end to heavy, bulky key rings

Safe

- Eliminates theft and copying of keys
- No usable traces left behind
- Identification of "live" finger (bio detection)
- Locked mode

Reliable

- Unlimited outdoor use whatever the weather
- Ergonomic finger guidance
- Night design with illuminated display panel
- Reader learning capability

Performance features

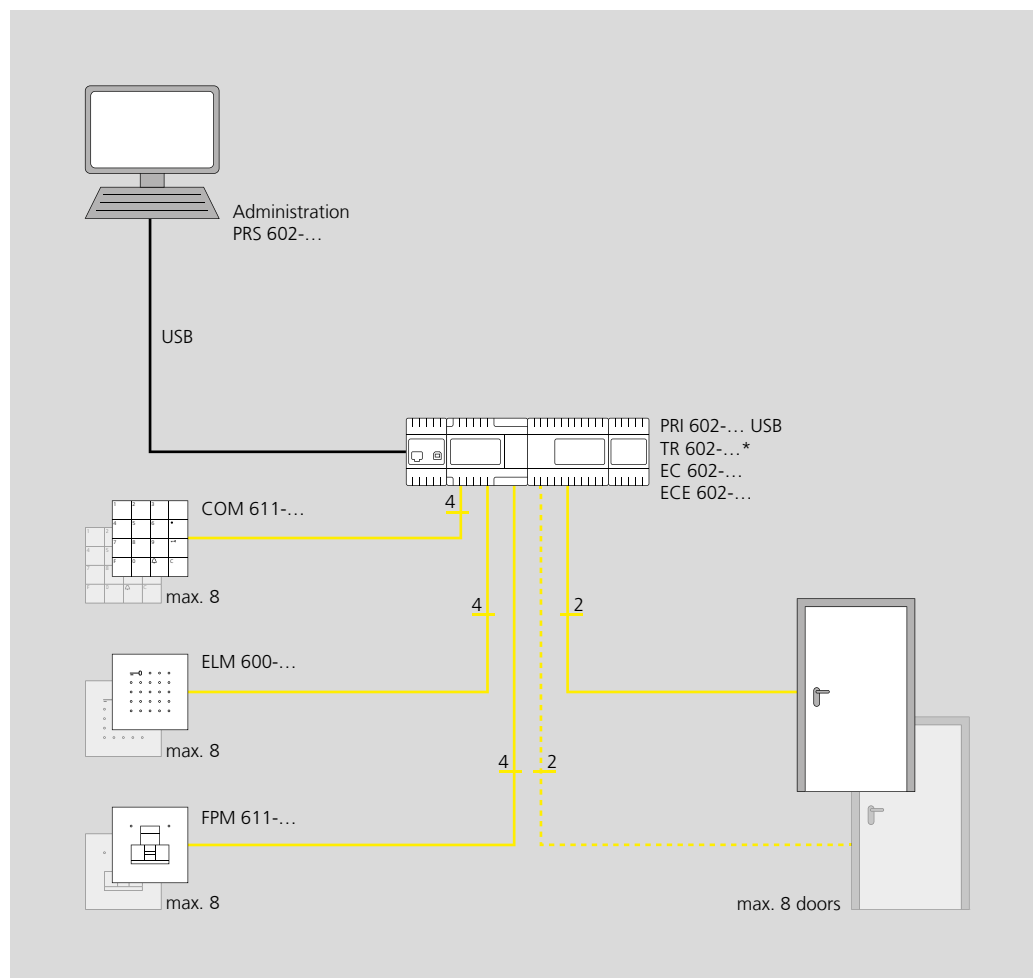
Electronic-key reading module (ELM 600-...)

- Up to 9 keys/cards
- Simple application
- Ideal for children and the elderly
- Keys in the form of key ring tags or cards
- No need to exchange locking system due to loss of keys

Please note:

To protect the modules from theft or tampering, we recommend using the anti-pilfer device. This is listed as an accessory with each of the Vario/Classic/Steel product families.

Entrance controller EC 602



Performance features

- Up to 8 doors can be networked
- Up to 899 keys/cards and 100 fingerprints
- Adjustable door unlocking time
- Up to 8 free switching contacts
- Convenient programming using the PC and bus programming software PRS 602

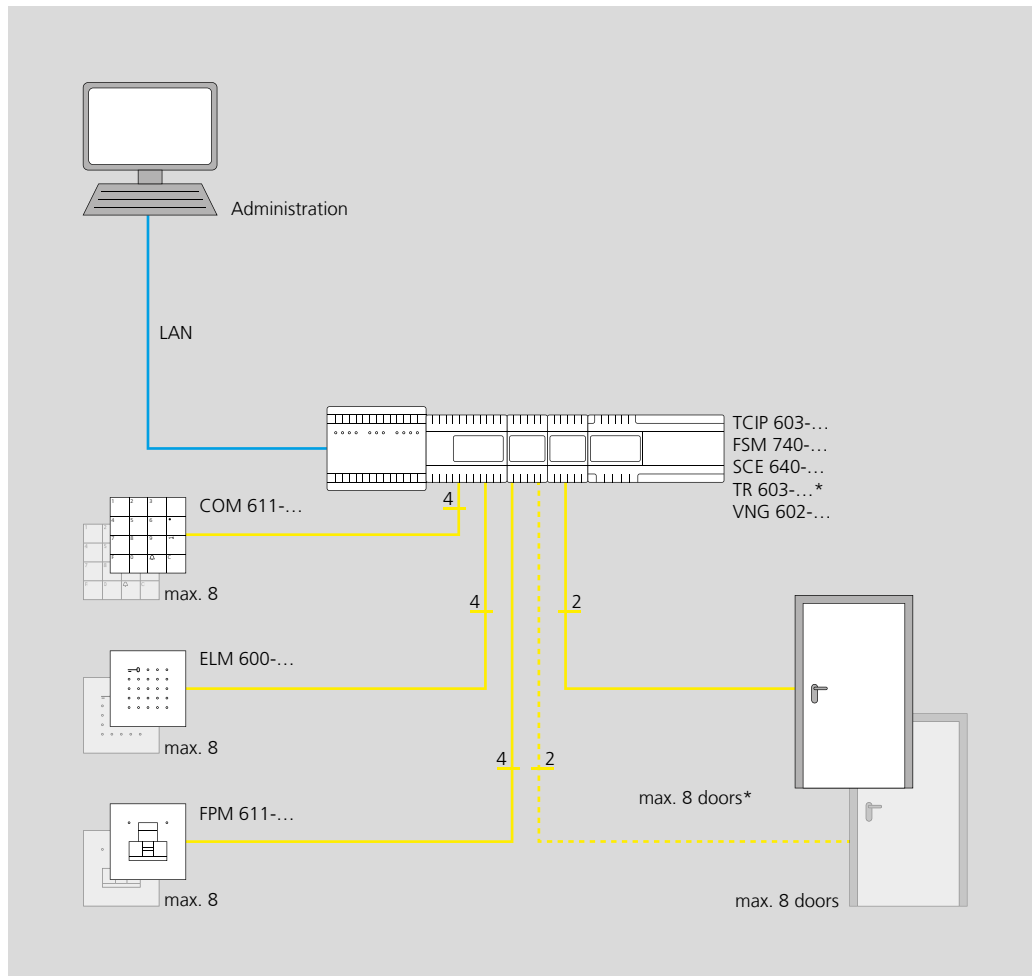
* Depending on the application, additional TR 602-... or TR 603-... transformers must be provided.

Please note:

To protect the modules from theft or tampering, we recommend using the anti-pilfer device. This is listed as an accessory with each of the Vario/Classic/Steel product families.

Where requirements exceed simple control of a single door, the entrance controller EC 602 is capable of networking up to eight doors. Typical fields of application include residential complexes with several entrances or commercial and office blocks of all kinds. The controller carries out a match between the data bases of the networked units. Codes only have to be programmed once for all connected doors, and fingerprints or cards only need to be read in (or deleted again) once. The central user management system considerably simplifies management where several entrances are involved, particularly as it is performed with optimum convenience by means of software on a PC. Logging is also possible via the PC interface. Alongside the door, the controller also operates additional switching contacts if required by means of code or fingerprint entry, for instance the outside light, the alarm system or a silent alarm. The entrance controller EC 602 is capable of networking the fingerprint recognition system Siedle Fingerprint, the Electronic Key transponder system and the numerical code lock, also in hybrid configurations. The Siedle fingerprint, electronic key and the code lock are available for Siedle Vario, Siedle Classic and Siedle Steel.

Door controller IP TCIP 603



Performance features

- Networking of up to 8 doors possible
- Ethernet interface 10/100 BaseT
- Operating system and PC software independent thanks to integrated web server
- Multiple languages
- Up to 500 users
- Management of access rights by users/ access groups
- Graduated user profile depending on access rights and sphere of work
- Flexible time profiles, 20 time profiles each with 3 time zones per day
- Time synchronization via NTP server
- Public holiday/vacation calendar
- Event memory for 1000 entries
- Attendance/absentee list
- "Anti pass back" (prevents second access attempt before previous exit)
- Enhanced security by combining identification methods
- Adjustable door unlocking time
- Additional door unlocking time, e.g. for disabled users
- Variable "Door open" time, e.g. during opening hours
- Programmable inputs for evaluation of the door release checkback contact or for door release (request to exit)
- "Door open" monitoring
- Entrance/exit reader possible

* Depending on the application, additional TR 602-... or TR 603-... transformers must be provided.

Please note:

To protect the modules from theft or tampering, we recommend using the anti-pilfer device. This is listed as an accessory with each of the Vario/Classic/Steel product families.

In conjunction with door controller IP, the Siedle access control system is capable of complying with high-level specifications in medium-sized buildings. While in terms of its price, input and complexity, the system remains easily manageable, its functional versatility extends to the field of professional access control requirements. The Ethernet interface and integrated web server make this a universally applicable system.

Typical fields of application include medium-sized companies requiring different time zones and graduated access entitlement levels for different user groups. The system allows, for instance, general access to all rooms to be afforded at any time to senior management members, while IT experts may enter the data processing room between 8.00 and 17.00 hours, and cleaning staff only from 17.00 to 18.00 hours.

The system logs all events and keeps an automatic attendance list.

For areas involving stringent security restrictions, several access control systems may be used in combination, for example fingerprint recognition as well as a code or card.

The door controller IP is capable of networking the fingerprint recognition system Siedle Fingerprint, the Electronic Key transponder system and the numerical code lock, also in hybrid configurations.

The Siedle fingerprint, electronic key and the code lock are available for Siedle Vario, Siedle Classic and Siedle Steel.

System components



ELM 600-0

Electronic key reading module with MIFARE DESFire EV1/2 technology as contactless access control system with function LED. Compatible with the new EK/EKC 600-... electronic keys or cards. As reading unit of electronic keys or cards for opening doors, gates etc.

Suitable for:

- Stand-alone operation
A maximum of 9 electronic keys or cards can be used.
- Operation with entrance controller EC 602-...
A maximum of 899 electronic keys or cards can be used.
Programming takes place using PRI 602-... USB or PRI 602-... and PRS 602-...
- Operation with door controller IP TCIP 603-...
A maximum of 500 users possible (larger systems on request).
Programming via web browser
Operating voltage: 12 V AC or 12–30 V DC
Operating current: max. 120 mA or max. 50 mA
Contact type: contact 24 V, 2 A
Protection system: IP 54
Ambient temperature: –20 °C to +55 °C
Dimensions (mm) W x H x D:
99 x 99 x 27



COM 611-02

Code lock module as an input unit for the placement of codes for control functions in conjunction with the Siedle Vario bus.

- in conjunction with entrance controller EC 602-... for setting control function and access control codes.
Programming takes place using PRI 602-... or PRI 602-... USB and PRS 602-...
 - in conjunction with door controller IP TCIP 603-... for setting control function and access control codes.
Programming via web browser
 - Operation with call controller RC 602-... for programming codes for door calls.
- Operating elements:
A C button to delete incorrect entries and a DR button for direct door release. This door release function can additionally be controlled by a time switch provided by the user. An integrated LED can be used via an external potential-free contact as a status indication.
- Operating voltage: 12 V AC
Operating current: max. 140 mA
Protection system: IP 54
Ambient temperature: –20 °C to +55 °C
Dimensions (mm) W x H x D:
99 x 99 x 27



FPM 611-02

Fingerprint module as access control system with function LED.

- Up to 100 user fingerprints
 - Up to 5 user groups
- Suitable for:
- Stand-alone operation
 - Operation with entrance controller EC 602-...
Programming takes place using PRI 602-... USB or PRI 602-... and PRS 602-...
 - Operation with door Controller IP TCIP 603-...
Programming by means of web browser
Operating voltage: 12 V AC
Operating current: max. 250 mA
Contact type: contact 24 V, 2 A
Switching time: 3 sec
Protection system: IP 54
Ambient temperature: –20 °C to +55 °C
Height of structure (mm): 17
Dimensions (mm) W x H x D:
99 x 99 x 43

Please note:

It is advisable to read in the prints of at least 2 fingers per person to ensure that access is still possible in case of injury to a read-in finger.

A maximum of 5 user groups can be formed in "stand-alone operation". Individual fingerprints cannot be removed. Only the complete group can be removed at a time.

It may be the case, particularly with children or the elderly, that fingerprints cannot be successfully scanned-in due to absent or insufficient biometric characteristics.

For test purposes, demonstration cases are available for loan to electrical installers. These can be requested through the Siedle Service.
See page 320



SM 611-01

Lock module to control gates/roller doors, driveways, garages etc., with two-stage touch contact; no locking cylinder.

- Integration of the SM 611-01 in the GA 612-... is not possible (due to mounting depth).
- All profile half-cylinders to DIN (appr. 40 mm overall length) can be used.
- Contact type: contact 24 V, 2 A
- Mounting depth (mm): 41
- Protection system: IP 54
- Ambient temperature: –20 °C to +55 °C
- Height of structure (mm): 9
- Dimensions (mm) W x H x D:
99 x 99 x 50



EK 600-0

Electronic key in conjunction with the electronic key reading modules. Each electronic key is unique, completely encapsulated and works without battery. The EK 600-... can only be destroyed by inflicting mechanical damage.
Protection system: IP 65
Ambient temperature: –20 °C to +55 °C
Dimensions (mm) W x H x D:
35 x 44 x 4.5



EKC 600-0

Electronic key card in conjunction with the Siedle electronic key reading modules. Each electronic card is unique, completely encapsulated and works without battery. The EKC 600-... can only be destroyed by inflicting mechanical damage.
Protection system: IP 67
Ambient temperature: –20 °C to +55 °C
Dimensions (mm) W x H x D: 85 x 54 x 1

System components



EC 602-03
 Entrance controller in switch panel housing for code lock module COM 611-..., electronic key reading module ELM 6xx-... or fingerprint module FPM 611-...
 Display-supported programming of integrated buttons, or by means of PC software via additional programming interface PRI 602-... Electronic evaluating circuit with 2 switching outputs, extendable to 8 with ECE 602-..., 2 control inputs for time-controlled access rights.
 Operating voltage: 12 V AC
 Operating current: 150 mA
 Contact type: 2 changeover switches 24 V, 2 A
 Ambient temperature: 0 °C to +40 °C
 Protection system: IP 20
 Horizontal pitch (HP): 6
 Dimensions (mm) W x H x D: 107 x 89 x 60



ECE 602-0
 Entry controller extension in switch panel housing. Upgrades the EC 602-... by a further 6 working contacts.
 Operating voltage: 12 V AC
 Operating current: max. 400 mA
 Contact type: 6 n.o. contacts, 24 V, 2 A
 Ambient temperature: 0 °C to +40 °C
 Protection system: IP 20
 Horizontal pitch (HP): 3
 Dimensions (mm) W x H x D: 53.5 x 89 x 60



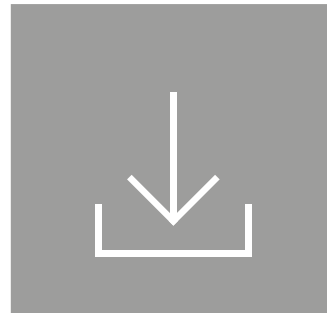
ZRCE 602-0
 Ribbon cable, each with plug at either end (appr. 35 cm long). For connection of extension units CCE/RCE/ECE 602-... with the relevant upstream unit with a line skip in the distribution.



PRI 602-01 USB
 The programming interface PRI 602-... USB in a switch panel housing connects a Windows PC via the USB port to the Siedle In-Home bus and the Siedle Vario bus.
 Connection to the line rectifiers BNG 650-... and BVNG 650-... via ZBVG 650-...
 Interface to the Siedle In-Home bus via 8-pin Western socket or via screw terminals.
 Only one PRI 602-... USB can be connected to a PC.
 System requirements:
 Windows PC – Vista, Win 7/8/10
 Operating voltage: 10–15 V AC or 10–30 V DC
 Protection system: IP 20
 Ambient temperature: 0 °C to +40 °C
 Horizontal pitch (HP): 3
 Dimensions (mm) W x H x D: 53.5 x 89 x 60



PRI 602-0
 The programming interface connects an IBM-compatible Windows PC with the Vario bus system.
 The electronic conversion circuit is equipped with a bilateral connecting cable from Sub-D plug (RS232) to 6-pin telecom/Western connector, appr. 3.5 m long. A 6-pin telecom/Western socket (ZWA 640-... recommended) must be provided in conjunction with the Vario bus system.
 System requirements:
 Windows PC – Vista, Win 7/8/10
 Operating voltage: 10–15 V AC
 Protection system: IP 30
 Ambient temperature: 0 °C to +40 °C
 Horizontal pitch (HP): 3
 Dimensions (mm) W x H x D: 90 x 65 x 25



PRS 602-02
 Programming software suitable for programming the Vario bus components.
 System requirements: Windows PC – Vista, Win 7/8/10



VBPS 602-02
 Vario bus protocol software for logging telegrams on the Siedle Variobus, e.g. for monitoring Siedle access control. For Microsoft® Windows 7/8.1. The programming interface PRI 602-... is required.
 System requirements:
 • PC with Intel® Pentium® from 1 GHz or comparable processor
 • Operating systems Microsoft® Windows 7, Windows 8
 • Min. 1 GB RAM
 • Min. 1 GB hard disk memory
 • Browser for display of help file

**TCIP 603-03**

Door controller IP TCIP 603-... as a control unit for management of access entitlement in private homes and commercial properties.

It is operated directly via a PC network (Ethernet standard 10/100 Mbit). Operation takes place using Microsoft Internet Explorer, current version.

- Actuation possible via COM 611-... code lock module, ELM 600-.../ELM 611-... electronic key reading module or FPM 611-... fingerprint module. To increase security, 2 different access modules – e.g. COM/FPM 611-... – can be used in combination.
 - Password protected
 - Central management in the network via any optional PC (Internet Explorer current version)
 - Logging of access and system data
 - Attendance/absentee list as log (when using separate entrance and exit readers, i.e. 2 readers per door)
 - 5 inputs (e.g. door contacts)
 - 4 outputs (e.g. door releases)
 - Can be extended with further inputs and outputs with FSM 740-... and SCE 640-...
 - Connection to Ethernet via RJ45 interface
 - LEDs for status display of inputs/outputs
 - 20 different time models possible
 - Max. 40 access groups
 - Management of up to 8 doors
 - Max. 500 users with 4 characteristics per user such as fingerprint, card or code
 - Max. 100 fingerprints can be scanned in
 - Variable public holiday and vacation profiles
 - Automatic time changeover (summer-time/normal time)
- Operating voltage: 20–30 V DC
 Operating current: max. 700 mA
 Contact type: Contact 15 V AC, 30 V DC, 2 A
 Protection system: IP 20
 Ambient temperature: 0 °C to +40 °C
 Dimensions (mm) W x H x D:
 131 x 111 x 52

**FSM 740-02**

Remote switching and control module in switch panel housing with 3 inputs and 2 outputs. 3 potential-free sensor/control inputs, and 2 potential-free changeover contacts. Contact extension possible with the SCE 640-...
 In conjunction with TCIP 603-... for extending the number of inputs/outputs, or in conjunction with Siedle Multi for activation and execution of switching/control functions, and for leaving messages. Switching outputs programmable. Integrated keypad with display for menu-prompted programming.
 Operating voltage: 20–30 V DC
 Operating current: max. 100 mA
 Contact type: 2 changeover switches 24 V, 2 A
 Ambient temperature: 0 °C to +40 °C
 Horizontal pitch (HP): 6
 Protection system: IP 20
 Dimensions (mm) W x H x D:
 107 x 89 x 60

**SCE 640-0**

Switching controller extension in switch panel housing with 8 relay contacts, common reference point. Connection via ribbon cable directly to control units such as LC 640-... or FSM 740-...
 Contact type: 8 n.o. contacts 24 V, 1 A
 Ambient temperature: 0 °C to +40 °C
 Protection system: IP 20
 Horizontal pitch (HP): 3
 Dimensions (mm) W x H x D:
 53.5 x 89 x 60

System components



TR 603-0

Transformer in switch panel housing for supplying system and additional components.
 Operating voltage: 230 V AC, +/-10 %, 50/60 Hz
 Operating current: 100 mA
 Output voltage: 12 V AC
 Output current: max. 1.3 A
 Fusing: primary thermal fuse, secondary short circuit proof
 Protection system: IP 20
 Ambient temperature: 0 °C to +40 °C
 Horizontal pitch (HP): 3
 Dimensions (mm) W x H x D: 53.5 x 89 x 60



TR 602-01

Transformer in switch panel housing, to supply supplementary components.
 Operating voltage: 230 V AC, +/-10 %, 50/60 Hz
 Operating current: 170 mA
 Output voltage: 12 V AC
 Output current: max. 2.5 A
 Fusing: primary Si1 T 200 mA L, secondary side with thermal fuse
 Protection system: IP 20
 Ambient temperature: 0 °C to +40 °C
 Horizontal pitch (HP): 6
 Dimensions (mm) W x H x D: 107 x 89 x 60

TR 602-1 USA

Operating voltage: 125 V AC, +6 %/-10 %, 50/60 Hz
 Operating current: 310 mA
 Fusing: primary Si1 T 400 mA L
 For further technical details please see above.



VNG 602-02

Video line rectifier in a switch panel housing for central supply of video door intercom systems.
 Operating voltage: 230 V AC, +/-10 %, 50/60 Hz
 Operating current: 250 mA
 Output voltage: 30 V DC
 Output current: 1.1 A
 Fusing: Si 1 T 315 mA, secondary side thermal fuse
 Protection system: IP 20
 Ambient temperature: 0 °C to +40 °C
 Horizontal pitch (HP): 10
 Dimensions (mm) W x H x D: 180 x 89 x 60

VNG 602-12 USA

Operating voltage: 120 V AC, +/-10 %, 50/60 Hz
 Operating current: 400 mA
 Fusing: Si 1 T 630 mA, secondary side thermal fuse
 For further technical details please see above.



DSC 602-0

Pilfer safeguard controller in a switch panel housing to control a maximum of 2 pilfer safeguard accessories ZDS 601-...
 Using 2 integrated buttons, the mounting frame can be locked and unlocked. An LED flashes to indicate that the release button at the DSC 602-... has been activated. It is only possible to lock the mounting frame after removing the Vario key.
 Operating voltage: 12 V AC
 Operating current: max. 100 mA
 Protection system: IP 20
 Ambient temperature: 0 °C to +40 °C
 Horizontal pitch (HP): 3
 Dimensions (mm) W x H x D: 53.5 x 89 x 60



ZDS 601-0

Anti-pilfer accessory with bistable magnet for integration into mounting frame MR 611-...
 A stable metal plate is used to lock the release mechanism and prevents the removal of function modules.
 Ambient temperature: -20 °C to +55 °C
 Dimensions (mm) W x H x D: 22.4 x 9 x 13.5

Servicing

Siedle lettering service	294
Training	295
Sales promotion	295
Discontinued articles, parts for replacement and upgrading	296
Spare parts	306
Article index / order designations	312
Glossary of key terms	316
Customer support and customer advice	318
After-sales service	320

Siedle lettering service



Cohesive appearance – optimum legibility

Whether a name, company designation, logo or opening hours: On request, Siedle will be pleased to provide the lettering for your communication system.

Typography is part of the system design – which is why the Siedle lettering service guarantees a perfect, standardized appearance and easy legibility on buttons, panels or info signs. Siedle uses film or screen printing methods, and can print implementing graphic images such as logos, also in more than one colour.

The metal surfaces of the Siedle Steel and Siedle Classic ranges can also be engraved. Siedle Steel also offers the option of laser cutting technology.

Within the framework of the Manufacture range, we also customize and inscribe indoor stations.

Your Siedle advisor or our lettering service will be pleased to help you in the selection of the optimum inscription.

Siedle lettering service
Postfach 1155
DE-78113 Furtwangen

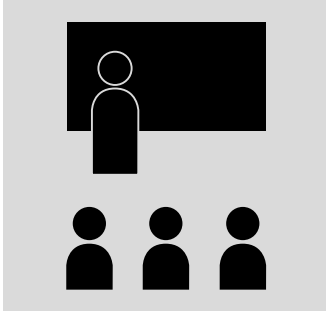
Tel. +49 7723 63-451
Fax +49 7723 63-72451

inscriptions@siedle.de

Ordering inscriptions

Online forms for ordering individual inscriptions are located under www.siedle.com/lettering

Training



Presence training



Online training

At Siedle, we attach great importance to training and instruction for our sales partners. This is why we offer a comprehensive modular program of seminars, also tailored to the needs of the trade, fitters and installers, planners and architects.

The complete program of seminars and current dates can be found on our website or by contacting: training@siedle.de.

Sales promotion



A picture may paint more than a thousand words, but there is no picture or brochure quite as effective as hands-on experience of the real product at work. This applies particularly to Siedle, as the quality of our devices takes in every one of the five senses. So take the very best argument there is with you when you visit your customers: the products themselves. Naturally with our support behind you.

A complete overview of our sales promotion media including facility for order placement and booking is available in the trade partner area of our website at www.siedle.de.

Discontinued articles, parts for replacement and upgrading

Article designation	Article description	Colour/Material
ACM 670-03 BG	Access camera 80 for Siedle Vario	Micaceous amber
ACM 670-03 SH	Access camera 80 for Siedle Vario	High gloss black
ACM 670-03 WH	Access camera 80 for Siedle Vario	High gloss white
ACM 671-0 AG	Access camera 80 for Siedle Vario	Anthracite grey
ACM 671-0 DG	Access camera 80 for Siedle Vario	Micaceous dark grey
ACM 671-0 SM	Access camera 80 for Siedle Vario	Silver metallic
ACM 671-0 W	Access camera 80 for Siedle Vario	White
ACM 673-01 AG	Access camera 130 for Siedle Vario	Anthracite grey
ACM 673-01 DG	Access camera 130 for Siedle Vario	Micaceous dark grey
ACM 673-01 SM	Access camera 130 for Siedle Vario	Silver metallic
ACM 673-01 W	Access camera 130 for Siedle Vario	White
ACM 673-01 BG	Access camera 130 for Siedle Vario	Micaceous amber
ACM 673-01 SH	Access camera 130 for Siedle Vario	High gloss black
ACM 673-01 WH	Access camera 130 for Siedle Vario	High gloss white
ACM 678-01 AG	Access camera 180 for Siedle Vario	Anthracite grey
ACM 678-01 DG	Access camera 180 for Siedle Vario	Micaceous dark grey
ACM 678-01 SM	Access camera 180 for Siedle Vario	Silver metallic
ACM 678-01 W	Access camera 180 for Siedle Vario	White
ACM 678-01 BG	Access camera 180 for Siedle Vario	Micaceous amber
ACM 678-01 SH	Access camera 180 for Siedle Vario	High gloss black
ACM 678-01 WH	Access camera 180 for Siedle Vario	High gloss white
AD 110-01	Junction box	Cream
AD 120-0	Junction box for monitor	Cream
AD 503-0 W	Junction box	White
AD 711-0/16	Junction box	Cream
AFM 611-4/4-0 BG	Storage compartment module	Micaceous amber
AFM 611-4/4-0 SH	Storage compartment module	High gloss black
AFM 611-4/4-0 WH	Storage compartment module	High gloss white
AHF 870-0 EG/S	Access handsfree telephone	Gold/black
AHF 870-0 EG/W	Access handsfree telephone	Gold/white
AHF 870-0 A/S	Access handsfree telephone	Aluminium/black
AHF 870-0 A/W	Access handsfree telephone	Aluminium/white
AHF 870-0 E/S	Access handsfree telephone	Stainless steel/black
AHF 870-0 E/W	Access handsfree telephone	Stainless steel/white
AHF 870-0 S	Access handsfree telephone	Black
AHF 870-0 SH/S	Access handsfree telephone	High gloss black/black
AHF 870-0 SH/W	Access handsfree telephone	High gloss black/white
AHF 870-0 W	Access handsfree telephone	White
AHF 870-0 WH/S	Access handsfree telephone	High gloss white/black
AHF 870-0 WH/W	Access handsfree telephone	High gloss white/white
AHFV 870-0 A/S	Access video handsfree telephone	Aluminium/black
AHFV 870-0 A/W	Access video handsfree telephone	Aluminium/white
AHFV 870-0 E/S	Access video handsfree telephone	Stainless steel/black
AHFV 870-0 E/W	Access video handsfree telephone	Stainless steel/white
AHFV 870-0 S	Access video handsfree telephone	Black
AHFV 870-0 SH/S	Access video handsfree telephone	High gloss black/black

Article designation	Article description	Colour/Material
AHFV 870-0 SH/W	Access video handsfree telephone	High gloss black/white
AHFV 870-0 W	Access video handsfree telephone	White
AHFV 870-0 WH/S	Access video handsfree telephone	High gloss white/black
AHFV 870-0 WH/W	Access video handsfree telephone	High gloss white/white
AHFV 870-0 EG/S	Access video handsfree telephone	Gold/black
AHFV 870-0 EG/W	Access video handsfree telephone	Gold/white
AHT 870-0 EC/S	Access in-house telephone	Chrome/black
AHT 870-0 EC/W	Access in-house telephone	Chrome/white
AHT 870-0 EG/S	Access in-house telephone	Gold/black
AHT 870-0 EG/W	Access in-house telephone	Gold/white
AHTV 870-0 EC/S	Access video in-house telephone	Chrome/black
AHTV 870-0 EC/W	Access video in-house telephone	Chrome/white
AHTV 870-0 EG/S	Access video in-house telephone	Gold/black
AHTV 870-0 EG/W	Access video in-house telephone	Gold/white
ATLM 670-0 BG	Access door loudspeaker module	Micaceous amber
ATLM 670-0 SH	Access door loudspeaker module	High gloss black
ATLM 670-0 WH	Access door loudspeaker module	High gloss white
AVP 870-0 EC/S	Access video panel	Chrome/black
AVP 870-0 EC/W	Access video panel	Chrome/white
AW 101-0	Terminating resistor	Others
BCM 651-0 AG	Bus camera 80 for Siedle Vario	Anthracite grey
BCM 651-0 DG	Bus camera 80 for Siedle Vario	Micaceous dark grey
BCM 651-0 SM	Bus camera 80 for Siedle Vario	Silver metallic
BCM 651-0 W	Bus camera 80 for Siedle Vario	White
BCM 653-01 AG	Bus camera 130 for Siedle Vario	Anthracite grey
BCM 653-01 DG	Bus camera 130 for Siedle Vario	Micaceous dark grey
BCM 653-01 SM	Bus camera 130 for Siedle Vario	Silver metallic
BCM 653-01 W	Bus camera 130 for Siedle Vario	White
BCM 653-01 BG	Bus camera 130 for Siedle Vario	Micaceous amber
BCM 653-01 SH	Bus camera 130 for Siedle Vario	High gloss black
BCM 653-01 WH	Bus camera 130 for Siedle Vario	High gloss white
BCM 658-01 BG	Bus camera 180 for Siedle Vario	Micaceous amber
BCM 658-01 SH	Bus camera 180 for Siedle Vario	High gloss black
BCM 658-01 WH	Bus camera 180 for Siedle Vario	High gloss white
BCM 658-01 AG	Bus camera 180 for Siedle Vario	Anthracite grey
BCM 658-01 DG	Bus camera 180 for Siedle Vario	Micaceous dark grey
BCM 658-01 SM	Bus camera 180 for Siedle Vario	Silver metallic
BCM 658-01 W	Bus camera 180 for Siedle Vario	White
BCMC 650-03 BG	Bus camera 80 for Siedle Vario	Micaceous amber
BCMC 650-03 SH	Bus camera 80 for Siedle Vario	High gloss black
BCMC 650-03 WH	Bus camera 80 for Siedle Vario	High gloss white
BE 611-3/1-0 BG	Letter flap	Micaceous amber
BE 611-3/1-0 SH	Letter flap	High gloss black
BE 611-3/1-0 WH	Letter flap	High gloss white
BE 611-4/1-0 BG	Letter flap	Micaceous amber
BE 611-4/1-0 SH	Letter flap	High gloss black
BE 611-4/1-0 WH	Letter flap	High gloss white

Article designation	Article description	Colour/Material
BFC 850-0 EC/S	Comfort handsfree bus telephone intercom	Chrome/black
BFC 850-0 EC/W	Comfort handsfree bus telephone intercom	Chrome/white
BFC 850-0 EG/S	Comfort handsfree bus telephone intercom	Gold/black
BFC 850-0 EG/W	Comfort handsfree bus telephone intercom	Gold/white
BFS 850-02 A/S	Standard bus handsfree telephone	Aluminium/black
BFS 850-02 A/W	Standard bus handsfree telephone	Aluminium/white
BFS 850-02 E/S	Standard bus handsfree telephone	Stainless steel/black
BFS 850-02 E/W	Standard bus handsfree telephone	Stainless steel/white
BFS 850-02 EC/S	Standard bus handsfree telephone	Chrome/black
BFS 850-02 EC/W	Standard bus handsfree telephone	Chrome/white
BFS 850-02 EG/S	Standard bus handsfree telephone	Gold/black
BFS 850-02 EG/W	Standard bus handsfree telephone	Gold/white
BFS 850-02 S	Standard bus handsfree telephone	Black
BFS 850-02 SH/S	Standard bus handsfree telephone	High gloss black/black
BFS 850-02 SH/W	Standard bus handsfree telephone	High gloss black/white
BFS 850-02 W	Standard bus handsfree telephone	White
BFS 850-02 WH/S	Standard bus handsfree telephone	High gloss white/black
BFS 850-02 WH/W	Standard bus handsfree telephone	High gloss white/white
BFSV 850-03 A/S	Standard handsfree bus telephone with colour monitor	Aluminium/black
BFSV 850-03 A/W	Standard handsfree bus telephone with colour monitor	Aluminium/white
BFSV 850-03 E/S	Standard handsfree bus telephone with colour monitor	Stainless steel/black
BFSV 850-03 E/W	Standard handsfree bus telephone with colour monitor	Stainless steel/white
BFSV 850-03 EC/S	Standard handsfree bus telephone with colour monitor	Chrome/black
BFSV 850-03 EC/W	Standard handsfree bus telephone with colour monitor	Chrome/white
BFSV 850-03 EG/S	Standard handsfree bus telephone with colour monitor	Gold/black
BFSV 850-03 EG/W	Standard handsfree bus telephone with colour monitor	Gold/white
BFSV 850-03 S	Standard handsfree bus telephone with colour monitor	Black
BFSV 850-03 SH/S	Standard handsfree bus telephone with colour monitor	High gloss black/black
BFSV 850-03 SH/W	Standard handsfree bus telephone with colour monitor	High gloss black/white
BFSV 850-03 W	Standard handsfree bus telephone with colour monitor	White
BFSV 850-03 WH/S	Standard handsfree bus telephone with colour monitor	High gloss white/black
BFSV 850-03 WH/W	Standard handsfree bus telephone with colour monitor	High gloss white/white
BKM 611-4/4-0 BG	Letterbox module with pass-through flap	Micaceous amber
BKM 611-4/4-0 GM	Letterbox module with pass-through flap	Graphite brown metallic
BKM 611-4/4-0 SH	Letterbox module with pass-through flap	High gloss black
BKM 611-4/4-0 TM	Letterbox module with pass-through flap	Titanium metallic
BKM 611-4/4-0 WH	Letterbox module with pass-through flap	High gloss white
BM 611-0 BG	Dummy module	Micaceous amber
BM 611-0 GM	Dummy module	Graphite brown metallic

Article designation	Article description	Colour/Material
BM 611-0 SH	Dummy module	High gloss black
BM 611-0 TM	Dummy module	Titanium metallic
BM 611-0 WH	Dummy module	High gloss white
BMM 611-0 BG	Movement sensor module	Micaceous amber
BMM 611-0 GM	Movement sensor module	Graphite brown metallic
BMM 611-0 SH	Movement sensor module	High gloss black
BMM 611-0 TM	Movement sensor module	Titanium metallic
BMM 611-0 WH	Movement sensor module	High gloss white
BNS 640-0 W	Secondary signal unit	White
BSG 650-02	Bus control unit	Black
BTC 850-02 EC/S	Comfort bus telephone	Chrome/black
BTC 850-02 EC/W	Comfort bus telephone	Chrome/white
BTC 850-02 EG/S	Comfort bus telephone	Gold/black
BTC 850-02 EG/W	Comfort bus telephone	Gold/white
BTCV 850-03 EC/S	Comfort bus telephone with colour monitor	Chrome/black
BTCV 850-03 EC/W	Comfort bus telephone with colour monitor	Chrome/white
BTCV 850-03 EG/S	Comfort bus telephone with colour monitor	Gold/black
BTCV 850-03 EG/W	Comfort bus telephone with colour monitor	Gold/white
BTLE 050-04	Bus custom-fit door loudspeaker	Black
BTLM 650-04 BG	Bus door loudspeaker module	Micaceous amber
BTLM 650-04 GM	Bus door loudspeaker module	Graphite brown metallic
BTLM 650-04 SH	Bus door loudspeaker module	High gloss black
BTLM 650-04 TM	Bus door loudspeaker module	Titanium metallic
BTLM 650-04 WH	Bus door loudspeaker module	High gloss white
BTM 650-01 BG	Bus call button module	Micaceous amber
BTM 650-01 GM	Bus call button module	Graphite brown metallic
BTM 650-01 SH	Bus call button module	High gloss black
BTM 650-01 TM	Bus call button module	Titanium metallic
BTM 650-01 WH	Bus call button module	High gloss white
BTM 650-02 BG	Bus call button module	Micaceous amber
BTM 650-02 GM	Bus call button module	Graphite brown metallic
BTM 650-02 SH	Bus call button module	High gloss black
BTM 650-02 TM	Bus call button module	Titanium metallic
BTM 650-02 WH	Bus call button module	High gloss white
BTM 650-03 BG	Bus call button module	Micaceous amber
BTM 650-03 GM	Bus call button module	Graphite brown metallic
BTM 650-03 SH	Bus call button module	High gloss black
BTM 650-03 TM	Bus call button module	Titanium metallic
BTM 650-03 WH	Bus call button module	High gloss white
BTM 650-04 BG	Bus call button module	Micaceous amber
BTM 650-04 GM	Bus call button module	Graphite brown metallic
BTM 650-04 SH	Bus call button module	High gloss black
BTM 650-04 TM	Bus call button module	Titanium metallic
BTM 650-04 WH	Bus call button module	High gloss white

Discontinued articles, parts for replacement and upgrading

Article designation	Article description	Colour/Material
BTM 650-1 GM	Bus call button module	Graphite brown metallic
BTM 650-1 SM	Bus call button module	Silver metallic
BTM 650-1 TM	Bus call button module	Titanium metallic
BTM 650-1 W	Bus call button module	White
BTM 650-2 GM	Bus call button module	Graphite brown metallic
BTM 650-2 SM	Bus call button module	Silver metallic
BTM 650-2 TM	Bus call button module	Titanium metallic
BTM 650-2 W	Bus call button module	White
BTM 650-3 GM	Bus call button module	Graphite brown metallic
BTM 650-3 SM	Bus call button module	Silver metallic
BTM 650-3 TM	Bus call button module	Titanium metallic
BTM 650-3 W	Bus call button module	White
BTM 650-4 GM	Bus call button module	Graphite brown metallic
BTM 650-4 SM	Bus call button module	Silver metallic
BTM 650-4 TM	Bus call button module	Titanium metallic
BTM 650-4 W	Bus call button module	White
BTS 850-02 EC/S	Standard bus telephone	Chrome/black
BTS 850-02 EC/W	Standard bus telephone	Chrome/white
BTS 850-02 EG/S	Standard bus telephone	Gold/black
BTS 850-02 EG/W	Standard bus telephone	Gold/white
BTSV 850-03 EC/S	Standard bus telephone with colour monitor	Chrome/black
BTSV 850-03 EC/W	Standard bus telephone with colour monitor	Chrome/white
BTSV 850-03 EG/S	Standard bus telephone with colour monitor	Gold/black
BTSV 850-03 EG/W	Standard bus telephone with colour monitor	Gold/white
BVA 650 AP-0	Surface-mount bus video interfacing module	Grey
BVA 650 UP-0	Flush-mount bus video interfacing module	White
BVE 650-01 S	Bus video receiver	Black
BVE 650-01 SM	Bus video receiver	Silver metallic
BVE 650-01 W	Bus video receiver	White
BVPC 850-0 EC/S	Bus video panel	Chrome/black
BVPC 850-0 EC/W	Bus video panel	Chrome/white
BVS 650-01	Bus video transmitter	Grey
BVSM 650-0 SM	Bus video transmission module	Silver metallic
BVSM 650-0 W	Bus video transmission module	White
CC 602-0	Concierge controller	Black
CCE 602-0	Concierge controller extension	Black
CLK 740-0	Multi system clock Multi	Others
CM 611-0 AG	System-free camera 80 for Siedle Vario	Anthracite grey
CM 611-0 DG	System-free camera 80 for Siedle Vario	Micaceous dark grey
CM 611-0 SM	System-free camera 80 for Siedle Vario	Silver metallic

Article designation	Article description	Colour/Material
CM 611-0 W	System-free camera 80 for Siedle Vario	White
CM 613-01 AG	System-free camera 130 for Siedle Vario	Anthracite grey
CM 613-01 DG	System-free camera 130 for Siedle Vario	Micaceous dark grey
CM 613-01 SM	System-free camera 130 for Siedle Vario	Silver metallic
CM 613-01 W	System-free camera 130 for Siedle Vario	White
CM 613-01 BG	System-free camera 130 for Siedle Vario	Micaceous amber
CM 613-01 SH	System-free camera 130 for Siedle Vario	High gloss black
CM 613-01 WH	System-free camera 130 for Siedle Vario	High gloss white
CM 618-01 AG	System-free camera 180 for Siedle Vario	Anthracite grey
CM 618-01 DG	System-free camera 180 for Siedle Vario	Micaceous dark grey
CM 618-01 SM	System-free camera 180 for Siedle Vario	Silver metallic
CM 618-01 W	System-free camera 180 for Siedle Vario	White
CM 618-01 BG	System-free camera 180 for Siedle Vario	Micaceous amber
CM 618-01 SH	System-free camera 180 for Siedle Vario	High gloss black
CM 618-01 WH	System-free camera 180 for Siedle Vario	High gloss white
CMC 612-03 BG	System-free camera 80 for Siedle Vario	Micaceous amber
CMC 612-03 SH	System-free camera 80 for Siedle Vario	High gloss black
CMC 612-03 WH	System-free camera 80 for Siedle Vario	High gloss white
COM 611-02 BG	Code lock module	Micaceous amber
COM 611-02 GM	Code lock module	Graphite brown metallic
COM 611-02 SH	Code lock module	High gloss black
COM 611-02 TM	Code lock module	Titanium metallic
COM 611-02 WH	Code lock module	High gloss white
DCA 740-01	DoorCom Analog	Black
DCA/IT 740-0 Set	DoorCom ISDN Set	Others
ELM 611-02 AG	Electronic-key reading module	Anthracite grey
ELM 611-02 DG	Electronic-key reading module	Micaceous dark grey
ELM 611-02 SM	Electronic-key reading module	Silver metallic
ELM 611-02 W	Electronic-key reading module	White
ES 501-0	Electronic key	Black
ETC 640-01	Storey door release controller	Black
F CL BD2V130 01 B-0	Function unit pass-through letterbox video Siedle Classic	Brushed stainless steel
F CL BF3V130 01 B-0	Function unit letterbox front removal video Siedle Classic	Brushed stainless steel
F CL V130 01 B-0	Function unit video door station Siedle Classic	Brushed stainless steel

Article designation	Article description	Colour/Material
F CL V130 02 B-0	Function unit video door station Siedle Classic	Brushed stainless steel
F CL V130 03 B-0	Function unit video door station Siedle Classic	Brushed stainless steel
F CL V130 04 B-0	Function unit video door station Siedle Classic	Brushed stainless steel
F CL V130 COM 01 B-0	Function unit video door station Siedle Classic	Brushed stainless steel
F CL V130 ELM 01 B-0	Function unit video door station Siedle Classic	Brushed stainless steel
F CL V130 FPM 01 B-0	Function unit video door station Siedle Classic	Brushed stainless steel
FPM 611-02 BG	Fingerprint module	Micaceous amber
FPM 611-02 GM	Fingerprint module	Graphite brown metallic
FPM 611-02 SH	Fingerprint module	High gloss black
FPM 611-02 TM	Fingerprint module	Titanium metallic
FPM 611-02 WH	Fingerprint module	High gloss white
GA 612-1/1-0 BG	Surface-mount housing	Micaceous amber
GA 612-1/1-0 SH	Surface-mount housing	High gloss black
GA 612-1/1-0 WH	Surface-mount housing	High gloss white
GA 612-2/1-0 BG	Surface-mount housing	Micaceous amber
GA 612-2/1-0 SH	Surface-mount housing	High gloss black
GA 612-2/1-0 WH	Surface-mount housing	High gloss white
GA 612-2/2-0 BG	Surface-mount housing	Micaceous amber
GA 612-2/2-0 SH	Surface-mount housing	High gloss black
GA 612-2/2-0 WH	Surface-mount housing	High gloss white
GA 612-3/1-0 BG	Surface-mount housing	Micaceous amber
GA 612-3/1-0 SH	Surface-mount housing	High gloss black
GA 612-3/1-0 WH	Surface-mount housing	High gloss white
GA 612-3/2-0 BG	Surface-mount housing	Micaceous amber
GA 612-3/2-0 SH	Surface-mount housing	High gloss black
GA 612-3/2-0 WH	Surface-mount housing	High gloss white
GA 612-3/3-0 BG	Surface-mount housing	Micaceous amber
GA 612-3/3-0 SH	Surface-mount housing	High gloss black
GA 612-3/3-0 WH	Surface-mount housing	High gloss white
GA 612-4/1-0 BG	Surface-mount housing	Micaceous amber
GA 612-4/1-0 SH	Surface-mount housing	High gloss black
GA 612-4/1-0 WH	Surface-mount housing	High gloss white
GA 612-4/2-0 BG	Surface-mount housing	Micaceous amber
GA 612-4/2-0 SH	Surface-mount housing	High gloss black
GA 612-4/2-0 WH	Surface-mount housing	High gloss white
GA 612-4/3-0 BG	Surface-mount housing	Micaceous amber
GA 612-4/3-0 SH	Surface-mount housing	High gloss black
GA 612-4/3-0 WH	Surface-mount housing	High gloss white
HT 840-0 W	Multi telephone	White
HTA 811-0 EG/S	Analogue in-house telephone	Gold/black
HTA 811-0 EG/W	Analogue in-house telephone	Gold/white
HTC 811-0 EC/S	Comfort in-house telephone	Chrome/black

Article designation	Article description	Colour/Material
HTC 811-0 EC/W	Comfort in-house telephone	Chrome/white
HTC 811-0 EG/S	Comfort in-house telephone	Gold/black
HTC 811-0 EG/W	Comfort in-house telephone	Gold/white
HTS 811-0 EC/S	Standard in-house telephone	Chrome/black
HTS 811-0 EC/W	Standard in-house telephone	Chrome/white
HTS 811-0 EG/S	Standard in-house telephone	Gold/black
HTS 811-0 EG/W	Standard in-house telephone	Gold/white
HTV 840-02 W	Multi telephone with colour monitor	White
HVC 640-0	Horizontal vertical controller	Black
IM 612-0 BG	Information module	Micaceous amber
IM 612-0 GM	Information module	Graphite brown metallic
IM 612-0 SH	Information module	High gloss black
IM 612-0 TM	Information module	Titanium metallic
IM 612-0 WH	Information module	High gloss white
ISM 611-12/1-0 BG	Info sign module	Micaceous amber
ISM 611-12/1-0 SH	Info sign module	High gloss black
ISM 611-12/1-0 WH	Info sign module	High gloss white
ISM 611-12/1-0 AG	Info sign module	Anthracite grey
ISM 611-12/1-0 DG	Info sign module	Micaceous dark grey
ISM 611-12/1-0 SM	Info sign module	Silver metallic
ISM 611-12/1-0 W	Info sign module	White
ISM 611-12/2-0 BG	Info sign module	Micaceous amber
ISM 611-12/2-0 SH	Info sign module	High gloss black
ISM 611-12/2-0 WH	Info sign module	High gloss white
ISM 611-12/2-0 AG	Info sign module	Anthracite grey
ISM 611-12/2-0 DG	Info sign module	Micaceous dark grey
ISM 611-12/2-0 SM	Info sign module	Silver metallic
ISM 611-12/2-0 W	Info sign module	White
ISM 611-12/3-0 BG	Info sign module	Micaceous amber
ISM 611-12/3-0 SH	Info sign module	High gloss black
ISM 611-12/3-0 WH	Info sign module	High gloss white
ISM 611-12/3-0 AG	Info sign module	Anthracite grey
ISM 611-12/3-0 DG	Info sign module	Micaceous dark grey
ISM 611-12/3-0 SM	Info sign module	Silver metallic
ISM 611-12/3-0 W	Info sign module	White
ISM 611-12/4-0 BG	Info sign module	Micaceous amber
ISM 611-12/4-0 SH	Info sign module	High gloss black
ISM 611-12/4-0 WH	Info sign module	High gloss white
ISM 611-12/4-0 AG	Info sign module	Anthracite grey
ISM 611-12/4-0 DG	Info sign module	Micaceous dark grey
ISM 611-12/4-0 SM	Info sign module	Silver metallic
ISM 611-12/4-0 W	Info sign module	White
ISM 611-2/1-0 BG	Info sign module	Micaceous amber
ISM 611-2/1-0 SH	Info sign module	High gloss black
ISM 611-2/1-0 WH	Info sign module	High gloss white
ISM 611-2/2-0 BG	Info sign module	Micaceous amber
ISM 611-2/2-0 SH	Info sign module	High gloss black
ISM 611-2/2-0 WH	Info sign module	High gloss white

Discontinued articles, parts for replacement and upgrading

Article designation	Article description	Colour/Material
ISM 611-3/1-0 BG	Info sign module	Micaceous amber
ISM 611-3/1-0 SH	Info sign module	High gloss black
ISM 611-3/1-0 WH	Info sign module	High gloss white
ISM 611-3/2-0 BG	Info sign module	Micaceous amber
ISM 611-3/2-0 SH	Info sign module	High gloss black
ISM 611-3/2-0 WH	Info sign module	High gloss white
ISM 611-3/3-0 BG	Info sign module	Micaceous amber
ISM 611-3/3-0 SH	Info sign module	High gloss black
ISM 611-3/3-0 WH	Info sign module	High gloss white
ISM 611-4/1-0 BG	Info sign module	Micaceous amber
ISM 611-4/1-0 SH	Info sign module	High gloss black
ISM 611-4/1-0 WH	Info sign module	High gloss white
ISM 611-4/2-0 BG	Info sign module	Micaceous amber
ISM 611-4/2-0 SH	Info sign module	High gloss black
ISM 611-4/2-0 WH	Info sign module	High gloss white
ISM 611-4/3-0 BG	Info sign module	Micaceous amber
ISM 611-4/3-0 SH	Info sign module	High gloss black
ISM 611-4/3-0 WH	Info sign module	High gloss white
ISM 611-4/4-0 BG	Info sign module	Micaceous amber
ISM 611-4/4-0 SH	Info sign module	High gloss black
ISM 611-4/4-0 WH	Info sign module	High gloss white
ISM 611-6/1-0 BG	Info sign module	Micaceous amber
ISM 611-6/1-0 SH	Info sign module	High gloss black
ISM 611-6/1-0 WH	Info sign module	High gloss white
ISM 611-6/2-0 BG	Info sign module	Micaceous amber
ISM 611-6/2-0 SH	Info sign module	High gloss black
ISM 611-6/2-0 WH	Info sign module	High gloss white
ISM 611-6/3-0 BG	Info sign module	Micaceous amber
ISM 611-6/3-0 SH	Info sign module	High gloss black
ISM 611-6/3-0 WH	Info sign module	High gloss white
ISM 611-6/3-0 AG	Info sign module	Anthracite grey
ISM 611-6/3-0 DG	Info sign module	Micaceous dark grey
ISM 611-6/3-0 SM	Info sign module	Silver metallic
ISM 611-6/3-0 W	Info sign module	White
ISM 611-6/4-0 BG	Info sign module	Micaceous amber
ISM 611-6/4-0 SH	Info sign module	High gloss black
ISM 611-6/4-0 WH	Info sign module	High gloss white
ISM 611-6/4-0 AG	Info sign module	Anthracite grey
ISM 611-6/4-0 DG	Info sign module	Micaceous dark grey
ISM 611-6/4-0 SM	Info sign module	Silver metallic
ISM 611-6/4-0 W	Info sign module	White
ISM 611-8/1-0 BG	Info sign module	Micaceous amber
ISM 611-8/1-0 SH	Info sign module	High gloss black
ISM 611-8/1-0 WH	Info sign module	High gloss white
ISM 611-8/2-0 BG	Info sign module	Micaceous amber
ISM 611-8/2-0 SH	Info sign module	High gloss black
ISM 611-8/2-0 WH	Info sign module	High gloss white

Article designation	Article description	Colour/Material
ISM 611-8/3-0 BG	Info sign module	Micaceous amber
ISM 611-8/3-0 SH	Info sign module	High gloss black
ISM 611-8/3-0 WH	Info sign module	High gloss white
ISM 611-8/3-0 AG	Info sign module	Anthracite grey
ISM 611-8/3-0 DG	Info sign module	Micaceous dark grey
ISM 611-8/3-0 SM	Info sign module	Silver metallic
ISM 611-8/3-0 W	Info sign module	White
ISM 611-8/4-0 AG	Info sign module	Anthracite grey
ISM 611-8/4-0 DG	Info sign module	Micaceous dark grey
ISM 611-8/4-0 SM	Info sign module	Silver metallic
ISM 611-8/4-0 W	Info sign module	White
ISM 611-8/4-0 BG	Info sign module	Micaceous amber
ISM 611-8/4-0 SH	Info sign module	High gloss black
ISM 611-8/4-0 WH	Info sign module	High gloss white
ISM 611-9/1-0 AG	Info sign module	Anthracite grey
ISM 611-9/1-0 DG	Info sign module	Micaceous dark grey
ISM 611-9/1-0 SM	Info sign module	Silver metallic
ISM 611-9/1-0 W	Info sign module	White
ISM 611-9/1-0 BG	Info sign module	Micaceous amber
ISM 611-9/1-0 SH	Info sign module	High gloss black
ISM 611-9/1-0 WH	Info sign module	High gloss white
ISM 611-9/2-0 BG	Info sign module	Micaceous amber
ISM 611-9/2-0 SH	Info sign module	High gloss black
ISM 611-9/2-0 WH	Info sign module	High gloss white
ISM 611-9/2-0 AG	Info sign module	Anthracite grey
ISM 611-9/2-0 DG	Info sign module	Micaceous dark grey
ISM 611-9/2-0 SM	Info sign module	Silver metallic
ISM 611-9/2-0 W	Info sign module	White
ISM 611-9/3-0 BG	Info sign module	Micaceous amber
ISM 611-9/3-0 SH	Info sign module	High gloss black
ISM 611-9/3-0 WH	Info sign module	High gloss white
ISM 611-9/3-0 AG	Info sign module	Anthracite grey
ISM 611-9/3-0 DG	Info sign module	Micaceous dark grey
ISM 611-9/3-0 SM	Info sign module	Silver metallic
ISM 611-9/3-0 W	Info sign module	White
ISM 611-9/4-0 AG	Info sign module	Anthracite grey
ISM 611-9/4-0 DG	Info sign module	Micaceous dark grey
ISM 611-9/4-0 SM	Info sign module	Silver metallic
ISM 611-9/4-0 W	Info sign module	White
ISM 611-9/4-0 BG	Info sign module	Micaceous amber
ISM 611-9/4-0 SH	Info sign module	High gloss black
ISM 611-9/4-0 WH	Info sign module	High gloss white
KLC 640-0	Card reading controller	Black
KR 611-1/1-0 BG	Combination frame	Micaceous amber
KR 611-1/1-0 SH	Combination frame	High gloss black
KR 611-1/1-0 WH	Combination frame	High gloss white
KR 611-2/1-0 BG	Combination frame	Micaceous amber
KR 611-2/1-0 SH	Combination frame	High gloss black
KR 611-2/1-0 WH	Combination frame	High gloss white

Article designation	Article description	Colour/Material
KR 611-2/2-0 BG	Combination frame	Micaceous amber
KR 611-2/2-0 SH	Combination frame	High gloss black
KR 611-2/2-0 WH	Combination frame	High gloss white
KR 611-3/1-0 BG	Combination frame	Micaceous amber
KR 611-3/1-0 SH	Combination frame	High gloss black
KR 611-3/1-0 WH	Combination frame	High gloss white
KR 611-3/2-0 BG	Combination frame	Micaceous amber
KR 611-3/2-0 SH	Combination frame	High gloss black
KR 611-3/2-0 WH	Combination frame	High gloss white
KR 611-3/3-0 BG	Combination frame	Micaceous amber
KR 611-3/3-0 SH	Combination frame	High gloss black
KR 611-3/3-0 WH	Combination frame	High gloss white
KR 611-4/1-0 BG	Combination frame	Micaceous amber
KR 611-4/1-0 SH	Combination frame	High gloss black
KR 611-4/1-0 WH	Combination frame	High gloss white
KR 611-4/2-0 BG	Combination frame	Micaceous amber
KR 611-4/2-0 SH	Combination frame	High gloss black
KR 611-4/2-0 WH	Combination frame	High gloss white
KR 611-4/3-0 BG	Combination frame	Micaceous amber
KR 611-4/3-0 SH	Combination frame	High gloss black
KR 611-4/3-0 WH	Combination frame	High gloss white
KR 611-4/4-0 BG	Combination frame	Micaceous amber
KR 611-4/4-0 SH	Combination frame	High gloss black
KR 611-4/4-0 WH	Combination frame	High gloss white
KR 611-5/1-0 BG	Combination frame	Micaceous amber
KR 611-5/1-0 SH	Combination frame	High gloss black
KR 611-5/1-0 WH	Combination frame	High gloss white
KR 611-5/3-0 BG	Combination frame	Micaceous amber
KR 611-5/3-0 SH	Combination frame	High gloss black
KR 611-5/3-0 WH	Combination frame	High gloss white
KR 611-5/4-0 BG	Combination frame	Micaceous amber
KR 611-5/4-0 SH	Combination frame	High gloss black
KR 611-5/4-0 WH	Combination frame	High gloss white
KR 613-2 BG	Combination frame	Micaceous amber
KR 613-2 SH	Combination frame	High gloss black
KR 613-2 WH	Combination frame	High gloss white
KR 613-3 BG	Combination frame	Micaceous amber
KR 613-3 SH	Combination frame	High gloss black
KR 613-3 WH	Combination frame	High gloss white
KR 613-4 BG	Combination frame	Micaceous amber
KR 613-4 SH	Combination frame	High gloss black
KR 613-4 WH	Combination frame	High gloss white
KR 614-1/1 BG	Combination frame	Micaceous amber
KR 614-1/1 SH	Combination frame	High gloss black
KR 614-1/1 WH	Combination frame	High gloss white
KS 613-1/1 AG	Communication pedestal	Anthracite grey
KS 613-1/1 DG	Communication pedestal	Micaceous dark grey

Article designation	Article description	Colour/Material
KS 613-1/1 SM	Communication pedestal	Silver metallic
KS 613-1/1 W	Communication pedestal	White
KS 613-2/1 AG	Communication pedestal	Anthracite grey
KS 613-2/1 DG	Communication pedestal	Micaceous dark grey
KS 613-2/1 SM	Communication pedestal	Silver metallic
KS 613-2/1 W	Communication pedestal	White
KS 613-3/1 AG	Communication pedestal	Anthracite grey
KS 613-3/1 DG	Communication pedestal	Micaceous dark grey
KS 613-3/1 SM	Communication pedestal	Silver metallic
KS 613-3/1 W	Communication pedestal	White
KS 613-4/1 AG	Communication pedestal	Anthracite grey
KS 613-4/1 DG	Communication pedestal	Micaceous dark grey
KS 613-4/1 SM	Communication pedestal	Silver metallic
KS 613-4/1 W	Communication pedestal	White
KSA 613-1/0/2-0 AG	Surface-mount communication display	Anthracite grey
KSA 613-1/0/2-0 DG	Surface-mount communication display	Micaceous dark grey
KSA 613-1/0/2-0 SM	Surface-mount communication display	Silver metallic
KSA 613-1/0/2-0 W	Surface-mount communication display	White
KSA 616-1/1/3-0 AG	Surface-mount communication display	Anthracite grey
KSA 616-1/1/3-0 DG	Surface-mount communication display	Micaceous dark grey
KSA 616-1/1/3-0 SM	Surface-mount communication display	Silver metallic
KSA 616-1/1/3-0 W	Surface-mount communication display	White
KSA 619-2/1/4-0 AG	Surface-mount communication display	Anthracite grey
KSA 619-2/1/4-0 DG	Surface-mount communication display	Micaceous dark grey
KSA 619-2/1/4-0 SM	Surface-mount communication display	Silver metallic
KSA 619-2/1/4-0 W	Surface-mount communication display	White
KSF 616-7 AG	Free-standing communication pedestal	Anthracite grey
KSF 616-7 DG	Free-standing communication pedestal	Micaceous dark grey
KSF 616-7 SM	Free-standing communication pedestal	Silver metallic
KSF 616-7 W	Free-standing communication pedestal	White
KSF 616-8 AG	Free-standing communication pedestal	Anthracite grey
KSF 616-8 DG	Free-standing communication pedestal	Micaceous dark grey
KSF 616-8 SM	Free-standing communication pedestal	Silver metallic
KSF 616-8 W	Free-standing communication pedestal	White
KVM 640-03	Camera supply module	Others
LC 640-0	Lift controller	Black
LEDF 600-12/1-0 AG	LED surface area light	Anthracite grey
LEDF 600-12/1-0 DG	LED surface area light	Micaceous dark grey

Discontinued articles, parts for replacement and upgrading

Article designation	Article description	Colour/Material
LEDF 600-12/1-0 SM	LED surface area light	Silver metallic
LEDF 600-12/1-0 W	LED surface area light	White
LEDF 600-12/2-0 AG	LED surface area light	Anthracite grey
LEDF 600-12/2-0 DG	LED surface area light	Micaceous dark grey
LEDF 600-12/2-0 SM	LED surface area light	Silver metallic
LEDF 600-12/2-0 W	LED surface area light	White
LEDF 600-12/3-0 AG	LED surface area light	Anthracite grey
LEDF 600-12/3-0 DG	LED surface area light	Micaceous dark grey
LEDF 600-12/3-0 SM	LED surface area light	Silver metallic
LEDF 600-12/3-0 W	LED surface area light	White
LEDF 600-12/4-0 AG	LED surface area light	Anthracite grey
LEDF 600-12/4-0 DG	LED surface area light	Micaceous dark grey
LEDF 600-12/4-0 SM	LED surface area light	Silver metallic
LEDF 600-12/4-0 W	LED surface area light	White
LEDF 600-6/3-0 AG	LED surface area light	Anthracite grey
LEDF 600-6/3-0 DG	LED surface area light	Micaceous dark grey
LEDF 600-6/3-0 SM	LED surface area light	Silver metallic
LEDF 600-6/3-0 W	LED surface area light	White
LEDF 600-6/4-0 AG	LED surface area light	Anthracite grey
LEDF 600-6/4-0 DG	LED surface area light	Micaceous dark grey
LEDF 600-6/4-0 SM	LED surface area light	Silver metallic
LEDF 600-6/4-0 W	LED surface area light	White
LEDF 600-8/3-0 AG	LED surface area light	Anthracite grey
LEDF 600-8/3-0 DG	LED surface area light	Micaceous dark grey
LEDF 600-8/3-0 SM	LED surface area light	Silver metallic
LEDF 600-8/3-0 W	LED surface area light	White
LEDF 600-8/4-0 AG	LED surface area light	Anthracite grey
LEDF 600-8/4-0 DG	LED surface area light	Micaceous dark grey
LEDF 600-8/4-0 SM	LED surface area light	Silver metallic
LEDF 600-8/4-0 W	LED surface area light	White
LEDF 600-9/1-0 AG	LED surface area light	Anthracite grey
LEDF 600-9/1-0 DG	LED surface area light	Micaceous dark grey
LEDF 600-9/1-0 SM	LED surface area light	Silver metallic
LEDF 600-9/1-0 W	LED surface area light	White
LEDF 600-9/2-0 AG	LED surface area light	Anthracite grey
LEDF 600-9/2-0 DG	LED surface area light	Micaceous dark grey
LEDF 600-9/2-0 SM	LED surface area light	Silver metallic
LEDF 600-9/2-0 W	LED surface area light	White
LEDF 600-9/3-0 AG	LED surface area light	Anthracite grey
LEDF 600-9/3-0 DG	LED surface area light	Micaceous dark grey
LEDF 600-9/3-0 SM	LED surface area light	Silver metallic
LEDF 600-9/3-0 W	LED surface area light	White
LEDF 600-9/4-0 AG	LED surface area light	Anthracite grey
LEDF 600-9/4-0 DG	LED surface area light	Micaceous dark grey
LEDF 600-9/4-0 SM	LED surface area light	Silver metallic
LEDF 600-9/4-0 W	LED surface area light	White
LEDS 600-0 BG	LED spot	Micaceous amber
LEDS 600-0 SH	LED spot	High gloss black
LEDS 600-0 WH	LED spot	High gloss white
LNG/LS 600-01	Light line rectifier for pedestals	Black

Article designation	Article description	Colour/Material
MFM 640-0 S	Multifunction module	Black
MFM 640-0 SM	Multifunction module	Silver metallic
MFM 640-0 W	Multifunction module	White
MR 611-1/1-0 BG	Mounting frame	Micaceous amber
MR 611-1/1-0 GM	Mounting frame	Graphite brown metallic
MR 611-1/1-0 SH	Mounting frame	High gloss black
MR 611-1/1-0 TM	Mounting frame	Titanium metallic
MR 611-1/1-0 WH	Mounting frame	High gloss white
NB 915-0	Mains storage battery set CE	Grey
NG 600-0	Line rectifier	Black
NG 608-0	Line rectifier	Black
NG 640-0	Line rectifier	Black
PAC 740-0	Public address controller	Black
PVG 402-0	P.O. amplifier unit	Black
PVG 602-01	P.O. amplifier unit	Black
RC 602-0	Call controller	Black
RCC 602-0	Call controller card	White
RCE 602-0	Call controller extension	Black
SCE 640-0	Switching controller extension	Black
SCO 740-0	System controller	Others
SDM 600-0 AG	Socket module	Anthracite grey
SDM 600-0 DG	Socket module	Micaceous dark grey
SDM 600-0 SM	Socket module	Silver metallic
SDM 600-0 W	Socket module	White
SDM 600-0 BG	Socket module	Micaceous amber
SDM 600-0 SH	Socket module	High gloss black
SDM 600-0 WH	Socket module	High gloss white
SH 640-01 S	Service hand set	Black
SM 611-01 BG	Lock module	Micaceous amber
SM 611-01 GM	Lock module	Graphite brown metallic
SM 611-01 SH	Lock module	High gloss black
SM 611-01 TM	Lock module	Titanium metallic
SM 611-01 WH	Lock module	High gloss white
STS 711-2	Replacement door station SET 711-...	Others
SVG 641-0	Speech channel supply unit	Others
TLC 640-02	Door loudspeaker controller	Black
TLE 640-0	Custom-fit door loudspeaker	Black
TLM 611-02 BG	Door loudspeaker module 6+n	Micaceous amber
TLM 611-02 GM	Door loudspeaker module 6+n	Graphite brown metallic

Article designation	Article description	Colour/Material
TLM 611-02 SH	Door loudspeaker module 6+n	High gloss black
TLM 611-02 TM	Door loudspeaker module 6+n	Titanium metallic
TLM 611-02 WH	Door loudspeaker module 6+n	High gloss white
TLM 612-02 BG	Door loudspeaker module	Micaceous amber
TLM 612-02 GM	Door loudspeaker module	Graphite brown metallic
TLM 612-02 SH	Door loudspeaker module	High gloss black
TLM 612-02 TM	Door loudspeaker module	Titanium metallic
TLM 612-02 WH	Door loudspeaker module	High gloss white
TLM 645-02 BG	Door loudspeaker module Multi	Micaceous amber
TLM 645-02 DG	Door loudspeaker module Multi	Micaceous dark grey
TLM 645-02 GM	Door loudspeaker module Multi	Graphite brown metallic
TLM 645-02 SH	Door loudspeaker module Multi	High gloss black
TLM 645-02 SM	Door loudspeaker module Multi	Silver metallic
TLM 645-02 TM	Door loudspeaker module Multi	Titanium metallic
TLM 645-02 W	Door loudspeaker module Multi	White
TLM 645-02 WH	Door loudspeaker module Multi	High gloss white
TLM/TK 511-0 B	Door loudspeaker module telecommunication	Brown
TLM/TK 511-0 T	Door loudspeaker module telecommunication	Titanium metallic
TLM/TK 511-0 W	Door loudspeaker module telecommunication	White
TLM/TK 611-02 BG	Door loudspeaker module telecommunication	Micaceous amber
TLM/TK 611-02 GM	Door loudspeaker module telecommunication	Graphite brown metallic
TLM/TK 611-02 SH	Door loudspeaker module telecommunication	High gloss black
TLM/TK 611-02 TM	Door loudspeaker module telecommunication	Titanium metallic
TLM/TK 611-02 WH	Door loudspeaker module telecommunication	High gloss white
TM 511-01 B	Call button module	Brown
TM 511-01 T	Call button module	Titanium metallic
TM 511-01 W	Call button module	White
TM 511-02 B	Call button module	Brown
TM 511-02 T	Call button module	Titanium metallic
TM 511-02 W	Call button module	White
TM 511-03 B	Call button module	Brown
TM 511-03 T	Call button module	Titanium metallic
TM 511-03 W	Call button module	White
TM 511-04 B	Call button module	Brown
TM 511-04 T	Call button module	Titanium metallic
TM 511-04 W	Call button module	White
TM 611-01 GM	Call button module	Graphite brown metallic
TM 611-01 SM	Call button module	Silver metallic
TM 611-01 TM	Call button module	Titanium metallic
TM 611-01 W	Call button module	White
TM 611-02 GM	Call button module	Graphite brown metallic
TM 611-02 SM	Call button module	Silver metallic
TM 611-02 TM	Call button module	Titanium metallic
TM 611-02 W	Call button module	White

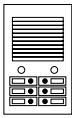
Article designation	Article description	Colour/Material
TM 611-03 GM	Call button module	Graphite brown metallic
TM 611-03 SM	Call button module	Silver metallic
TM 611-03 TM	Call button module	Titanium metallic
TM 611-03 W	Call button module	White
TM 611-04 GM	Call button module	Graphite brown metallic
TM 611-04 SM	Call button module	Silver metallic
TM 611-04 TM	Call button module	Titanium metallic
TM 611-04 W	Call button module	White
TM 612-1 BG	Call button module	Micaceous amber
TM 612-1 GM	Call button module	Graphite brown metallic
TM 612-1 SH	Call button module	High gloss black
TM 612-1 TM	Call button module	Titanium metallic
TM 612-1 WH	Call button module	High gloss white
TM 612-2 BG	Call button module	Micaceous amber
TM 612-2 GM	Call button module	Graphite brown metallic
TM 612-2 SH	Call button module	High gloss black
TM 612-2 TM	Call button module	Titanium metallic
TM 612-2 WH	Call button module	High gloss white
TM 612-3 BG	Call button module	Micaceous amber
TM 612-3 GM	Call button module	Graphite brown metallic
TM 612-3 SH	Call button module	High gloss black
TM 612-3 TM	Call button module	Titanium metallic
TM 612-3 WH	Call button module	High gloss white
TM 612-4 BG	Call button module	Micaceous amber
TM 612-4 GM	Call button module	Graphite brown metallic
TM 612-4 SH	Call button module	High gloss black
TM 612-4 TM	Call button module	Titanium metallic
TM 612-4 WH	Call button module	High gloss white
TME 640-0	Call button module extension	Others
TME 645-01 BG	Call button module extension	Micaceous amber
TME 645-01 DG	Call button module extension	Micaceous dark grey
TME 645-01 GM	Call button module extension	Graphite brown metallic
TME 645-01 SH	Call button module extension	High gloss black
TME 645-01 SM	Call button module extension	Silver metallic
TME 645-01 W	Call button module extension	White
TME 645-01 WH	Call button module extension	High gloss white
TÖ 613-0 R	Door release	Others
TÖ 614-0 L	Door release	Others
TÖ 616-0 L	Door release	Others
TÖ 616-0 R	Door release	Others
TÖ 619-0 A	Door release	Others
UG 503-0	Switching unit	Black
VAR 602-0	Video interfacing relay	Others


Discontinued articles, parts for replacement and upgrading

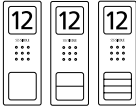
Article designation	Article description	Colour/Material
VBV 650-0	Video bus distributor	Others
VCO 740-0	Video controller	Others
VE 511-0	Video receiver	Others
VE 512-0	Video receiver	Others
VKA 511-4	Video distributor	Others
VKS 644-0	Video crossbar module	Silver
VMO 511-2	Video distributor	Others
VMO 602-4	Video distributor	Others
VS 611-0	Video 2-wire transmitter	Others
VSM 960-01 S	Multifunction module	Black
VSM 960-01 SM	Multifunction module	Silver metallic
VSM 960-01 W	Multifunction module	White
VSU 640-0	Video switchover unit	Others
VV 511-0	Video distributor	Others
ZA 740-0	Amplifier accessory	Others
ZAM 600-01 BG	Status display module	Micaceous amber
ZAM 600-01 SH	Status display module	High gloss black
ZAM 600-01 WH	Status display module	High gloss white
ZAM 670-0 BG	Status display module	Micaceous amber
ZAM 670-0 SH	Status display module	High gloss black
ZAM 670-0 WH	Status display module	High gloss white
ZAP 3-0	Accessory terminal cover	Black
ZAP 5-0	Accessory terminal cover	Black
ZAP 6-0	Accessory terminal cover	Black
ZAP 9-0	Accessory terminal cover	Black
ZAP 10-0	Accessory terminal cover	Black
ZAR 740-0	Interfacing relay accessory	Others
ZCLK 740-0	Radio reception DCF77	Grey
ZD 512-4	Accessory diode	Others
ZE 601-0	Accessory energy-saving switch	Others
ZE/KSFB 611-0	Ground element accessory	Others
ZERT 711-0	Storey call accessory	Others
ZHB 611-0	Hollow wall fastening accessory	Others
ZHSB 650-0	Top hat rail fixture accessory (5 pcs.)	Yellow
ZIM 512-0 B	Transparent cover	Smoke coloured
ZIM 512-0 W	Transparent cover	Clear glass
ZLA 711-01	Accessory lamp	Others

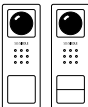
Article designation	Article description	Colour/Material
ZM 611-0	Accessory audio privacy device	Others
ZMC 740-0	Microphone connection	Others
ZMO 740-0	Ribbon cable accessory	Others
ZSCH 611-0 S	Switch accessory	Black
ZSCH 611-0 W	Switch accessory	White
ZSCH 711-01 S	Switch accessory	Black
ZSCH 711-01 W	Switch accessory	White
ZSI 640-0	Fuse Accessory	Others
ZT 644-0/16 S	Table-top accessory	Black
ZT 644-0/16 SM	Table-top accessory	Silver metallic
ZT 644-0/16 W	Table-top accessory	White
ZT 711-0/4 S	Table-top accessory	Black
ZT 711-0/4 SM	Table-top accessory	Silver metallic
ZT 711-0/4 W	Table-top accessory	White
ZT 711-01/16 S	Table-top accessory	Black
ZT 711-01/16 SM	Table-top accessory	Silver metallic
ZT 711-01/16 W	Table-top accessory	White
ZT 840-0 W	Table-top accessory	White
ZTA 711-01 S	Button accessory	Black
ZTA 711-01 W	Button accessory	White
ZTMO 711-0 S	Table-top accessory	Black
ZTMO 711-0 W	Table-top accessory	White
ZVD/KS 611-0	Accessory junction box for communication column	Others
ZVD/KSF 611-0	Accessory junction box	Grey
ZVM/KSA 611-0	Connecting sleeve accessory	Grey
ZWA 640-0	Western socket accessory	Grey

Spare parts

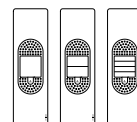
Designation	Colour/ Material	Item no.
		
TL 111-... TL 121-...		
BK 411-0 Leaf spring and hinge for pass-through flap	Others	210007479-00
TL 111/121/411-... loudspeaker L2	Others	200001803-00
TL 111/121/411-... Microphone	Others	210008312-00
TL 111/411-... Dual-hole screwdriver Portavox	Others	210007473-00

		
CTB 711-... STS 711-...		
CTB/STS 711-... Loudspeaker	Others	200019226-00
CTB/STS 711-... Microphone	Others	200019224-00
STS 711-... Info cassette	Clear glass	200021570-00
STS 711-... Circuit board and housing base	Others	200021571-01
STS 711-1/2 Complete key pad	Clear glass	200021569-00

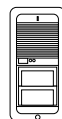
		
SET CA 812-...		
CA 812-..., CA/CAU 850-... Microphone	Others	200029868-00
CA 812-..., CA/CAU 850-... Insert for info sign	White	200029872-00
CA 812-..., CA/CAU/CV/VCVU 850-..., STA/STV 850-... Loudspeaker	Others	200029867-00
CA 812-1 BS Housing superstructure	Brilliant silver	200029859-00
CA 812-1, CA 850-1 E Upper part of the housing	Brushed stainless steel	210008751-00
CA 812-1, CA 850-1 W Upper part of the housing	White	210005108-00
CA 812-1, CA/CAU 850-1, CV/VCVU 850-1-... Nameplate superstructure	Clear glass	200029864-00
CA 812-1, CA/CAU 850-1, CV/VCVU 850-1-... Nameplate insert	White	200029869-00
CA 812-2 BS Housing superstructure	Brilliant silver	200029860-00
CA 812-2, CA 850-2 E Upper part of the housing	Brushed stainless steel	210008752-00
CA 812-2, CA 850-2 W Upper part of the housing	White	210005110-00
CA 812-2, CA/CAU 850-2, CV/VCVU 850-2-... Nameplate superstructure	Clear glass	200029865-00
CA 812-2, CA/CAU 850-2, CV/VCVU 850-2-... Nameplate insert	White	200029870-00
CA 812-4 BS Housing superstructure	Brilliant silver	200029861-00
CA 812-4, CA 850-4 E Upper part of the housing	Brushed stainless steel	210008753-00
CA 812-4, CA 850-4 W Upper part of the housing	White	210005111-00
CA 812-4, CA/CAU 850-4 Nameplate superstructure	Clear glass	200029866-00
CA 812-4, CA/CAU 850-4 Nameplate insert	White	200029871-00

		
SET CV 850-...		
CA 812-..., CA/CAU/CV/VCVU 850-..., STA/STV 850-... Loudspeaker	Others	200029867-00
CA 812-1, CA/CAU 850-1, CV/VCVU 850-1-... Nameplate superstructure	Clear glass	200029864-00
CA 812-1, CA/CAU 850-1, CV/VCVU 850-1-... Nameplate insert	White	200029869-00
CA 812-2, CA/CAU 850-2, CV/VCVU 850-2-... Nameplate superstructure	Clear glass	200029865-00
CA 812-2, CA/CAU 850-2, CV/VCVU 850-2-... Nameplate insert	White	200029870-00
CV 850-1 BS Housing superstructure	Brilliant silver	200029862-00

Designation	Colour/ Material	Item no.
CV 850-1-02, BCV 850-1-01 E Upper part of the housing	Brushed stainless steel	210008756-00
CV 850-1-02, BCV 850-1-01 W Upper part of the housing	White	210005113-01
CV 850-2 BS Housing superstructure	Brilliant silver	200029863-00
CV 850-2-02, BCV 850-2-01 E Upper part of the housing	Brushed stainless steel	210008754-00
CV 850-2-02, BCV 850-2-01 W Upper part of the housing	White	210005115-01

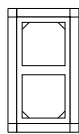


Designation	Colour/ Material	Item no.
STA 850-... STV 850-... SB 800-... SBA 850-... SBV 850-... SLB 800-...		
CA 812-..., CA/CAU/CV/VCVU 850-..., STA/STV 850-... Loudspeaker	Others	200029867-00
CSA/STA 850-1 A Housing superstructure	Aluminium	200029821-00
CSA/STA 850-2 A Housing superstructure	Aluminium	200029822-00
CSA/STA 850-4 A Housing superstructure	Aluminium	200029824-00
CSV/STV 850-1 A Housing superstructure	Aluminium	200029831-00
CSV/STV 850-2 A Housing superstructure	Aluminium	200029832-00
CSx/STx 850-... Microphone	Others	200029820-00
CSx/STx 850-1 Nameplate superstructure	Clear glass	200029816-00
CSx/STx 850-1 Nameplate insert	White	200029813-00
CSx/STx 850-2 Nameplate superstructure	Clear glass	200029817-00
CSx/STx 850-2 Nameplate insert	White	200029814-00
CSx/STx 850-4 Nameplate superstructure	Clear glass	200029818-00
CSx/STx 850-4 Nameplate insert	White	200029815-00
SB 800-...,SBA/SBV 850-... Spare lock	Others	200029541-00
SLB 800-0 Movement sensor	Others	210008316-00
SLB 800-0 LED lamp unit	Others	210008317-00



Vario 511-...		
BE 513-0 Restoring spring letter flap	Others	200015484-00
BKM 514-01 B/T Spare lock	Black	200013063-00
BKM 514-01 W Spare lock	White	200013061-00
BKV/BKS 513-... Spare lock	Others	210007524-00
IM 511-0 Key for information module	Brushed stainless steel	210007018-00
IM 511-0, TM 511-1...-4 Lampholder for tubular lamp	Yellow	200010182-00
IM 511-01, TM 511-01...-04 Lampholder for tubular lamp	White	200007029-00
IM/TM 511-... Tubular lamp 18 V/3 W	Others	210007471-00
MR 51x/524-... Key for mounting frame	Brushed stainless steel	210007019-00
TLE/TLM 511-.../522-... Loudspeaker Vario 5198	Others	200008558-00
TLM 511-0 Microphone	Others	200011475-00
TLM 511-01 Microphone	Others	200011800-00
TLM 511-01 B Louvre for door loudspeaker module	Brown	200012095-00
TLM 511-01 W Louvre for door loudspeaker module	White	200012096-01
TLM 512-... Circuit board	Others	200015517-00
TLM 521-01 Circuit board	Others	200029100-00
TM 511-01 B Complete nameplate	Smoke coloured	200007035-00
TM 511-01 W Complete nameplate	Clear glass	200007031-00
TM 511-02 B Complete nameplate	Smoke coloured	200007036-00
TM 511-02 W Complete nameplate	Clear glass	200007032-00
TM 511-03 B Complete nameplate	Smoke coloured	200007037-00
TM 511-03 W Complete nameplate	Clear glass	200007033-00
TM 511-04 B Complete nameplate	Smoke coloured	200007038-00
TM 511-04 W Complete nameplate	Clear glass	200007034-00

Designation	Colour/ Material	Item no.
-------------	---------------------	----------



Vario 611-... Combination frame and Mounting frame

GA 612-... Surface-mount housing mounting kit	Others	200029981-00
MR 611-... Mounting set flush-mount housing fixture	Others	210005104-00
MR 611-... Key for mounting frame	Others	210007513-00
Vario 611 Sealing frame modules	Grey	210007484-00



Vario 611-... Communication pedestal

KS/KSF/KSFB/SR 61x-... AG Screw cover	Anthracite grey	210005312-00
KS/KSF/KSFB/SR 61x-... DG Screw cover	Micaceous dark grey	210005313-00
KS/KSF/KSFB/SR 61x-... SM Screw cover	Silver metallic	210005311-00
KS/KSF/KSFB/SR 61x-... W Screw cover	White	210005310-00



Vario 611-... Door loudspeaker module

ATLM 67x-... Terminal block	Black	200029835-00
BTLM 650-... Terminal block	Black	200029523-00
BTLM 651-... Terminal block	Black	210007906-00
TLM 611-... Terminal block	Black	210007289-00
TLM 611/612/645-.../01, BTLM 650-.../03 Loudspeaker	Others	200029074-00
TLM 611/612/645-.../01, BTLM 650-.../03 Microphone	Others	200029078-00
TLM 612-... Terminal block	Black	210007290-00
TLM 61x-01, BTLM 650-... AG Light button with light symbol	Anthracite grey	210007065-00
TLM 61x-01, BTLM 650-... BG Light button with light symbol	Micaceous amber	200029979-00
TLM 61x-01, BTLM 650-... DG Light button with light symbol	Micaceous dark grey	200029980-00
TLM 61x-01, BTLM 650-... GM Light button with light symbol	Graphite brown metallic	200029097-00
TLM 61x-01, BTLM 650-... SH Light button with light symbol	High gloss black	200029978-00
TLM 61x-01, BTLM 650-... SM Light button with light symbol	Silver metallic	200029098-00
TLM 61x-01, BTLM 650-... TM Light button with light symbol	Titanium metallic	200029099-00
TLM 61x-01, BTLM 650-... W Light button with light symbol	White	200029096-00
TLM 61x-01, BTLM 650-... WH Light button with light symbol	High gloss white	200029977-00



Vario 611-... Camera module 80

ACM 670-..., CMx 61x-..., BCMx 650-... AG Screen frame	Anthracite grey	210007074-00
ACM 670-..., CMx 61x-..., BCMx 650-... BG Screen frame	Micaceous amber	210007301-00
ACM 670-..., CMx 61x-..., BCMx 650-... DG Screen frame	Micaceous dark grey	210007302-00
ACM 670-..., CMx 61x-..., BCMx 650-... GM Screen frame	Graphite brown metallic	210007303-00

Designation	Colour/ Material	Item no.
-------------	---------------------	----------

ACM 670-..., CMx 61x-..., BCMx 650-... SH Screen frame	High gloss black	210007304-00
ACM 670-..., CMx 61x-..., BCMx 650-... SM Screen frame	Silver metallic	210007305-00
ACM 670-..., CMx 61x-..., BCMx 650-... TM Screen frame	Titanium metallic	210007306-00
ACM 670-..., CMx 61x-..., BCMx 650-... W Screen frame	White	210007308-00
ACM 670-..., CMx 61x-..., BCMx 650-... WH Screen frame	High gloss white	210007307-00
ACM 67x-... Terminal block	Black	200029836-00
BCM 65x-..., BCMx 650-... Terminal block	Black	200029921-00
BCMx 650-..., CMC 612-... Glass cover	Clear glass	200036408-00
CMx 611-... Glass cover	Clear glass	200021730-00
CMx 612-..., CM 611-... Terminal block	Black	200029922-00



Vario 611-... Camera module 130/180

ACM 671/673/678-..., BCM 65x-..., CM 61x-... Glass cover	Clear glass	200048697-00
ACM 671/673/678-..., BCM 65x-..., CM 61x-... AG Screen frame	Anthracite grey	210005930-00
ACM 671/673/678-..., BCM 65x-..., CM 61x-... BG Screen frame	Micaceous amber	200048700-00
ACM 671/673/678-..., BCM 65x-..., CM 61x-... DG Screen frame	Micaceous dark grey	200048701-00
ACM 671/673/678-..., BCM 65x-..., CM 61x-... SH Screen frame	High gloss black	200048702-00
ACM 671/673/678-..., BCM 65x-..., CM 61x-... SM Screen frame	Silver metallic	200048699-00
ACM 671/673/678-..., BCM 65x-..., CM 61x-... W Screen frame	White	200048698-00
ACM 671/673/678-..., BCM 65x-..., CM 61x-... WH Screen frame	High gloss white	200048703-00
ACM 67x-... Terminal block	Black	200029836-00
BCM 65x-..., BCMx 650-... Terminal block	Black	200029921-00
CMx 612-..., CM 611-... Terminal block	Black	200029922-00



Vario 611-... TM 612-1, BTM 650-01 Call button module LED illuminated with 1 call button

BTM 650-1...-4 Adapter for bus call button module	Black	200029524-00
BTM 650-1...-4, TM 611-1...-4 Lampholder for tubular lamp	White	200047959-00
IM/TM 611-..., BTM 650-1...-4 Tubular lamp 18 V/3 W	Others	210007472-00
TM 611-01/02, BTM 650-1/2 GM Call button with bell symbol	Graphite brown metallic	200029089-00
TM 611-01/02, BTM 650-1/2 SM Call button with bell symbol	Silver metallic	200029090-00
TM 611-01/02, BTM 650-1/2 TM Call button with bell symbol	Titanium metallic	200029091-00
TM 611-01/02, BTM 650-1/2 W Call button with bell symbol	White	200029088-00
TM 611-1 Terminal block	Black	210007291-00
TM 611-1, BTM 650-1 GM Complete nameplate	Graphite brown metallic	200029035-00
TM 611-1, BTM 650-1 SM Complete nameplate	Silver metallic	200029037-00
TM 611-1, BTM 650-1 TM Complete nameplate	Titanium metallic	200029036-00
TM 611-1, BTM 650-1 W Complete nameplate	White	200029038-00
TM 612-1, BTM 650-01 GM Call button without bell symbol	Graphite brown metallic	200034796-00
TM 612-1, BTM 650-01 SM Call button without bell symbol	Silver metallic	200034797-00

Spare parts

Designation	Colour/ Material	Item no.
TM 612-1, BTM 650-01 TM Call button without bell symbol	Titanium metallic	200034795-00
TM 612-1, BTM 650-01 W Call button without bell symbol	White	200034794-00
TM 61x-..., BTM 650-... Nameplate insert	White	210007478-00
TM 611-01, BTM 650-1		
Call button module with Soffittenlampe illuminated, 1 call button		
BTM 650-1...-4 Adapter for bus call button module	Black	200029524-00
BTM 650-1...-4, TM 611-1...-4 Lampholder for tubular lamp	White	200047959-00
IM/TM 611-..., BTM 650-1...-4 Tubular lamp 18 V/3 W	Others	210007472-00
TM 611-01/02, BTM 650-1/2 GM Call button with bell symbol	Graphite brown metallic	200029089-00
TM 611-01/02, BTM 650-1/2 SM Call button with bell symbol	Silver metallic	200029090-00
TM 611-01/02, BTM 650-1/2 TM Call button with bell symbol	Titanium metallic	200029091-00
TM 611-01/02, BTM 650-1/2 W Call button with bell symbol	White	200029088-00
TM 611-1 Terminal block	Black	210007291-00
TM 611-1, BTM 650-1 GM Complete nameplate	Graphite brown metallic	200029035-00
TM 611-1, BTM 650-1 SM Complete nameplate	Silver metallic	200029037-00
TM 611-1, BTM 650-1 TM Complete nameplate	Titanium metallic	200029036-00
TM 611-1, BTM 650-1 W Complete nameplate	White	200029038-00
TM 612-1, BTM 650-01 GM Call button without bell symbol	Graphite brown metallic	200034796-00
TM 612-1, BTM 650-01 SM Call button without bell symbol	Silver metallic	200034797-00
TM 612-1, BTM 650-01 TM Call button without bell symbol	Titanium metallic	200034795-00
TM 612-1, BTM 650-01 W Call button without bell symbol	White	200034794-00
TM 61x-..., BTM 650-... Nameplate insert	White	210007478-00



Vario 611-...

TM 612-2, BTM 650-02

Call button module LED illuminated with 2 call buttons

TM 612-1/-2, BTM 650-01/-02 AG Call button with bell symbol	Anthracite grey	210007066-00
TM 612-1/-2, BTM 650-01/-02 BG Call button with bell symbol	Micaceous amber	200029937-00
TM 612-1/-2, BTM 650-01/-02 DG Call button with bell symbol	Micaceous dark grey	200029939-00
TM 612-1/-2, BTM 650-01/-02 GM Call button with bell symbol	Graphite brown metallic	200029799-00
TM 612-1/-2, BTM 650-01/-02 SH Call button with bell symbol	High gloss black	200029935-00
TM 612-1/-2, BTM 650-01/-02 SM Call button with bell symbol	Silver metallic	200029800-00
TM 612-1/-2, BTM 650-01/-02 TM Call button with bell symbol	Titanium metallic	200029801-00
TM 612-1/-2, BTM 650-01/-02 W Call button with bell symbol	White	200029802-00
TM 612-1/-2, BTM 650-01/-02 WH Call button with bell symbol	High gloss white	200029933-00
TM 612-2 Terminal block	Black	210007297-00
TM 612-2, BTM 650-02 AG Complete nameplate	Anthracite grey	210007069-00
TM 612-2, BTM 650-02 BG Complete nameplate	Micaceous amber	200029954-00
TM 612-2, BTM 650-02 DG Complete nameplate	Micaceous dark grey	200029955-00
TM 612-2, BTM 650-02 GM Complete nameplate	Graphite brown metallic	200029787-00
TM 612-2, BTM 650-02 SH Complete nameplate	High gloss black	200029953-00

Designation	Colour/ Material	Item no.
TM 612-2, BTM 650-02 SM Complete nameplate	Silver metallic	200029788-00
TM 612-2, BTM 650-02 TM Complete nameplate	Titanium metallic	200029789-00
TM 612-2, BTM 650-02 W Complete nameplate	White	200029790-00
TM 612-2, BTM 650-02 WH Complete nameplate	High gloss white	200029952-00
TM 61x-..., BTM 650-... Nameplate insert	White	210007478-00

TM 611-02, BTM 650-2

Call button module with Soffittenlampe illuminated, 2 call buttons

BTM 650-1...-4 Adapter for bus call button module	Black	200029524-00
BTM 650-1...-4, TM 611-1...-4 Lampholder for tubular lamp	White	200047959-00
IM/TM 611-..., BTM 650-1...-4 Tubular lamp 18 V/3 W	Others	210007472-00
TM 611-01/02, BTM 650-1/2 GM Call button with bell symbol	Graphite brown metallic	200029089-00
TM 611-01/02, BTM 650-1/2 SM Call button with bell symbol	Silver metallic	200029090-00
TM 611-01/02, BTM 650-1/2 TM Call button with bell symbol	Titanium metallic	200029091-00
TM 611-01/02, BTM 650-1/2 W Call button with bell symbol	White	200029088-00
TM 611-2 Terminal block	Black	210007292-00
TM 611-2, BTM 650-2 GM Complete nameplate	Graphite brown metallic	200029039-00
TM 611-2, BTM 650-2 SM Complete nameplate	Silver metallic	200029041-00
TM 611-2, BTM 650-2 TM Complete nameplate	Titanium metallic	200029040-00
TM 611-2, BTM 650-2 W Complete nameplate	White	200029042-00
TM 61x-..., BTM 650-... Nameplate insert	White	210007478-00



Vario 611-...

TM 612-3, BTM 650-03

Call button module LED illuminated with 3 call buttons

TM 612-3 Terminal block	Black	210007298-00
TM 612-3, BTM 650-03 AG Call button with bell symbol	Anthracite grey	210007071-00
TM 612-3, BTM 650-03 AG Complete nameplate	Anthracite grey	210007070-00
TM 612-3, BTM 650-03 BG Complete nameplate	Micaceous amber	200029958-00
TM 612-3, BTM 650-03 DG Complete nameplate	Micaceous dark grey	200029959-00
TM 612-3, BTM 650-03 GM Complete nameplate	Graphite brown metallic	200029791-00
TM 612-3, BTM 650-03 SH Complete nameplate	High gloss black	200029957-00
TM 612-3, BTM 650-03 SM Complete nameplate	Silver metallic	200029792-00
TM 612-3, BTM 650-03 TM Complete nameplate	Titanium metallic	200029793-00
TM 612-3, BTM 650-03 W Complete nameplate	White	200029794-00
TM 612-3, BTM 650-03 WH Complete nameplate	High gloss white	200029956-00
TM 612-3/BTM 650-03 BG Call button with bell symbol	Micaceous amber	200029942-00
TM 612-3/BTM 650-03 DG Call button with bell symbol	Micaceous dark grey	200029943-00
TM 612-3/BTM 650-03 GM Call button with bell symbol	Graphite brown metallic	200029803-00
TM 612-3/BTM 650-03 SH Call button with bell symbol	High gloss black	200029941-00
TM 612-3/BTM 650-03 SM Call button with bell symbol	Silver metallic	200029804-00
TM 612-3/BTM 650-03 TM Call button with bell symbol	Titanium metallic	200029805-00

Designation	Colour/ Material	Item no.
TM 612-3/BTM 650-03 W Call button with bell symbol	White	200029806-00
TM 61x-..., BTM 650-... Nameplate insert	White	210007478-00
TM 611-03, BTM 650-3 Call button module with Soffittenlampe illuminated, 3 call buttons		
BTM 650-1...-4 Adapter for bus call button module	Black	200029524-00
BTM 650-1...-4, TM 611-1...-4 Lampholder for tubular lamp	White	200047959-00
IM/TM 611-..., BTM 650-1...-4 Tubular lamp 18 V/3 W	Others	210007472-00
TM 611-03, BTM 650-3 GM Call button with bell symbol	Graphite brown metallic	200029093-00
TM 611-03, BTM 650-3 SM Call button with bell symbol	Silver metallic	200029094-00
TM 611-03, BTM 650-3 TM Call button with bell symbol	Titanium metallic	200029095-00
TM 611-03, BTM 650-3 W Call button with bell symbol	White	200029092-00
TM 611-3 Terminal block	Black	210007293-00
TM 611-3, BTM 650-3 GM Complete nameplate	Graphite brown metallic	200029043-00
TM 611-3, BTM 650-3 SM Complete nameplate	Silver metallic	200029045-00
TM 611-3, BTM 650-3 TM Complete nameplate	Titanium metallic	200029044-00
TM 611-3, BTM 650-3 W Complete nameplate	White	200029046-00
TM 61x-..., BTM 650-... Nameplate insert	White	210007478-00

**Vario 611-...****TM 612-4, BTM 650-04****Call button module LED illuminated with 4 call buttons**

TM 612-4 Terminal block	Black	210007299-00
TM 612-4, BTM 650-04 AG Call button with bell symbol	Anthracite grey	210007073-00
TM 612-4, BTM 650-04 AG Complete nameplate	Anthracite grey	210007072-00
TM 612-4, BTM 650-04 BG Call button with bell symbol	Micaceous amber	200029946-00
TM 612-4, BTM 650-04 BG Complete nameplate	Micaceous amber	200029962-00
TM 612-4, BTM 650-04 DG Call button with bell symbol	Micaceous dark grey	200029947-00
TM 612-4, BTM 650-04 DG Complete nameplate	Micaceous dark grey	200029963-00
TM 612-4, BTM 650-04 GM Call button with bell symbol	Graphite brown metallic	200029807-00
TM 612-4, BTM 650-04 GM Complete nameplate	Graphite brown metallic	200029795-00
TM 612-4, BTM 650-04 SH Call button with bell symbol	High gloss black	200029945-00
TM 612-4, BTM 650-04 SH Complete nameplate	High gloss black	200029961-00
TM 612-4, BTM 650-04 SM Call button with bell symbol	Silver metallic	200029808-00
TM 612-4, BTM 650-04 SM Complete nameplate	Silver metallic	200029796-00
TM 612-4, BTM 650-04 TM Call button with bell symbol	Titanium metallic	200029809-00
TM 612-4, BTM 650-04 TM Complete nameplate	Titanium metallic	200029797-00
TM 612-4, BTM 650-04 W Call button with bell symbol	White	200029810-00
TM 612-4, BTM 650-04 W Complete nameplate	White	200029798-00
TM 612-4, BTM 650-04 WH Call button with bell symbol	High gloss white	200029944-00
TM 612-4, BTM 650-04 WH Complete nameplate	High gloss white	200029960-00
TM 61x-..., BTM 650-... Nameplate insert	White	210007478-00

Designation	Colour/ Material	Item no.
TM 611-04, BTM 650-4 Call button module with Soffittenlampe illuminated, 4 call buttons		
BTM 650-1...-4 Adapter for bus call button module	Black	200029524-00
BTM 650-1...-4, TM 611-1...-4 Lampholder for tubular lamp	White	200047959-00
IM/TM 611-..., BTM 650-1...-4 Tubular lamp 18 V/3 W	Others	210007472-00
TM 611-04, BTM 650-4 GM Call button with bell symbol	Graphite brown metallic	200029085-00
TM 611-04, BTM 650-4 SM Call button with bell symbol	Silver metallic	200029086-00
TM 611-04, BTM 650-4 TM Call button with bell symbol	Titanium metallic	200029087-00
TM 611-04, BTM 650-4 W Call button with bell symbol	White	200029084-00
TM 611-4 Terminal block	Black	210007294-00
TM 611-4, BTM 650-4 GM Complete nameplate	Graphite brown metallic	200029047-00
TM 611-4, BTM 650-4 SM Complete nameplate	Silver metallic	200029049-00
TM 611-4, BTM 650-4 TM Complete nameplate	Titanium metallic	200029048-00
TM 611-4, BTM 650-4 W Complete nameplate	White	200029050-00
TM 61x-..., BTM 650-... Nameplate insert	White	210007478-00

**Vario 611-...****Information module LED illuminated**

IM 612-... Terminal block	Black	200029923-00
IM 612-... AG Info cassette	Anthracite grey	210007075-00
IM 612-... BG Info cassette	Micaceous amber	200029974-00
IM 612-... DG Info cassette	Micaceous dark grey	200029975-00
IM 612-... GM Info cassette	Graphite brown metallic	200029828-00
IM 612-... SH Info cassette	High gloss black	200029973-00
IM 612-... SM Info cassette	Silver metallic	200029826-00
IM 612-... TM Info cassette	Titanium metallic	200029827-00
IM 612-... W Info cassette	White	200029825-00

Information module illuminated with Tubular lamp

IM 611-... Terminal block	Black	210007295-00
IM 611-0 Lampholder for tubular lamp	White	200029034-00
IM 611-0 GM Info cassette	Graphite brown metallic	200029056-00
IM 611-0 SM Info cassette	Silver metallic	200029058-00
IM 611-0 TM Info cassette	Titanium metallic	200029057-00
IM 611-0 W Info cassette	White	200029059-00
IM/TM 611-..., BTM 650-1...-4 Tubular lamp 18 V/3 W	Others	210007472-00

**Vario 611-...****Movement sensor module**

BMM 611-... Replacement panel for range reduction	Translucent	200031327-00
BMM 611-... Terminal block	Black	200029976-00
BMM 611-... AG Screen frame	Anthracite grey	210006016-00
BMM 611-... DG Screen frame	Micaceous dark grey	210006017-00
BMM 611-... SM Screen frame	Silver metallic	210006023-00
BMM 611-... W Screen frame	White	210006024-00

Spare parts

Designation	Colour/ Material	Item no.
-------------	---------------------	----------



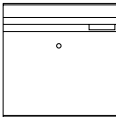
**Vario 611-...
Light module and LED module**

LEDM 600-... Terminal block	Black	200029930-00
LEDS 600-... Terminal block	Black	210007572-00
LM 611-0 Halogen lamp 10 W	Others	200022959-00
LM 611-x/1-0 fluorescent tube, warm tone 6 W/830 G5	Others	200022952-00



**Vario 611-...
COM 611-... ELM 611-... FPM 611-...**

COM 611-... Terminal block	Black	210007300-00
ELM 600/611-... Terminal block	Black	200029924-00
ELM 611-... AG Screen frame	Anthracite grey	210006029-00
ELM 611-... DG Screen frame	Micaceous dark grey	210006028-00
ELM 611-... SM Screen frame	Silver metallic	210006027-00
ELM 611-... W Screen frame	White	210006025-00
FPM 611-... Terminal block	Black	200029928-00



**Vario 611-...
Siedle Vario letterboxes**

BE/BKM 611-... Nameplate letter flap	Clear glass	200019639-00
BKM/AFM 611-... Locking set	Black	200048052-00
BKV 611-3/1-0 W Removal door	White	200029513-00
BKV 611-3/2-0 W Removal door	White	200029514-00
BKV 611-3/3-0 W Removal door	White	200029515-00
BKV 611-... Spare lock	Others	200016957-00
BKV 611-... Viewing window for removal door	Clear glass	200019641-00
RGA/RGF 611-... Complete nameplate	Clear glass	200029521-00
RGA/RGF 611-... Spare lock	Others	200029520-00
RGA/RGF 611-3/1 SM Pass-through flap with removal door	Silver metallic	210006030-00
RGA/RGF 611-3/1 W Pass-through flap with removal door	White	210006031-00



TLE 051-...

TLE 051-..., TL 352-... Loudspeaker	Others	200009139-00
TLE 051-..., TLM 521-... Microphone	Others	200029839-00



TLE 061-0 BTLE 050-0/01-02/03

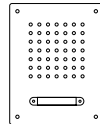
TLE 061-0 Microphone	Others	200017559-00
TLM 611/612/645-.../01, BTLM 650-.../03 Loudspeaker	Others	200029074-00

Designation	Colour/ Material	Item no.
-------------	---------------------	----------



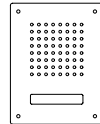
TLE 061-01 BTLE 050-04

BTLE 050-04, TLE 061-01 Loudspeaker	Others	200049177-00
BTLE 050-04, TLE 061-01 Microphone	Others	200049178-00



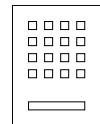
Siedle Classic CL...-01

CL 01 Siedle Classic Call button complete	Clear glass	200042811-00
CL 01 Siedle Classic Nameplate superstructure	Clear glass	200035326-00



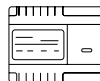
Siedle Classic CL...-02

CL 02 Siedle Classic Nameplate upper part call button	Clear glass	200029966-00
CL 02 Siedle Classic Spare lock	Others	210005077-00
CL 02 Siedle Classic Nameplate superstructure Letter flap	Clear glass	200029967-00
CL 02 Siedle Classic Complete button without circuit board	Others	200044537-00
CL 02-1 Siedle Classic Button circuit board	Others	200044533-00
CL 02-2 Siedle Classic Button circuit board	Others	200044534-00
CL 02-3 Siedle Classic Button circuit board	Others	200044535-00
CL 02-4 Siedle Classic Button circuit board	Others	200044536-00



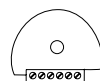
Siedle Steel

Siedle Steel Sealing strip for pass-through flap	Others	210006541-00
Siedle Steel Button housing with circuit board and frame	White	210009664-00
Siedle Steel Mounting key	Brushed stainless steel	210006015-00
Siedle Steel Spare lock	Others	210005076-00



Line rectifiers and control units

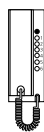
BNG 650-..., SNG/SNG 850-... Fuse holder	Others	210005105-00
BVM 650-... Coaxial connecting cable	Others	210008645-00
NG 402/602-... Fuse holder	Others	210005106-00
T 0,2 A/250 V fuse 5 x 20 mm	Others	210007481-00
T 0,63 A/250 V fuse 5 x 20 mm	Others	210007482-00
T 1,0 A fuse 5 x 20 mm	Others	210007483-00
ZATLC 670-0/110 Connecting cable ATLC 670-... to ANG 670-... 110 mm	Others	200087157-01



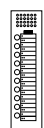
BVVU 650-0, BVVS 650-0, BAA 650-0

BVVU 650-... RC element	Others	200032352-00
-------------------------	--------	--------------

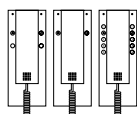
Designation	Colour/ Material	Item no.
-------------	---------------------	----------

**HT 611-... HT 631-... ZS 932-...**

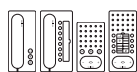
HT 611-... Transparent cover with insert	Clear glass	200005871-00
HT 611-01 Receiver capsule	Others	200005876-00
HT 611-01 Circuit board	Others	200005878-00
HT 611-01 S Housing base plate	Black	210008290-00
HT 611-01 S Housing superstructure	Black	200005867-00
HT 611-01 S No-tangle cord	Black	210007474-00
HT 611-01 S Receiver with no-tangle cord	Black	200005882-00
HT 611-01 S Receiver cradle	Black	210007475-00
HT 611-01 W Housing base plate	White	210008291-00
HT 611-01 W No-tangle cord	White	210007476-00
HT 611-01 W Housing superstructure	White	200005866-00
HT 611-01 W Receiver cradle	White	210007477-00
HT 611-01 W Receiver with no-tangle cord	White	200005881-00
ZER/ZGO 611-... Loudspeaker	Others	200013064-00

**MFM 611-... MFM 932-...**

MFM 611/640/932-... Transparent cover	Clear glass	200005870-00
---------------------------------------	-------------	--------------

**HTS 711-... HTC 711-... HTA 711-... BTS 750-... BTC 750-...**

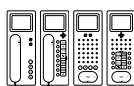
BHT 730-..., HTA 711-... S Housing complete	Black	200017556-00
BHT 730-..., HTA 711-... W Housing complete	White	200017555-00
BTC 750-..., HTC 711-... Insert for button functions	White	200015512-00
BTC 750-..., HTC 711-... S Housing complete	Black	200017554-00
BTC 750-..., HTC 711-... W Housing complete	White	200017553-00
BTC 750-02/03 Circuit board	Others	200032023-00
BTS 750-..., HTS 711-... S Housing complete	Black	200017552-00
BTS 750-..., HTS 711-... W Housing complete	White	200017551-00
HT 711/740/750-... S No-tangle cord	Black	200017785-00
HT 711/740/750-... S Receiver without no-tangle cord	Black	200015506-00
HT 711/740/750-... SM Receiver without no-tangle cord	Silver metallic	200030404-00
HT 711/740/750-... W No-tangle cord	White	200017786-00
HT 711/740/750-... W Receiver without no-tangle cord	White	200015505-00
HTA 711-... Loudspeaker	Others	200017557-00
HTA 711-01 Circuit board	Others	200014802-00
HTC 711-... Circuit board	Others	200015510-03
HTS 711-01 Circuit board	Others	200019450-00

**AIB 150-... BTS/BFS 850-... BTC/BFC 850-... HTA/HTS/HTC 811-... HT 840-...**

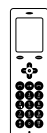
AIB 150-... Terminals	Blue	200049391-00
BFC 850-... Insert for button functions	White	200039964-00
BFC/BFCV 850-... Transparent cover	Clear glass	200039966-00
BFS/BFC 850-... Terminals	Blue	200029592-00
BTC 850-... Insert for button functions	White	200029575-00
BTC 850-..., HTC 811-..., HT 840-... W Housing complete	White	200029567-00
BTC/BTCV 850-..., HTC/HTCV 811-..., HT/HTV 840-... Transparent cover	Clear glass	200029578-00
BTS 850-..., HTA/HTS 811-... W Housing complete	White	200029583-00
BTS/BTC 850-... Terminals	Blue	200029590-00
BTS 850-02 Circuit board	Others	210009476-00

Designation	Colour/ Material	Item no.
-------------	---------------------	----------

HT 811/840/850/870-... S Receiver with no-tangle cord	Black	200029894-00
HT 811/840/850/870-... T Receiver with no-tangle cord	Translucent	200029574-00
HT 811/840/850/870-... W Receiver with no-tangle cord	White	200029573-00
HT 840-... Terminals	Red	200029593-00
HTA 811-... Terminals	Yellow	200029884-00
HTC 811-... Terminals	Grey	200029591-00
HTC 811-..., HT/HTV 840-... Insert for button functions	White	200029577-00
HTS 811-... Terminals	Grey	200029589-00

**VIB 150-... BTSV/BTCV 850-... BFSV/BFCV 850-... AHT/AHTV 870-... AHF/AHFV 870-... HTSV/HTCV 811-... HTV 840-...**

BFC/BFCV 850-... Transparent cover	Clear glass	200039966-00
BFCV 850-... Insert for button functions	White	200039965-00
BTCV 850-... Insert for button functions	White	200029576-00
BTSV/BTCV/BFSV/BFCV 850-... Terminals	Blue	200029597-00
BTSV/BTCV/BFSV/BFCV 850-... RC element	Others	200029965-00
In-Home bus: Video		
HT 811/840/850/870-... S Receiver with no-tangle cord	Black	200029894-00
HT 811/840/850/870-... T Receiver with no-tangle cord	Translucent	200029574-00
HT 811/840/850/870-... W Receiver with no-tangle cord	White	200029573-00
HTC 811-..., HT/HTV 840-... Insert for button functions	White	200029577-00
HTCV 811-... Terminals	Grey	200029596-00
HTSV 811-... Terminals	Grey	200029594-00
HTV 840-... Terminals	Red	200029598-00
VIB 150-... Terminals	Blue	210007267-00

**Siedle Scope**

S 851-0 Siedle Scope battery li-ion 3.7 V, 1000 mAh	Others	200044541-00
S/SZM 85x-... A/S EU Siedle Scope charging tray incl. power supply	Aluminium/black	200029908-00
S/SZM 85x-... E/S EU Siedle Scope charging tray incl. power supply	Stainless steel/black	200029907-00
S/SZM 85x-... EC/S EU Siedle Scope charging tray incl. power supply	Chrome/black	200029911-00
S/SZM 85x-... EG/S EU Siedle Scope charging tray incl. power supply	Gold/black	200029912-00
S/SZM 85x-... SH/S EU Siedle Scope charging tray incl. power supply	High gloss black/black	200029910-00
S/SZM 85x-... WH/S EU Siedle Scope charging tray incl. power supply	High gloss white/black	200029909-00
S/SZM 85x-..., SGM 650-... power supply 100-240 V AC, secondary 6 V DC, 1.15 A	Black	200029919-00

Article index / order designations

Type	Designation	Page
A 180-10	Siedle Axiom for wall mounting	18, 92
A 180-11	Siedle Axiom for wall mounting with receiver	18, 92
A 180-20	Siedle Axiom for table-top mounting	92
A 180-21	Siedle Axiom for table-top mounting with receiver	92
A 180-30	Siedle Axiom for furniture mounting	92
A 180-31	Siedle Axiom for furniture mounting with receiver	92
ACM 670-03	Access camera 80 for Siedle Vario	62
ACM 673-02	Access camera 130 for Siedle Vario	62
ACM 678-02	Access camera 180 for Siedle Vario	62
AFM 611-4/4-0	Storage compartment module	157, 175, 181, 187
AFS 870-0	Access standard handsfree telephone	64
AFSV 870-0	Access standard video handsfree telephone	64
AGW 670-01	Access gateway	69
AHT 870-0	Access in-house telephone	64
AHTV 870-0	Access video in-house telephone	64
AIB 150-01	Audio indoor station Siedle Basic	24, 100
AIVS 670-0	Access Interface analog-video standard	63
ANG 600-0	Access line rectifier	49, 105
APA 611-0	Adapter plate	271
APB 611-0	Adapter plate	271
APC 611-0	Adapter plate	271
APS 611-0	Adapter plate	279
AR 402-0	Interfacing relay	83
ASH 670-05 M	Access server hardware	69
ASH 670-05 S	Access server hardware	69
ATLC/NG 670-0	Access door loudspeaker controller with line rectifier	60
ATLCE 670-0	Access door loudspeaker controller extension	60
ATLE 670-0	Access custom-fit door loudspeaker incl. Bus call button matrix	60
ATLM 670-0	Access door loudspeaker module	60
ATLM 671-0	Access door loudspeaker module Plus	60
AVA 670-0	Access video decoupler	68
AVP 870-0	Access video panel	65
AZTV 870-0	Access table-top accessory	64
BAA 650-0	Bus audio decoupler	42
BAVU 652-0	Bus audio/video distributor asymmetrical top hat rail	42
BCM 653-02	Bus camera 130 for Siedle Vario	36
BCM 658-02	Bus camera 180 for Siedle Vario	36
BCMC 650-03	Bus camera 80 for Siedle Vario	36
BCV 850-1-01	Siedle Compact video door station	105, 111
BCV 850-2-01	Siedle Compact video door station	111
BCVU 850-1-0	Siedle Compact video door station flush mounting	105, 111
BCVU 850-2-0	Siedle Compact video door station flush mounting	111
BE 611-3/1-0	Letter flap	167, 277
BE 611-4/1-0	Letter flap	169
BEM 650-02	Bus input module	28, 43
BEM 651-0	Bus input module top hat rail	28, 43
BFC 850-0	Comfort handsfree bus telephone intercom	24
BFC 850-01	Comfort handsfree bus telephone intercom	24
BG/KSF 611-10 A-R	Free-standing communication pedestal	187
BG/SR 611-4/9-0	Free-standing letterbox with upright columns	181
BGA 611-4/10-0	Surface-mount letterbox module housing	157
BGA 611-4/4-0	Surface-mount letterbox module housing	157
BGA 611-4/5-0	Surface-mount letterbox module housing	157
BGA 611-4/6-0	Surface-mount letterbox module housing	157
BGA 611-4/9-0	Surface-mount letterbox module housing	157
BGU 611-4/4-0	Flush-mount letterbox housing	175
BIM 650-02	Bus interface module	26, 40
BKM 611-4/4-0	Letterbox module with pass-through flap	157, 175, 181, 187, 278
BKV 611-3/1-0	Pass-through letterbox for mounting in masonry	167
BKV 611-3/2-0	Pass-through letterbox for mounting in masonry	167
BKV 611-3/3-0	Pass-through letterbox for mounting in masonry	167
BKV 611-4/1-0	Pass-through letterbox for mounting in masonry	169
BKV 611-4/2-0	Pass-through letterbox for mounting in masonry	169

Type	Designation	Page
BKV 611-4/3-0	Pass-through letterbox for mounting in masonry	169
BM 611-0	Dummy module	124
BMM 611-0	Movement sensor module	126
BNG 650-0	Bus line rectifier	26
BNG 650-1 USA	Bus line rectifier	26
BNS 750-02	Bus secondary signal unit	25, 39
BRMA 050-01	Bus call button matrix	22, 34, 60
BSE 650-02	Bus switching unit	28, 43
BSE 651-0	Bus switching unit top hat rail	28, 43
BSM 650-02	Bus switching module	28, 43
BTC 850-02	Comfort bus telephone	24
BTCV 850-03	Comfort bus telephone with colour monitor	38
BTLE 051-04	Bus custom-fit door loudspeaker incl. Bus call button matrix	22, 34
BTLM 650-04	Bus door loudspeaker module	22, 34
BTLM 651-0	Bus door loudspeaker module Plus	22, 34
BTM 650-01	Bus call button module	23, 35, 61
BTM 650-02	Bus call button module	23, 35, 61
BTM 650-03	Bus call button module	23, 35, 61
BTM 650-04	Bus call button module	23, 35, 61
BTS 850-02	Standard bus telephone	24
BTSV 850-03	Standard bus telephone with colour monitor	38
BVD 650-0	Bus video demodulator	45
BVM 650-0	Bus video modulator	37
BVNG 650-0	Bus video line rectifier	40
BVNG 650-1 USA	Bus video line rectifier	40
BVPC 850-0	Bus video panel	38
BVVS 650-0	Symmetrical bus video distributor	42
BVVS 652-0	Bus video distributor symmetrical top hat rail	42
BVVU 650-0	Asymmetrical bus video distributor	42
BVVU 652-0	Bus video distributor asymmetrical top hat rail	42
CA 812-1	Siedle Compact audio door station	99
CA 812-2	Siedle Compact audio door station	99
CA 812-4	Siedle Compact audio door station	99
CA 850-1	Siedle Compact audio door station	100, 111
CA 850-2	Siedle Compact audio door station	100, 111
CA 850-4	Siedle Compact audio door station	100, 111
CAU 850-1-0	Siedle Compact audio door station flush mounting	111
CAU 850-2-0	Siedle Compact audio door station flush mounting	111
CAU 850-4-0	Siedle Compact audio door station flush mounting	111
CE 600-01	External colour CCD video camera for external mounting	37, 63
CE 950-01	External colour CCD video camera for external mounting	37, 63
CL 111-1 B-02	Siedle Classic door station audio	268
CL 111-1 N-02	Siedle Classic door station audio	268
CL 111-1 R-02	Siedle Classic door station audio	268
CL 111-2 B-02	Siedle Classic door station audio	268
CL 111-2 N-02	Siedle Classic door station audio	268
CL 111-2 R-02	Siedle Classic door station audio	268
CL 111-3 B-02	Siedle Classic door station audio	268
CL 111-3 N-02	Siedle Classic door station audio	268
CL 111-3 R-02	Siedle Classic door station audio	268
CL 111-4 B-02	Siedle Classic door station audio	268
CL 111-4 N-02	Siedle Classic door station audio	268
CL 111-4 R-02	Siedle Classic door station audio	268
CL 111-5 B-02	Siedle Classic door station audio	269
CL 111-5 N-02	Siedle Classic door station audio	269
CL 111-5 R-02	Siedle Classic door station audio	269
CL 111-6 B-02	Siedle Classic door station audio	269
CL 111-6 N-02	Siedle Classic door station audio	269
CL 111-6 R-02	Siedle Classic door station audio	269
CL 411 BD2A 01 B	Siedle Classic pass-through letterbox front audio	272
CL 411 BD2A 01 N	Siedle Classic pass-through letterbox front audio	272
CL 411 BD2A 01 R	Siedle Classic pass-through letterbox front audio	272
CL 411 BD2A 02 B	Siedle Classic pass-through letterbox front audio	272

Type	Designation	Page
CL 411 BD2A 02 N	Siedle Classic pass-through letterbox front audio	272
CL 411 BD2A 02 R	Siedle Classic pass-through letterbox front audio	272
CL 411 BD2A 03 B	Siedle Classic pass-through letterbox front audio	272
CL 411 BD2A 03 N	Siedle Classic pass-through letterbox front audio	272
CL 411 BD2A 03 R	Siedle Classic pass-through letterbox front audio	272
CM 613-02	System-free camera 130 for Siedle Vario	36
CM 618-02	System-free camera 180 for Siedle Vario	36
CMC 612-03	System-free camera 80 for Siedle Vario	36
COM 611-02	Code lock module	23, 35, 61, 291
CTÖ 602-0	Controller door release	83
CV 850-1-02	Siedle Compact video door station	101
DCA 612-0	DoorCom Analog	84
DCA 650-02	DoorCom Analog	29, 44
DCSF 600-0	DoorCom switching/remote control interface	29, 44, 84
DRM 612-01	Display call module	23, 35, 61
DSC 602-0	Anti-pilfer controller	37, 294
EC 602-03 DE	Entrance controller	292
EC 602-03 EN/DK	Entrance controller	292
EC 602-03 FR/IT/NL	Entrance controller	292
ECE 602-0	Entrance controller extension	292
EK 600-0/03	Electronic key	291
EK 600-0/10	Electronic key	291
EKC 600-0/03	Electronic key card	291
EKC 600-0/10	Electronic key card	291
ELM 600-0	Electronic-key reading module	291
ETC 602-0	Storey controller	83
F CL A 01 B-0	Function unit audio door station Siedle Classic	212-213, 215-217
F CL A 01 N-0	Function unit audio door station Siedle Classic	212
F CL A 02 B-0	Function unit audio door station Siedle Classic	212
F CL A 02 N-0	Function unit audio door station Siedle Classic	212
F CL A 03 B-0	Function unit audio door station Siedle Classic	212
F CL A 03 N-0	Function unit audio door station Siedle Classic	212
F CL A 04 B-0	Function unit audio door station Siedle Classic	212
F CL A 04 N-0	Function unit audio door station Siedle Classic	212
F CL A 05 B-0	Function unit audio door station Siedle Classic	212
F CL A 06 B-0	Function unit audio door station Siedle Classic	212
F CL A 08 B-0	Function unit audio door station Siedle Classic	212
F CL ACOM 01 B-0	Function unit audio door station Siedle Classic	214-215
F CL AELM 01 B-0	Function unit audio door station Siedle Classic	215
F CL AELM 01 B-01	Function unit audio door station Siedle Classic	214-215
F CL AFPM 01 B-0	Function unit audio door station Siedle Classic	214-215
F CL BD2 01	Function unit pass-through letterbox Siedle Classic	216
F CL BD2A 01 B-0	Function unit pass-through letterbox audio Siedle Classic	217
F CL BD2V130 01 B-01	Function unit pass-through letterbox video Siedle Classic	218
F CL BD3 01	Function unit pass-through letterbox Siedle Classic	216
F CL BD3A 01 B-0	Function unit pass-through letterbox audio Siedle Classic	217
F CL BF3 01	Function unit letterbox front removal Siedle Classic	220
F CL BF3A 01 B-0	Function unit letterbox front removal audio Siedle Classic	221
F CL BF3V130 01 B-01	Function unit letterbox front removal video Siedle Classic	222
F CL V130 01 B-01	Function unit video door station Siedle Classic	213

Type	Designation	Page
F CL V130 02 B-01	Function unit video door station Siedle Classic	213
F CL V130 03 B-01	Function unit video door station Siedle Classic	213
F CL V130 04 B-01	Function unit video door station Siedle Classic	213
F CL V130 COM 01 B-01	Function unit video door station Siedle Classic	215
F CL V130 ELM 01 B-01	Function unit video door station Siedle Classic	215
F CL V130 FPM 01 B-01	Function unit video door station Siedle Classic	215
FPM 611-02	Fingerprint module	291
FSM 740-02	Remote switching and control module	293
GA 612-1/1-0	Surface-mount housing	131
GA 612-2/1-0	Surface-mount housing	131
GA 612-2/2-0	Surface-mount housing	131
GA 612-3/1-0	Surface-mount housing	131
GA 612-3/2-0	Surface-mount housing	131
GA 612-3/3-0	Surface-mount housing	131
GA 612-4/1-0	Surface-mount housing	131
GA 612-4/2-0	Surface-mount housing	131
GA 612-4/3-0	Surface-mount housing	131
GA 612-5/1-0	Surface-mount housing	131
GC 612-0	Group controller	83
GU 611-1/1-0	Flush-mount housing	141
GU 611-2/1-0	Flush-mount housing	141
GU 611-3/1-0	Flush-mount housing	141, 168
GU 611-4/1-0	Flush-mount housing	141, 157, 170, 175, 182
GU CL 01-0	Flush-mount housing Siedle Classic	212-213, 215-217
GU CL 02-0	Flush-mount housing Siedle Classic	212
GU CL 03-0	Flush-mount housing Siedle Classic	212
GU CL 04-0	Flush-mount housing Siedle Classic	212
GU CL 05-0	Flush-mount housing Siedle Classic	212
GU CL 06-0	Flush-mount housing Siedle Classic	212-215
GU CL 07-0	Flush-mount housing Siedle Classic	213
GU CL 08-0	Flush-mount housing Siedle Classic	212-213
GU CL 09-0	Flush-mount housing Siedle Classic	213
GU CL 10-0	Flush-mount housing Siedle Classic	215
GU CL BD2 01	Pass-through letterbox for mounting in masonry Siedle Classic	216
GU CL BD2A 01 B-0	Pass-through letterbox for mounting in masonry Siedle Classic	217
GU CL BD2V130 01 B-0	Pass-through letterbox for mounting in masonry Siedle Classic	218
GU CL BD3 01	Pass-through letterbox for mounting in masonry Siedle Classic	216
GU CL BD3A 01 B-0	Pass-through letterbox for mounting in masonry Siedle Classic	217
GU CL BF3 01	Letterbox flush-mount housing Siedle Classic	220
GU CL BF3A 01 B-0	Letterbox flush-mount housing Siedle Classic	221
GU CL BF3V130 01 B-0	Letterbox flush-mount housing Siedle Classic	222
HTA 811-0	Analogue in-house telephone	281
HTC 811-0	Comfort in-house telephone	80
HTC 811-01	Comfort in-house telephone	80
HTS 811-0	Standard in-house telephone	80, 99
HTS 811-01	Standard in-house telephone	80, 99
IM 612-0	Information module	124
IQ HTA	Siedle IQ HTA	281
IQ HTS	Siedle IQ HTS	80
ISM 611-2/1-0	Info sign module	125
ISM 611-2/2-0	Info sign module	125
ISM 611-3/1-0	Info sign module	125
ISM 611-3/2-0	Info sign module	125
ISM 611-3/3-0	Info sign module	125
ISM 611-4/1-0	Info sign module	125
ISM 611-4/2-0	Info sign module	125
ISM 611-4/3-0	Info sign module	125
ISM 611-4/4-0	Info sign module	125
ISM 611-6/1-0	Info sign module	125
ISM 611-6/2-0	Info sign module	125
ISM 611-8/1-0	Info sign module	125
ISM 611-8/2-0	Info sign module	125
KR 611-1/1-0	Combination frame	142

Article index / order designations

Type	Designation	Page
KR 611-2/1-0	Combination frame	142
KR 611-2/2-0	Combination frame	142
KR 611-3/1-0	Combination frame	142, 168
KR 611-3/2-0	Combination frame	142, 168
KR 611-3/3-0	Combination frame	142, 168
KR 611-4/1-0	Combination frame	142, 170
KR 611-4/2-0	Combination frame	142, 170
KR 611-4/3-0	Combination frame	142, 168, 170
KR 611-4/4-0	Combination frame	170
KR 611-5/1-0	Combination frame	142
KR 611-5/4-0	Combination frame	175
KR 611-8/8-0	Combination frame	175
KR 611-9/4-0 A	Combination frame	175
KR 611-9/8-0 A	Combination frame	175
KR 613-2	Combination frame	277
KR 613-3	Combination frame	277
KR 613-4	Combination frame	277
KR 614-1/1	Combination frame	278
KS 613-1	Communication pedestal	150
KS 616-1/2	Communication pedestal	150
KSA 602-0	Surface-mount communication display	136, 270
KSA 603-0	Surface-mount communication display	136, 270
KSA 604-0	Surface-mount communication display	136, 270
KSA 605-0	Surface-mount communication display	136, 270
KSA 613-1/0/2-0	Surface-mount communication display	135
KSA 616-1/1/3-0	Surface-mount communication display	135
KSA 619-2/1/4-0	Surface-mount communication display	135
KSF 613-1	Free-standing communication pedestal	150
KSF 616-1/2	Free-standing communication pedestal	150
LEDF 600-3/1-0	LED surface area light	127
LEDF 600-3/2-0	LED surface area light	127
LEDF 600-3/3-0	LED surface area light	127
LEDF 600-4/1-0	LED surface area light	127
LEDF 600-4/2-0	LED surface area light	127
LEDF 600-4/3-0	LED surface area light	127
LEDF 600-4/4-0	LED surface area light	127
LEDF 600-6/1-0	LED surface area light	127
LEDF 600-6/2-0	LED surface area light	127
LEDF 600-8/1-0	LED surface area light	127
LEDF 600-8/2-0	LED surface area light	127
LEDM 600-0	LED light module	126
LEDS 600-0	LED spot	126
LNG 600-0	Power line rectifier	41, 68, 127, 153
LS 604-1	Light pedestal	153
LS 608-1	Light pedestal	153
LS 608-2	Light pedestal	153
MA/LEDF 600-0	Mounting adapter for LED surface light	157, 182, 187, 191, 197
MR 611-1/1-0	Mounting frame	132, 141
MR 611-2/1-0	Mounting frame	132, 141
MR 611-3/1-0	Mounting frame	132, 141, 161, 168, 191, 277
MR 611-4/1-0	Mounting frame	132, 141, 157, 170, 175, 182, 278
NG 402-03	Line rectifier	281
NG 602-01	Line rectifier	27, 41, 82
NS 511-01	Secondary signal unit	281
NS 711-01	Secondary signal unit	81
NSC 602-0	Secondary signal controller	81
OSB 0001	Orientation sign	266
OSB 0002	Orientation sign	266
OSB 0003	Orientation sign	266
OSB 0004	Orientation sign	266
OSB 0005 G	Orientation sign	267
OSM 0001	Mounting plate	267
OSP 0001	Orientation sign library	267
OSP 0002	Orientation sign restaurant/canteen	267
OSP 0003	Orientation sign cafeteria	267
OSP 0004	Orientation sign cloakroom	266
OSP 0005	Orientation sign conference	266
OSP 0006	Orientation sign arrow	266
OSP 0007	Orientation sign no smoking	266
OSP 0008	Orientation sign smoking	267

Type	Designation	Page
OSP 0009	Disabled orientation sign	267
OSP 0010	Orientation sign ladies	267
OSP 0011	Orientation sign men	267
OSP 0012	Orientation sign lavatory	266
OSP 0013	Orientation sign baby changing room	266
OSP 0014	Orientation sign ladies' shower	266
OSP 0015	Orientation sign men's shower	266
OSP 0016	Orientation sign shower	267
PB 611-3/1-0	Plaster trim	167
PB 611-3/2-0	Plaster trim	167
PB 611-3/3-0	Plaster trim	167
PB 611-3/4-0	Plaster trim	167, 169
PB 611-4/1-0	Plaster trim	169
PB 611-4/2-0	Plaster trim	169
PB 611-4/4-0	Plaster trim	169
PRI 602-0	Programming interface RS232	292
PRI 602-01 USB	Programming interface USB	26, 40, 292
RG/SR 611-2/1	Space-saving letterbox with removal from the front	191
RGA 611-10/2-0	Surface-mounted space-saving letterbox	161
RGA 611-2/1-0	Surface-mounted space-saving letterbox	161
RGA 611-2/2-0	Surface-mounted space-saving letterbox	161
RGA 611-3/1-0	Surface-mounted space-saving letterbox	161
RGA 611-4/0-0	Surface-mounted space-saving letterbox	161
RGA 611-4/1-0	Surface-mounted space-saving letterbox	161
RGA 611-6/2-0	Surface-mounted space-saving letterbox	161
RGA 611-8/2-0	Surface-mounted space-saving letterbox	161
SCE 640-0	Switching controller extension	293
SET CA 812-1	Audio-Set Siedle Compact	99
SET CA 812-2	Audio-Set Siedle Compact	99
SET CA 812-3	Audio-Set Siedle Compact	99
SET CA 812-4	Audio-Set Siedle Compact	99
SET CAB 850-1	Audio set Siedle Basic	100
SET CAB 850-2	Audio set Siedle Basic	100
SET CAB 850-3	Audio set Siedle Basic	100
SET CAB 850-4	Audio set Siedle Basic	100
SET CVB 850-1	Video set Siedle Basic	101
SET CVB 850-2	Video set Siedle Basic	101
SET CVSG 850-1	Smart Gateway starter kit for surface mounting	105
SFC 602-0	Switching-/remote controller	83
SG 150-0	Smart Gateway	48, 105
SG 650-0	Smart Gateway Professional	48
SM 611-01	Lock module	291
SNG 850-0	Set line rectifier	100-101, 105
TCIP 603-03 DE/FR/NL	Door controller IP	293
TCIP 603-03 IT/ES	Door controller IP	293
TCIP 603-03 SE/EN/DK	Door controller IP	293
TLE 061-01	Custom-fit door loudspeaker	78
TLM 612-02	Door loudspeaker module	78
TM 612-1	Call button module	79
TM 612-2	Call button module	79
TM 612-3	Call button module	79
TM 612-4	Call button module	79
TÖ 615-0	Door release	27, 41, 68, 82
TÖ 618-0 E	Door release	27, 41, 68, 82
TR 602-01	Transformer	27, 41, 68, 82, 294
TR 602-1 USA	Transformer	27, 41, 294
TR 603-0	Transformer	27, 41, 68, 82, 99, 294
VA/GU 511-0	Vario adapter	145
VA/GU 512-0	Vario adapter	145
VA/GU 513-0	Vario adapter	145, 277
VA/GU 514-0	Vario adapter	145
VA/GU 524-0	Vario adapter	145
VIB 150-0	Video indoor station Siedle Basic	38, 101
VNG 602-02	Video line rectifier	41, 68, 294
VNG 602-12 USA	Video line rectifier	294
ZAM 600-01	Status display module	22, 34
ZAR 850-0	Interfacing relay accessory	25
ZARF 850-0	Handsfree interfacing relay accessory	25
ZD 061-10	Accessory diode	78
ZDS 601-0	Anti-pilfer accessory	37, 294

Type	Designation	Page
ZDS/CL	Pilfer safeguard	213-214, 219, 223
ZE/KS/KSF 611-0	Ground element accessory	151, 153, 187, 197
ZE/SR 611-0	Ground element accessory	182, 187, 191, 197
ZE/STL 168 x 168	Ground element accessory	248, 251
ZE/STL 308 x 308	Ground element accessory	248
ZE/STL 462 x 462	Ground element accessory	249
ZE/STL 518 x 462	Ground element accessory	250
ZERT 811-0	Storey call accessory	99
ZES/LS 611-0	Ground spike accessory for light pedestal 604-1	153
ZHB 612-0	Hollow wall fastening accessory	143
ZPS 850-0	Parallel switching accessory	25
ZPSF 850-0	Handsfree parallel switching accessory	25
ZRE 600-0	19 inch rack mounting accessory	69
ZSB 611-0	Formwork wall fastener accessory	141
ZT 811-01	Table-top accessory	281
ZTC 800-0	Comfort table-top accessory	25, 81
ZTCV 850-0	Table-top accessory video	39
ZTL 051-0	Universal mounting adapter	22, 34, 78
ZTS 800-01	Standard table-top accessory	25, 81
ZTVP 850-0	Table-top accessory	39
ZWA 640-0	Western socket accessory	26, 40

Glossary of key terms

Designation	Page	Designation	Page
19 inch rack mounting accessory	69	Electronic-key reading module	291
Access camera 130 for Siedle Vario	62	Entrance controller	292
Access camera 180 for Siedle Vario	62	Entrance controller extension	292
Access camera 80 for Siedle Vario	62	External colour CCD video camera for external mounting	37, 63
Access custom-fit door loudspeaker incl. Bus call button matrix	60	Fingerprint module	291
Access door loudspeaker controller extension	60	Flush-mount housing	141
Access door loudspeaker controller with line rectifier	60	Flush-mount housing Siedle Classic	212
Access door loudspeaker module	60	Flush-mount letterbox housing	175
Access door loudspeaker module Plus	60	Formwork wall fastener accessory	141
Access gateway	69	Free-standing communication pedestal	150
Access in-house telephone	64	Free-standing letterbox with upright columns	181
Access Interface analog-video standard	63	Function unit audio door station Siedle Classic	212
Access line rectifier	49, 105	Function unit letterbox front removal audio Siedle Classic	221
Access server hardware	69	Function unit letterbox front removal Siedle Classic	220
Access standard handsfree telephone	64	Function unit letterbox front removal video Siedle Classic	222
Access standard video handsfree telephone	64	Function unit pass-through letterbox audio Siedle Classic	217
Access table-top accessory	64	Function unit pass-through letterbox Siedle Classic	216
Access video decoupler	68	Function unit pass-through letterbox video Siedle Classic	218
Access video in-house telephone	64	Function unit video door station Siedle Classic	213
Access video panel	65	Ground element accessory	151, 153, 187, 197
Accessory diode	78	Ground spike accessory for light pedestal 604-1	153
Adapter plate	271	Group controller	83
Analogue in-house telephone	281	Handsfree interfacing relay accessory	25
Anti-pilfer accessory	37, 294	Handsfree parallel switching accessory	25
Anti-pilfer controller	37, 294	Hollow wall fastening accessory	143
Asymmetrical bus video distributor	42	Info sign module	125
Audio indoor station Siedle Basic	24, 100	Information module	124
Audio set Siedle Basic	100	Interfacing relay	83
Audio-Set Siedle Compact	99	Interfacing relay accessory	25
Bus audio decoupler	42	LED light module	126
Bus audio/video distributor asymmetrical top hat rail	42	LED spot	126
Bus call button matrix	22, 34, 60	LED surface area light	127
Bus call button module	23, 35, 61	Letter flap	167, 277
Bus camera 130 for Siedle Vario	36	Letterbox flush-mount housing Siedle Classic	220
Bus camera 180 for Siedle Vario	36	Letterbox module with pass-through flap	157, 175, 181, 187, 278
Bus camera 80 for Siedle Vario	36	Light pedestal	153
Bus custom-fit door loudspeaker incl. Bus call button matrix	22, 34	Line rectifier	27, 41, 82
Bus door loudspeaker module	22, 34	Lock module	291
Bus door loudspeaker module Plus	22, 34	Mounting adapter for LED surface light	157, 182, 187, 191, 197
Bus input module	28, 43	Mounting frame	132, 141
Bus input module top hat rail	28, 43	Mounting plate	267
Bus interface module	26, 40	Movement sensor module	126
Bus line rectifier	26	Orientation sign	266
Bus secondary signal unit	25, 39	Orientation sign arrow	266
Bus switching module	28, 43	Orientation sign baby changing room	266
Bus switching unit	28, 43	Orientation sign cafeteria	267
Bus switching unit top hat rail	28, 43	Orientation sign cloakroom	266
Bus video demodulator	45	Orientation sign conference	266
Bus video distributor asymmetrical top hat rail	42	Orientation sign ladies	267
Bus video distributor symmetrical top hat rail	42	Orientation sign ladies' shower	266
Bus video line rectifier	40	Orientation sign lavatory	266
Bus video modulator	37	Orientation sign library	267
Bus video panel	38	Orientation sign men	267
Call button module	79	Orientation sign men's shower	266
Code lock module	23, 35, 61, 291	Orientation sign no smoking	266
Combination frame	142	Orientation sign restaurant/canteen	267
Comfort bus telephone	24	Orientation sign shower	267
Comfort bus telephone with colour monitor	38	Orientation sign smoking	267
Comfort handsfree bus telephone intercom	24	Parallel switching accessory	25
Comfort in-house telephone	80	Pass-through letterbox for mounting in masonry	167
Comfort table-top accessory	25, 81	Pass-through letterbox for mounting in masonry Siedle Classic	216
Communication pedestal	150	Pilfer safeguard	213-214, 219, 223
Controller door release	83	Plaster trim	167
Custom-fit door loudspeaker	78	Power line rectifier	41, 68, 127, 153
Disabled orientation sign	267	Programming interface RS232	292
Display call module	23, 35, 61	Programming interface USB	26, 40, 292
Door controller IP	293	Remote switching and control module	293
Door loudspeaker module	78	Secondary signal controller	81
Door release	27, 41, 68, 82	Secondary signal unit	281
DoorCom Analog	29, 44	Set line rectifier	100-101, 105
DoorCom switching/remote control interface	29, 44, 84	Siedle Axiom for furniture mounting	92
Dummy module	124	Siedle Axiom for furniture mounting with receiver	92
Electronic key	291		
Electronic key card	291		

Designation	Page
Siedle Axiom for table-top mounting	92
Siedle Axiom for table-top mounting with receiver	92
Siedle Axiom for wall mounting	18, 92
Siedle Axiom for wall mounting with receiver	18, 92
Siedle Classic door station audio	268
Siedle Classic pass-through letterbox front audio	272
Siedle Compact audio door station	100, 111
Siedle Compact audio door station flush mounting	111
Siedle Compact video door station	101
Siedle Compact video door station flush mounting	105, 111
Siedle IQ HTA	281
Siedle IQ HTS	80
Smart Gateway	48, 105
Smart Gateway Professional	48
Smart Gateway starter kit for surface mounting	105
Space-saving letterbox with removal from the front	191
Standard bus telephone	24
Standard bus telephone with colour monitor	38
Standard in-house telephone	80, 99
Standard table-top accessory	25, 81
Status display module	22, 34
Storage compartment module	157, 175, 181, 187
Storey call accessory	99
Storey controller	83
Surface-mount communication display	135
Surface-mount housing	131
Surface-mount letterbox module housing	157
Surface-mounted space-saving letterbox	161
Switching controller extension	293
Switching-/remote controller	83
Symmetrical bus video distributor	42
System-free camera 130 for Siedle Vario	36
System-free camera 180 for Siedle Vario	36
System-free camera 80 for Siedle Vario	36
Table-top accessory	281
Table-top accessory video	39
Transformer	27, 41, 294
Universal mounting adapter	22, 34, 78
Vario adapter	145
Video indoor station Siedle Basic	38, 101
Video line rectifier	294
Video set Siedle Basic	101
Western socket accessory	26, 40

Customer support and customer advice



Qualified contacts are on hand to offer a fast, professional service.

By telephone, or if required we will be pleased to visit you on site.

Customers and sales partners outside of Germany should contact one of our international representatives.

The current overview broken down according to regions is located in the download area on www.siedle.com/contact

Visit us at our studio in Munich and discover the digital solutions that can be created for doors. We look forward to welcoming you!

Furtwangen factory



Monday through Thursday
from 7.30 a.m. to 5.00 p.m.
Friday up to 4.00 p.m.

Order processing

Tel. +49 7723 63-451
Fax +49 7723 63-72451
offers@siedle.de

Technical hotline

Tel. +49 7723 63-434
Fax +49 7723 63-72451
offers@siedle.de

Services and information

Siedle website
www.siedle.com

SSS SIEDLE

S. Siedle & Söhne

Postfach 1155
78113 Furtwangen

Bregstraße 1
78120 Furtwangen

Telefon +49 7723 63-0
Telefax +49 7723 63-300
www.siedle.de
info@siedle.de

Quality certification
to DIN EN ISO 9001:2000

Environmental certification
to DIN EN ISO 14001:2005

Made in Germany